



flat diffuser

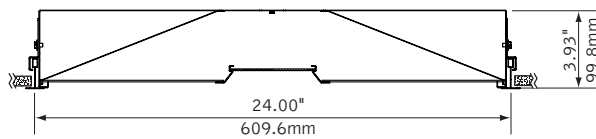


radial diffuser



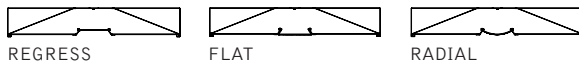
suspended or surface mount

DIMENSIONAL DATA



Overall height of luminaire with Air Return is 4.58"

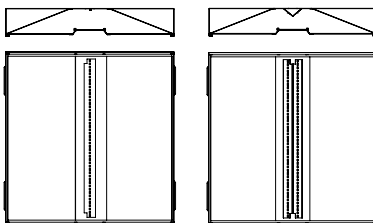
shielding options



led options

Standard

High Efficiency



1 LED board

2 LED boards

FEATURES

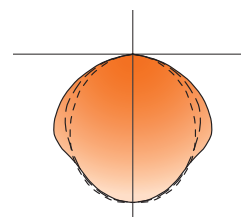
High efficacy architectural recessed LED luminaire.

Premium LEDs operate efficiently to achieve excellent thermal management and reliable operation.

Three distinctive aesthetics offer contemporary styling and complement architecture.

MicroGroove diffusers add texture and visual interest with a ribbed pattern that diffuses brightness and provides soft, even illumination.

PERFORMANCE



PRODUCT OVERVIEW

Lumen Output:	2000-4000lm
Wattage:	19-41W
LPW:	91-105
SDCM:	3

High Performance
2500 Lumens (2500LH)
Regress Acrylic Diffuser

Delivered Lumens: 2500lm

Total System Watts: 24W

Photometric performance is measured in accordance with IESNA LM-79.
Visit focalpointlights.com for complete photometric data.

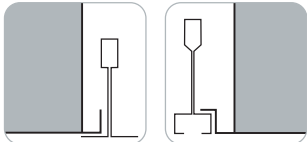
fixture:

project:

MOUNTING INFORMATION

grid

specify "G" for flat 9/16" and 15/16" tee or "ST" for 9/16" slot tee grid types.

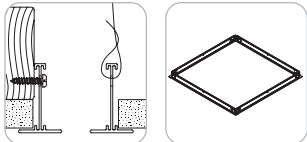


"G" flat tee
Luminaires may be installed in T-bar ceiling systems up to 1 11/16" high*.

"ST" slot tee

drywall frame kit

specify "DF" Drywall Frame Kit for drywall ceiling conditions.



Use tie-wire or screws to secure frame kit.

cut out dimensions:
2": Min: 24.25"
Max: 24.563"

SPECIFICATIONS

LED System

Proprietary linear LED module incorporates premium LEDs on a robust platform to achieve excellent thermal management. LEDs are placed to promote a uniform appearance. Available in 2700K, 3000K, 3500K or 4000K with CRI>80 or CRI>90, 3SDCM. 0-10V dimming driver standard. LED modules and drivers are replaceable from below.

Construction

One piece 20 Ga. steel reflector and housing. 20 Ga. steel ends. Bottom access 20 Ga. Steel driver compartment. Positional brackets supplied as standard. Weight: 17 lbs.

Optic

20 Ga. steel reflectors finished in matte satin white powder coat. .095" thick frosted white acrylic lamp diffusers with linear micro-prism pattern.

Electrical

Standard 120-277V driver includes 0-10V analog dimming. Power factor > .9. Optional EcoSystem or forward phase dimming drivers from Lutron available.

Emergency Battery

Bodine BSL310-CAN. Emergency output—10 watts for 90 minutes. Maximum mounting height: 18ft.

Labels

UL and cUL listed. Suitable for Dry or Damp Locations, indoor use only.

Finish

Polyester powder coat applied over a multi-stage pre-treatment.

Lumen Maintenance

Reported: L70 at >60,000 hours Calculated: L70 at 153,000 hours
 L80 at >60,000 hours L80 at 96,000 hours
 (Derived from EPA TM-21 calculator. Based on typical conditions, consult factory for additional data.)

Reliability

At Focal Point, our products are designed to stand the test of time. Each luminaire is engineered using superior components, manufactured with the utmost care and rigorously tested. Contact us for reliability data.

Warranty

LED system rated for operation in ambient environments up to 25°C. 5-year limited warranty.

PERFORMANCE CHART

Delivered Lumens		Tested System Watts	LPW
2000 Lumens	2000L	19	105
	2500L	26	96
2500 Lumens	2500LH	24	104
	3000L	33	91
3000 Lumens	3000LH	30	100
	3500LH	36	97
4000 Lumens	4000LH	41	98

Based on 3500K, 80 CRI. Lumen multiplier: 90+ CRI = 0.87. Lumen output may vary +/- 5%. Actual wattage may vary +/- 5%

ORDERING

Luminaire Series		FVRL
Veer LED	FVRL	
Nominal Size		22
2' x 2'	22	
Shielding		
Radial Acrylic Diffuser	ACR	
Flat Acrylic Diffuser	ACF	
Regress Acrylic Diffuser	ACG	
Lumen Output		
Standard		
2000 Lumens	2000L	
2500 Lumens	2500L	
3000 Lumens	3000L	
High Efficiency		
2500 Lumens	2500LH	
3000 Lumens	3000LH	
3500 Lumens	3500LH	
4000 Lumens	4000LH	
Color Temperature		
2700K, 80+ CRI or 90+ CRI	27K or 927K	
3000K, 80+ CRI or 90+ CRI	30K or 930K	
3500K, 80+ CRI or 90+ CRI	35K or 935K	
4000K, 80+ CRI or 90+ CRI	40K or 940K	
Circuits		1C
Single Circuit	1C	
Voltage		
120 Volt	120	
277 Volt	277	
UNV Volt	UNV	
Control System & Dimming Level		
0-10V - 1% Dimming	L11	
0-10V - 10% Dimming	LD1	
Lutron Hi-Lume - Forward Phase - 1% Dimming (120 only)	LTE	
Step Dimming	SD5	
DALI Dimming (Consult factory)		
Mounting		
24" Aircraft Cable	C24	
48" Aircraft Cable	C48	
96" Aircraft Cable	C96	
Drywall Frame Kit (Cut out dimensions: Min: 12.25"/Max: 12.563" Min: 48.25"/Max: 48.563")	F	
Grid	G	
Slot Tee	ST	
Surface Mount	SM	
Factory Options		
Air Return (Overall height with Air Return is 4.58")	AR	
Chicago Plenum	CP	
Emergency Battery Pack with Integral Test Switch	EM	
6' New York City Flex Whip	FNY	
6' Flex Whip (Sensor options available - consult factory)	FW	
Finish		WH
Matte Satin White	WH	



Options in orange qualify for the Quickship program. 10-day up to 100 pieces. Refer to Quickship Guide for complete details.