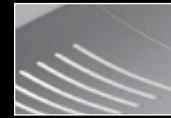


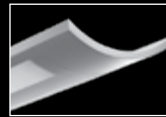
perforated



slotted

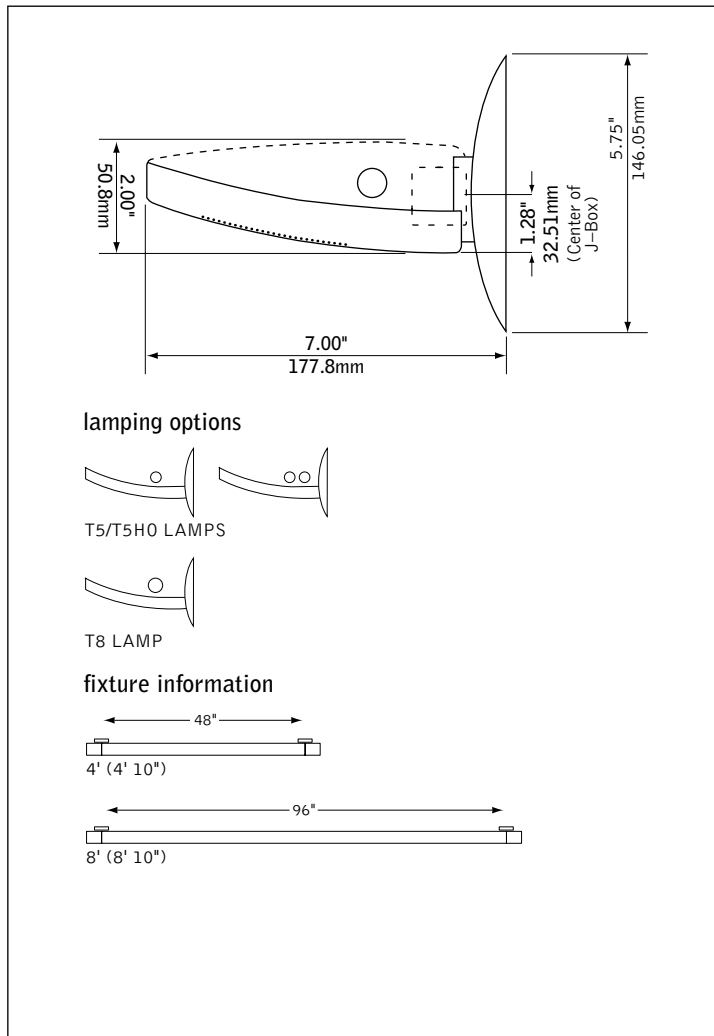


solid



suspended companion

DIMENSIONAL DATA



FEATURES

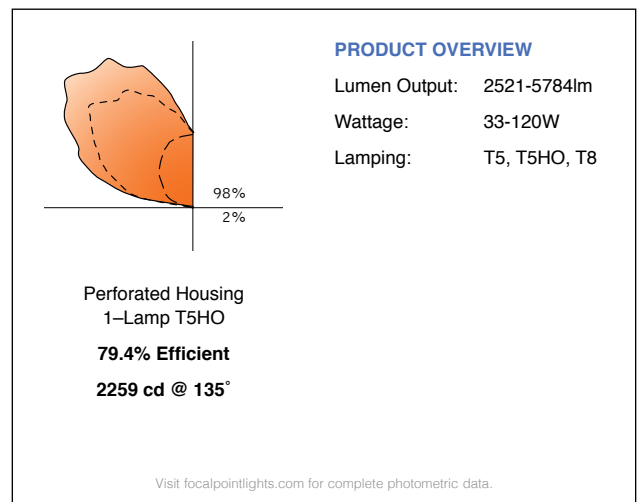
Wall mounted indirect asymmetric fluorescent with contoured housing and end caps.

Elegant wall-mount version of Focal Point's suspended Verve™ II.

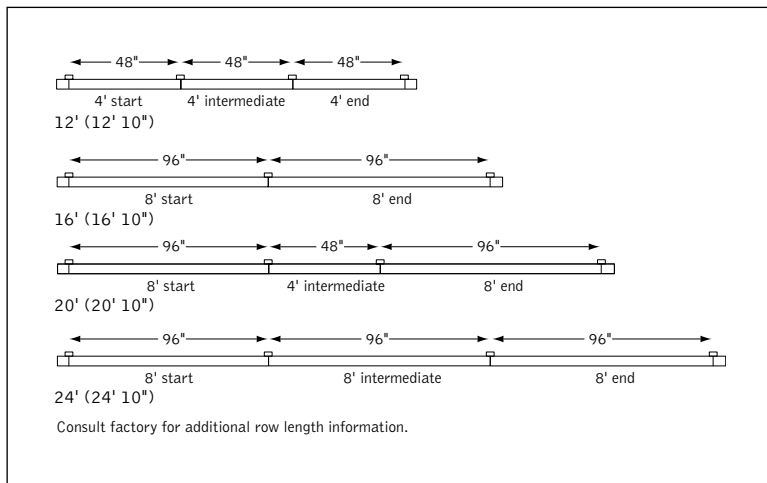
One-piece steel housing with 5" die-cast end caps.

Verve™ is an excellent choice for any open or private office.

PERFORMANCE



MOUNTING INFORMATION



SPECIFICATIONS

Construction

One-piece 20 Ga. steel housing available solid or with perforated or slotted pattern. Perforated or slotted housing includes white acrylic insert. Die-cast 5" end cap fastened to housing. For row installation, internal brackets form hairline joint. Standard lengths are available in 4' and 8'. All luminaires are provided with mounting brackets. 4' unit weight: 15 lbs., 8' unit weight: 22 lbs.

Optic

Die-formed 24 Ga. steel reflector, finished in high reflectance white powder coat (93% min. reflectance).

Electrical

Luminaires are pre-wired with factory installed branch circuit wiring and over-molded quick connects. Electronic ballasts are thermally protected and have a Class "P" rating. Optional dimming ballasts available.

Labels

UL and cUL listed.

Finish

Polyester powder coat applied over a multi-stage pre-treatment. Mounting arm and brackets finished to match housing.

ORDERING

| | | <u>FV2W</u> |
|---|----------|-------------|
| Fixture Series | Verve II | FV2W |
| Shielding | | |
| Perforated Housing | PS | |
| Slotted Housing | SL | |
| Solid Housing | SD | |
| Lamping | | |
| 1 Lamp T5 | 1T5 | |
| 1 Lamp T5HO | 1T5HO | |
| 2 Lamp T5 | 2T5 | |
| 2 Lamp T5HO | 2T5HO | |
| 1 Lamp T8 | 1T8 | |
| Circuit | | |
| Single Circuit | 1C | |
| Dual Circuit | 2C | |
| <small>(Multiple lamp luminaires only)</small> | | |
| Voltage | | |
| 120 Volt | 120 | |
| 277 Volt | 277 | |
| 347 Volt | 347 | |
| <small>(Consult factory for dimming options)</small> | | |
| 120/277 UNV | UNV | |
| <small>(Not available with 1-lamp T5HO dimming or EM)</small> | | |
| Ballast | | |
| Electronic Program Start <10% THD | S | |
| 0-10V | D7 | |
| Lutron 1% 3-wire | DH | |
| Lutron 1% H-Series | DK | |
| Mounting | | <u>WM</u> |
| Wall Mount | WM | |
| Factory Options | | |
| Dust Cover | DC | |
| Emergency Circuit* | EC | |
| Emergency Battery Pack* | EM | |
| HLR/GLR Fuse | FU | |
| Include 3000K Lamp* | L830 | |
| Include 3500K Lamp* | L835 | |
| Include 4100K Lamp* | L841 | |
| <small>(Sensor options available—consult factory)</small> | | |
| Finish | | |
| Matte White Housing | WH | |
| Titanium Silver | TS | |
| Luminaire Length | | |
| 4' | 4' | |
| 8' | 8' | |
| 12' | 12' | |
| 16' (8'+8') | 16' | |
| 20' (12'+8') | 20' | |
| 24' (12'+12') | 24' | |