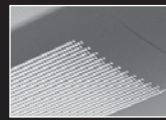
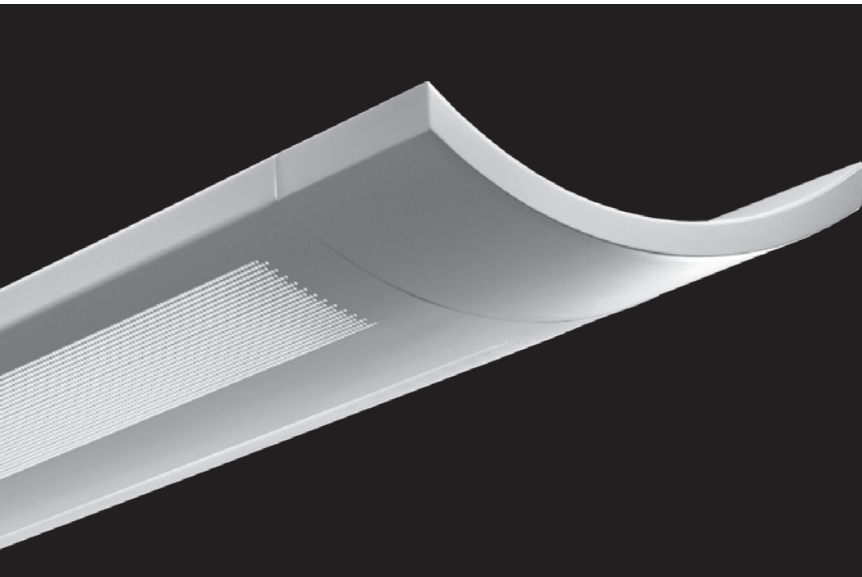


Verve™ II XP

FLUORESCENT HIGH PERFORMANCE



perforated

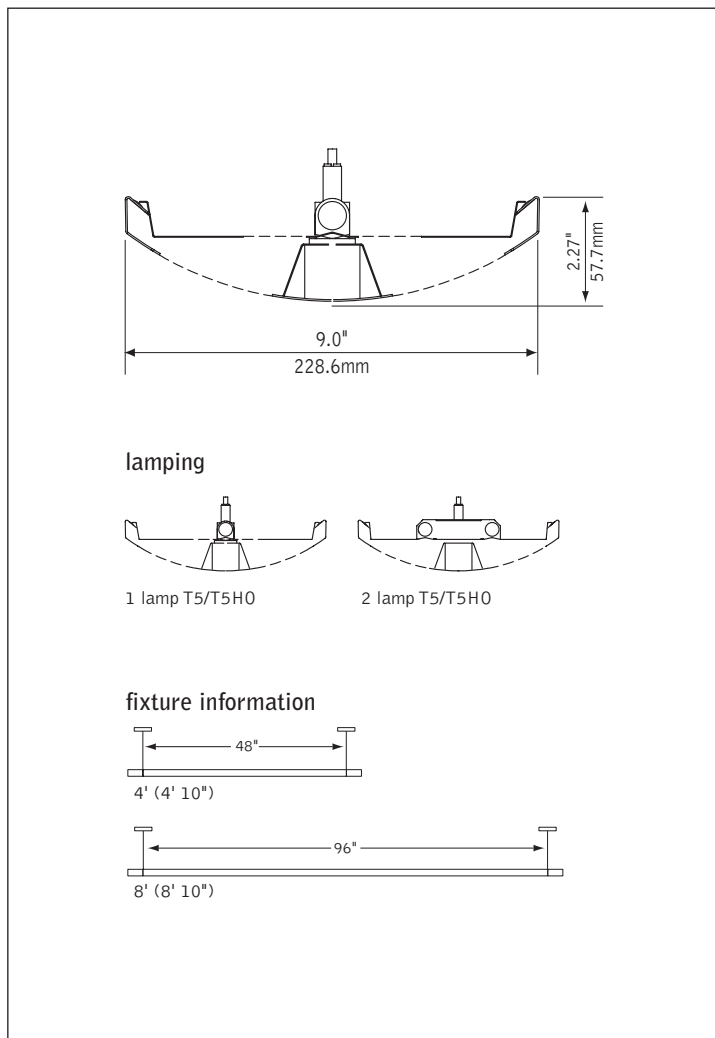


slotted



solid

DIMENSIONAL DATA



FEATURES

Suspended linear indirect fluorescent with contoured housing and end caps.

High performance optic for close to ceiling mounting.

One-piece steel housing with 5" die-cast end caps.

Verve™ is an excellent choice for any open office application.

PERFORMANCE

PRODUCT OVERVIEW

Lumen Output: 2610-9000m

Wattage: 33-120W

Lamping: T5, T5HO

Slotted Housing
1-Lamp T5HO

90% Efficient

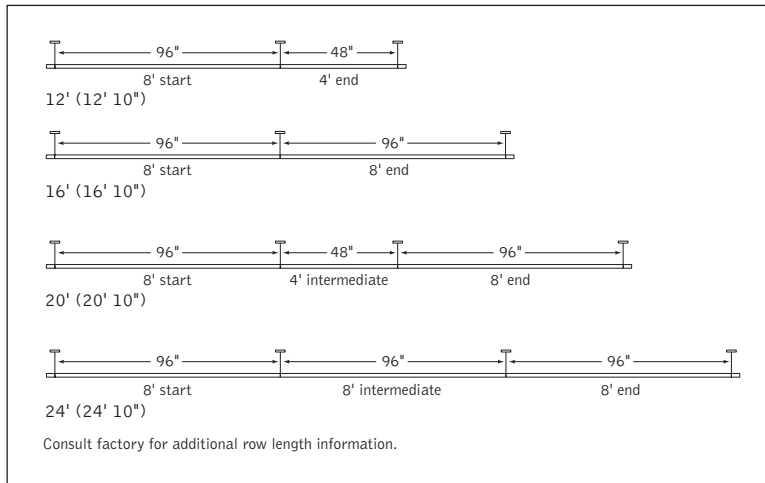
1398 cd @ 115°

Visit focalpointlights.com for complete photometric data.

fixture:

project:

SUSPENSION INFORMATION



SPECIFICATIONS

Construction

One-piece 20 Ga. steel housing available solid or with perforated or slotted pattern. Perforated or slotted housing includes white acrylic insert. Die-cast 5" end cap standard. Optional short 1" end cap also available. For row installation, internal brackets form hairline joint. Standard lengths are available in 4' and 8'. All luminaires are provided with single point aircraft cable suspension mounted on 48" or 96" centers. 4' unit weight: 20 lbs., 8' unit weight: 30 lbs.

Optic

Die-formed .020 semi-specular aluminum and 20 Ga. steel.

Electrical

Luminaires are pre-wired with factory installed branch circuit wiring and over-molded quick connects. Factory installed SJT power cord at feed location is included. Electronic ballasts are thermally protected and have a Class "P" rating. Optional dimming ballasts available.

Labels

UL and cUL listed.

Finish

Polyester powder coat applied over a multi-stage pre-treatment. Canopy finished in Matte Satin White.

ORDERING

		FV2SXP
Fixture Series	Verve II	FV2SXP
Shielding		
Perforated Housing	PS	
Slotted Housing	SL	
Solid Housing	SD	
Lamping		
1 Lamp T5	1T5	
2 Lamp T5	2T5	
1 Lamp T5HO	1T5HO	
2 Lamp T5HO	2T5HO	
Circuit		
Single Circuit	1C	
Dual Circuit	2C	
<small>(Multiple lamp luminaires only)</small>		
Voltage		
120 Volt	120	
277 Volt	277	
347 Volt	347	
<small>(Consult factory for dimming options)</small>		
	120/277 UNV	UNV
<small>(Not available with 1-lamp T5HO dimming or EM)</small>		
Ballast		
Electronic Program Start <10% THD	S	
0-10V	D7	
Lutron 1% 3-wire	DH	
Lutron 1% H-Series	DK	
Mounting		
24" Cable Suspension	C24	
48" Cable Suspension	C48	
96" Cable Suspension	C96	
<small>(Add "P" for Chicago plenum. Eg: CP12) (Specify one of the following in place of "C" J - for 2" canopies at non-feed locations. CS - for sloped ceilings.)</small>		
Factory Options		
Dust Cover	DC	
Emergency Circuit*	EC	
Emergency Battery Pack*	EM	
HLR/GLR Fuse	FU	
Short 1" end cap	SE	
Include 3000K Lamp*	L830	
Include 3500K Lamp*	L835	
Include 4100K Lamp*	L841	
<small>(Sensor options available - consult factory)</small>		
Finish		
Matte White Housing	WH	
Titanium Silver	TS	
Luminaire Length		
4'	4'	
8'	8'	
12' (8'+4')	12'	
16' (8'+8')	16'	
20' (8'+4'+8')	20'	
24' (8'+8'+8')	24'	