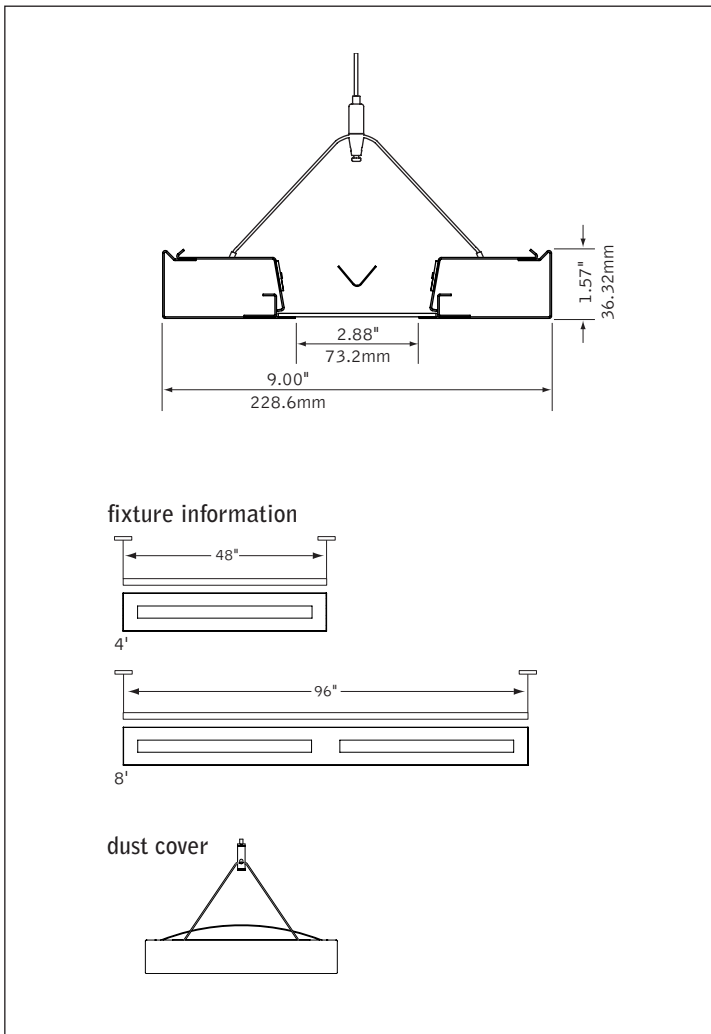


acrylic diffuser



microglow

## DIMENSIONAL DATA



## FEATURES

Low profile suspended direct/indirect LED luminaire.

Excellent choice for lower ceiling applications and areas where ceiling uniformity is important.

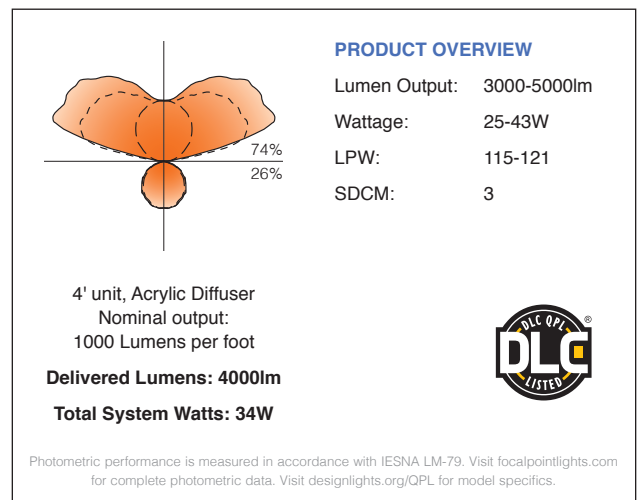
Features Gradient Optic which softens cut-off line on surrounding walls and other vertical structures.

MicroGlow lens offers cutoff & brightness control to support comfortable environments.

35% energy savings over comparable fluorescent versions.

Connected Solutions: Integrates with wired and wireless building lighting control systems.

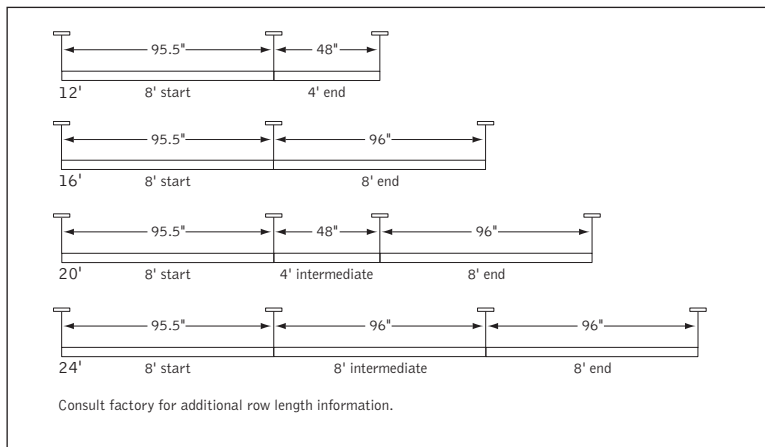
## PERFORMANCE



fixture:

project:

## SUSPENSION INFORMATION



## SPECIFICATIONS

### LED Systems

Linear LED module incorporates premium LEDs on a robust platform to achieve excellent thermal management. Available in 3000K, 3500K, 4000K with CRI>80, 3SDCM. LED boards and drivers are replaceable.

### Construction

One-piece 20 Ga. steel housing. Steel end caps attach flush to housing. For row installation, internal brackets form hairline joint. All luminaires are provided with Y-cable suspension mounted on 48" or 96" centers. 4' unit weight: 22 lbs., 8' unit weight: 40 lbs.

### Optic

Reflector fabricated of 22 Ga. steel finished in high reflectance matte white. 24 Ga. steel beam softening filter finished in matte white powder coat. .125" thick acrylic lens.

### Electrical

Luminaires are pre-wired with factory installed branch circuit wiring and over-molded quick connects. Standard 120-277V constant current driver includes 0-10V analog dimming. Power factor > .9.

### Emergency

IOTA CP12. Emergency output —12W for 90 minutes. Maximum mounting height: 11.25ft. Emergency Circuit maximum mounting height: 15.00ft.

### Labels

UL and cUL listed. Suitable for Dry or Damp Locations, indoor use only.

### Finish

Polyester powder coat applied over a multi-stage pre-treatment. Canopy finished in Matte Satin White.

### Lumen Maintenance

Reported: L70 at >60,000 hours      Calculated: L70 at 130,000 hours  
 Reported: L90 at 40,000 hours      Calculated: L90 at 40,000 hours  
 Derived from EPA TM-21 calculator. Based on typical conditions, consult factory for additional data.

### Reliability

At Focal Point, our products are designed to stand the test of time. Each luminaire is engineered using superior components, manufactured with the utmost care and rigorously tested. Contact us for reliability data.

### Warranty

LED system rated for operation in ambient environments up to 25°C. 5-year limited warranty.

## 4' PERFORMANCE CHART

Lumens per Foot	Delivered Lumens	Tested System Watts	LPW
750LF	3000	25	121
875LF	3500	29	120
1000LF	4000	34	118
1125LF	4500	38	117
1250LF	5000	43	115

Based on 3500K. Color Temperature multipliers: 3000K - 1.035, 4000K - 0.975. \*Lumen output may vary +/- 5%. Actual wattage may vary +/- 5%

## ORDERING

### Fixture Series

Twelve LED FTWLS

### Shielding

Acrylic Diffuser AC

MicroGlow Prismatic Lens MG

### Lumen Output

750 Lumens per foot 750LF  
 875 Lumens per foot 875LF  
 1000 Lumens per foot 1000LF  
 1125 Lumens per foot 1125LF  
 1250 Lumens per foot 1250LF

### Color Temperature

3000K 30K  
 3500K 35K  
 4000K 40K

### Circuits

Single Circuit 1C

### Voltage

UNV 120/277 Volt UNV  
 347 Volt 347  
(LD1 only)

### Control System & Dimming Level

0-10V - 1% Dimming L11  
 0-10V - 10% Dimming LD1  
 Lutron Hi-Lume EcoSystem (LDE1) - 1% Dimming LH1  
 Lutron 5-Series EcoSystem (LDE5) - 5% Dimming LU5  
 DALI - 1% Dimming D11  
 Step Dimming SD5  
(Not available with 750LF)  
 Acuity nLight - 1% Dimming NLT1  
 Enlighted Smart Sensor - 1% Dimming ENL1  
 Osram Connected Lighting Module for ENCELIIUM systems - 1% Dimming CLM1  
(Compatible with Osram ENCELIIUM and ENCELIIUM EDGE systems only)  
 Osram Connected Lighting Module for ZigBee Wireless Networks - 1% Dimming CLMZ1  
(Not compatible with Osram ENCELIIUM systems)  
 Wattstopper DLM - 1% Dimming DLM1

### Mounting

12" Cable Suspension J12  
 24" Cable Suspension J24  
 48" Cable Suspension J48  
 96" Cable Suspension J96

(Add "P" for Chicago plenum. Eg: JP12, CP12)  
 (Specify one of the following in place of "J"  
 C - for 5' canopies at non-feed locations.  
 CS - for sloped ceilings.)

### Stem Mount

S  
(Specify stem length in inches Standard stem lengths 6, 12, 18, 24, 36, 48". White stems and canopies supplied standard. For non-white housings: to match stem and housing, add M to ordering code (S12M). To match stem, canopy and housing, add MC to ordering code (S12MC)

### Factory Options

Dust Cover DC  
 Emergency Circuit EC  
 Emergency Battery EM

### Finish

Titanium Silver TS  
 Matte Satin White WH

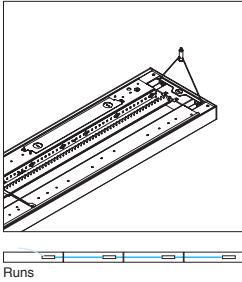
### Fixture Run Length

4' 4'  
 8' 8'  
 12' (8'+4') 12'  
 16' (8'+8') 16'  
 20' (8'+4'+8') 20'  
 24' (8'+8'+8') 24'  
(Individual units may not be field modified for continuous row mount)



Options in orange qualify for the Quickship program. 400' total. Emergency battery located in last 4' section. Refer to Quickship Guide for complete details.

Focal Point provides flexibility in meeting the needs of each project by integrating with several building lighting control systems. A variety of sensors, drivers and other components can be specified that allow the luminaires to communicate with wired and wireless networks. All zoning can be digitally reconfigured through the application software. Daylight harvesting, occupancy sensing, integration with HVAC systems, and individual controls enable the monitoring and modulating of light levels and temperature in order to save energy, reduce costs and maximize occupants' comfort. All Connected Solutions luminaires require a compatible building control system.†

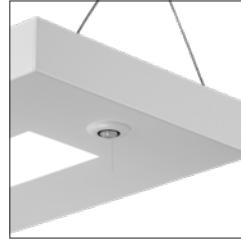


## nLIGHT

nLight® provides a two-way wired digital lighting system allowing for on/off and dimming functionality, occupancy sensing, and multi-zone daylight harvesting.

Acuity nLight - 1% Dimming (NLT1)  
Acuity Model #nEPS-60-IO

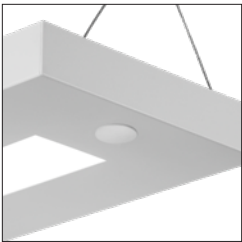
CAT-5 Cable provided between segments of a run. CAT-5 Cable provided by others at start of run. Serial labels will be provided on outside of luminaires and control unit.



## enlighted

Enlighted smart sensor allows for occupancy sensing, daylight harvesting, energy usage, temperature and light level control. Communicates wirelessly with the Enlighted network.

Enlighted Smart Sensor - 1% Dimming (ENL1)  
Enlighted Model #SU-4E-01

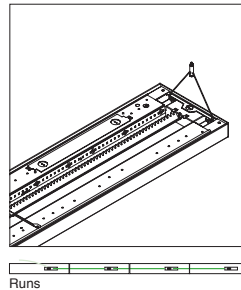


## OSRAM

Connected Lighting Module (CLM) enables each luminaire to be independently controlled and configured. Communicates wirelessly with Daintree Networks®, Osram ENCELIUM®, Osram ENCELIUM EDGE™, and other networks using the ZigBee® HA communication protocol to allow for on/off and dimming functionality, occupancy sensing and multi-zone daylight harvesting.

Osram CLM - 1% Dimming (CLM1 & CLMZ1)  
Osram Model #ZBHA-CLM DIM

Serial labels will be provided on outside of luminaires and control unit.

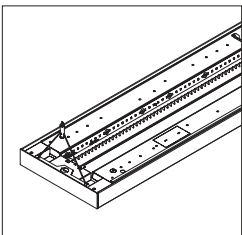


## legrand® WATTSTOPPER®

A Digital Lighting Management (DLM) system that provides two-way wired communication between networked luminaires and control system to allow for on/off and dimming functionality, occupancy sensing and multi-zone daylight harvesting.

Wattstopper DLM - 1% Dimming (DLM1)  
Wattstopper Model #LMFC-011

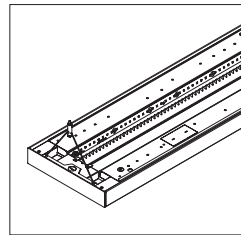
Segment Network Wire provided between segments of a run. Segment Network Wire provided by others at start of run. Serial labels will be provided on outside of luminaires and control unit.



## LUTRON®

A two-way digital network that enables on/off and dimming functionality, occupancy sensing, and multi-zone daylight harvesting working with Quantum®, Energi Savr Node™, and Energi TriPak® using EcoSystem® communication protocol.

Lutron Hi-Lume EcoSystem - 1% Dimming (LH1)  
Lutron Model #LDE1  
Lutron 5-Series EcoSystem - 5% Dimming (LU5)  
Lutron Model #LDE5



## CRESTRON®

A two-way digital network that enables on/off and dimming functionality, occupancy sensing, and multi-zone daylight harvesting. Communicates with Züm wireless and SpaceBuilder working with Züm hub scheduling or FUSION management.

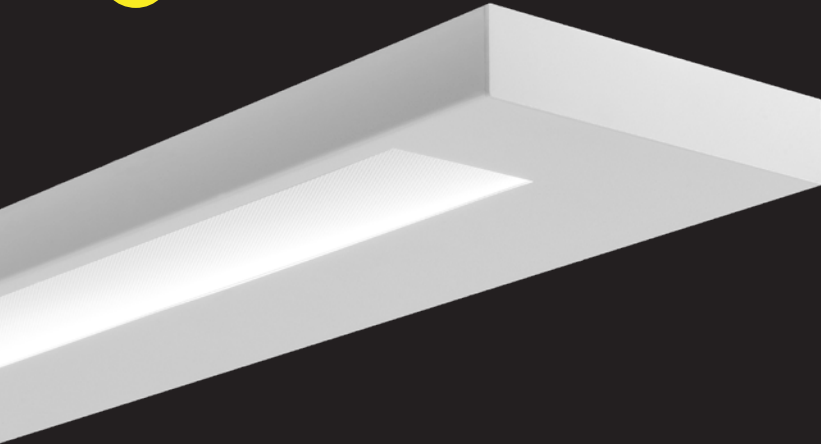
DALI - 1% Dimming (D11)  
0-10V - 1% Dimming (L11)

Note: 0-10V is not a digital network but is compatible with Creston Züm™ system.

### CONNECTED SOLUTIONS DETAILS

Connected Solution	Model #	Protocol	Compatible Networks*	Occupancy	Daylight	Temperature Reporting	Communication to Luminaire	Drivers
Acuity nLight (NLT1)	nEPS-60-IO**	nLight	nLight	Enabled	Enabled	No	Wired	<b>eldoLED ECOdrive</b> , eldoLED SOLOdrive
Crestron (D11, L11)	Specified Driver	DALI 0-10V	Crestron Züm Wireless & SpaceBuilder	Enabled	Enabled	No	Wired	<b>eldoLED ECOdrive (DALI)</b> , <b>Philips Xitanium (0-10V)</b>
Enlighted Smart Sensor (ENL1)	SU-4E-01**	Enlighted RF	Enlighted	Integrated	Integrated	Yes	Wireless	<b>Philips SimpleSet</b> , Osram Optotronic
Legrand Wattstopper DLM (DLM1)	LMFC-011**	DLM	DLM	Enabled	Enabled	No	Wired	<b>Philips SimpleSet</b> , Osram Optotronic
Lutron EcoSystem (LH1 & LU5)	LDE1**, LDE5**	EcoSystem	Quantum, Energi Savr Node, Energi TriPak	Enabled	Enabled	No	Wired	<b>Lutron Hi-Lume</b> <b>Lutron 5-Series</b>
Osram CLM for ENCELIUM systems (CLM1)	ZBHA-CLM**	ZigBee HA	Osram ENCELIUM & ENCELIUM EDGE	Enabled	Enabled	No	Wireless	<b>Osram Optotronic</b>
Osram CLM for ZigBee Wireless Networks (CLMZ1)	ZBHA-CLM**	ZigBee HA	Daintree Networks & open ZigBee Networks	Enabled	Enabled	No	Wireless	<b>Osram Optotronic</b>

\*Not all compatible networks may be listed. \*\*For performance data and additional control system details please visit the connected solutions manufacturer websites. Primary drivers are listed in bold. To specify a particular driver please consult factory. †Controls systems supplied by others.



acrylic diffuser

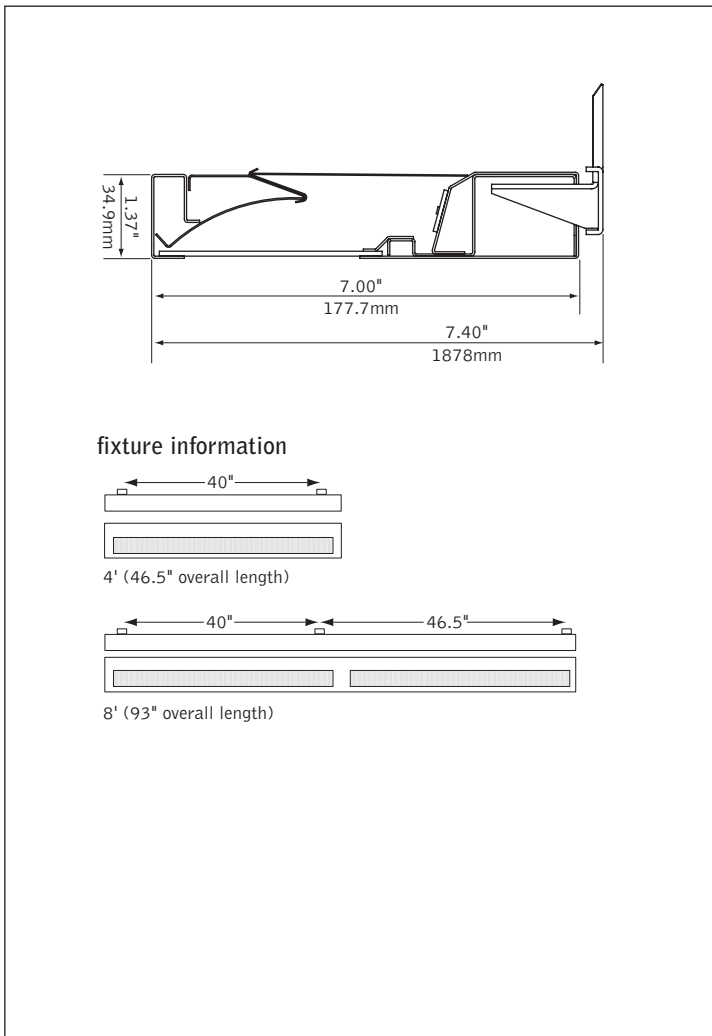


microglow



suspended companion

## DIMENSIONAL DATA



## FEATURES

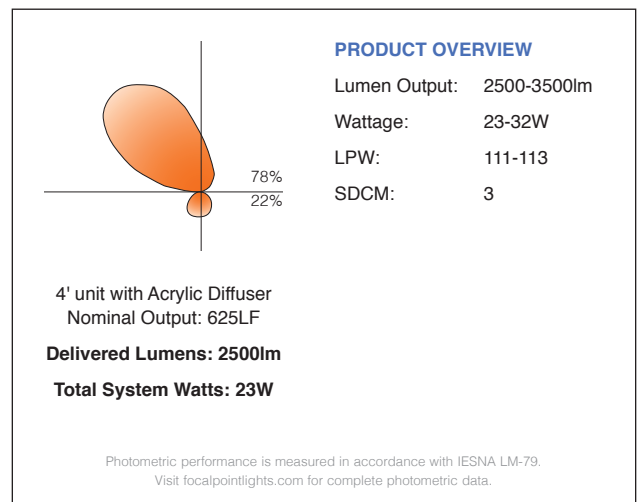
Low profile wall mount direct/indirect LED luminaire.

MicroGlow lens offers cutoff & brightness control to support comfortable environments.

Sleek rectilinear housing only 1.4" high.

Hidden mounting bracket creates the appearance of a floating luminaire.

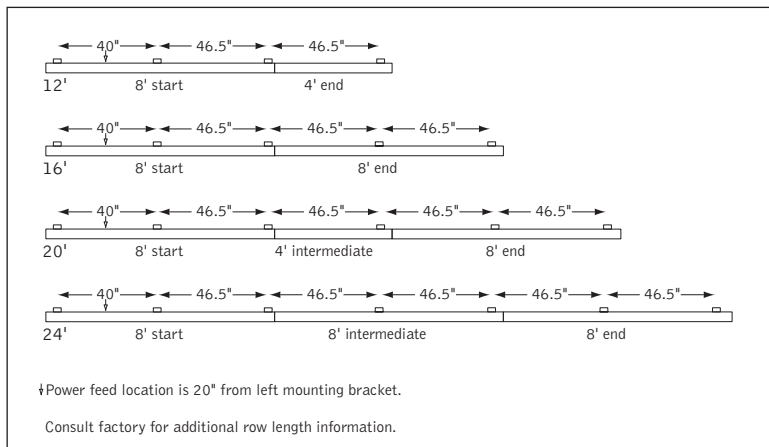
## PERFORMANCE



fixture:

project:

**DETAILS**



**SPECIFICATIONS**

**LED Systems**

Linear LED module incorporates premium LEDs on a robust platform to achieve excellent thermal management. Available in 3000K, 3500K, 4000K with CRI>80, 3SDCM. LED boards and drivers are replaceable.

**Construction**

One-piece 20 Ga. steel housing. Steel end caps attach flush to housing. For row installation, internal brackets form hairline joint. All luminaires are provided with mounting brackets. 4' unit weight: 22 lbs., 8' unit weight: 40 lbs.

**Optic**

Reflector fabricated of 22 Ga. steel finished in high reflectance matte white. 0.125" thick acrylic lens. Dust cover standard.

**Electrical**

Luminaires are pre-wired with factory installed branch circuit wiring and over-molded quick connects. Standard 120-277V constant current driver includes 0-10V analog dimming. Power factor > .9.

**Labels**

UL and cUL listed. Suitable for Dry or Damp Locations, indoor use only.

**Finish**

Polyester powder coat applied over a multi-stage pre-treatment. Canopy finished in Matte Satin White.

**Lumen Maintenance**

Reported: L70 at 60,000 hours      Calculated: L70 at 130,000 hours  
Derived from EPA TM-21 calculator. Based on typical conditions, consult factory for additional data.

**Reliability**

At Focal Point, our products are designed to stand the test of time. Each luminaire is engineered using superior components, manufactured with the utmost care and rigorously tested. Contact us for reliability data.

**Warranty**

LED system rated for operation in ambient environments up to 25°C. 5 year limited warranty.

**4' PERFORMANCE CHART**

Lumens per Foot	Delivered Lumens	Tested System Watts	LPW
625LF	2500	23	113
750LF	3000	27	112
875LF	3500	32	111

Based on 3500K. Color Temperature multipliers: 3000K - 1.035, 4000K - 0.975. \*Lumen output may vary +/- 5%. Actual wattage may vary +/- 5%

**ORDERING**

Fixture Series	FTWLW	FTWLW
Twelve LED	FTWLW	
<b>Shielding</b>		
Acrylic Diffuser	AC	
MicroGlow Prismatic Lens	MG	
<b>Lumen Output</b>		
625 Lumens per foot	625LF	
750 Lumens per foot	750LF	
875 Lumens per foot	875LF	
<b>Color Temperature</b>		
3000K	30K	
3500K	35K	
4000K	40K	
<b>Circuits</b>		<b>1C</b>
Single Circuit	1C	
<b>Voltage</b>		
UNV 120/277 Volt	UNV	
347 Volt <small>(LD1 only)</small>	347	
<b>Control System &amp; Dimming Level</b>		
0-10V - 1% Dimming	L11	
0-10V - 10% Dimming	LD1	
Lutron Hi-Lume EcoSystem (LDE1) - 1% Dimming	LH1	
Lutron 5-Series EcoSystem (LDE5) - 5% Dimming	LU5	
DALI - 1% Dimming	D11	
Step Dimming <small>(Not available with 625LF)</small>	SD5	
<b>Mounting</b>		<b>WM</b>
Wall Mount	WM	
<b>Finish</b>		
Titanium Silver	TS	
Matte Satin White	WH	
<b>Fixture Run Length</b>		
4'	4'	
8'	8'	
12' (8'+4')	12'	
16' (8'+8')	16'	
20' (8'+4'+8')	20'	
24' (8'+8'+8')	24'	

(Individual units may not be field modified for continuous row mount)