



recessed companion



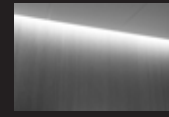
wall to ceiling companion



suspended companion

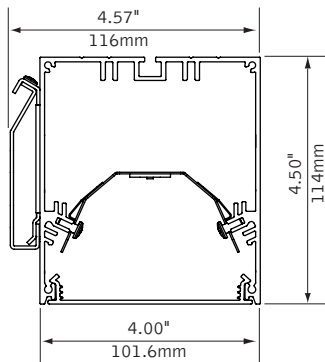


end detail



perimeter companion

## DIMENSIONAL DATA



note: requires 4"x2" handy box.

## FEATURES

Narrow extruded aluminum 4" wall mount direct LED.

Individual units and continuous runs in 1' increments.

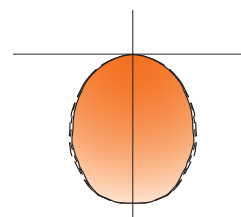
Frosted acrylic lens provides uninterrupted illumination, without pixels or shadows.

LED position and lens material optimized to provide the perfect blend of high performance and visual comfort.

Choice of output levels to meet a wide variety of application needs.

Preferred Light: Lighting for better color rendition and human preference.

## PERFORMANCE



4' Flush Lens  
Nominal output:  
375 Lumens per foot

**Delivered Lumens: 1690lm**  
**Total System Watts: 16W**

### PRODUCT OVERVIEW

Lumen Output: 1690-4240lm  
Wattage: 16-42W  
LPW: 101-109  
SDCM: 3

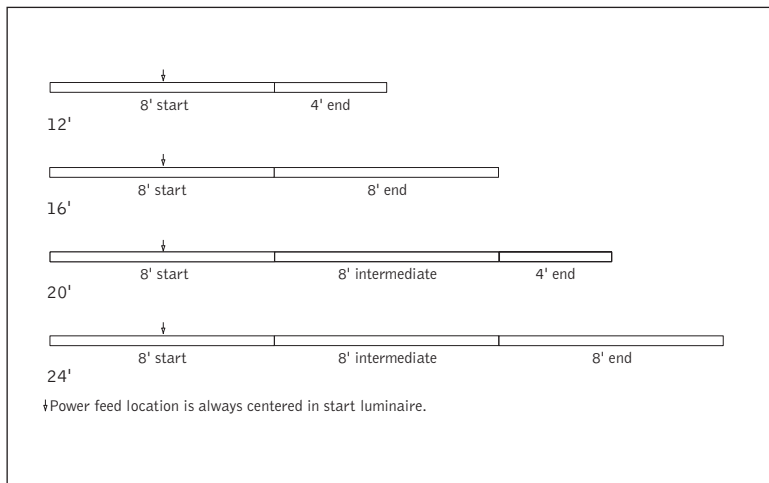


Photometric performance is measured in accordance with IESNA LM-79.  
Visit [focalpointlights.com](http://focalpointlights.com) for complete photometric data.

fixture:

project:

## MOUNTING INFORMATION



## SPECIFICATIONS

### LED System

Proprietary linear LED module incorporates premium LEDs on a robust platform to achieve excellent thermal management. LEDs are placed to promote a uniform appearance. Available in 2700K, 3000K, 3500K or 4000K with CRI>80 or CRI>90, 3SDCM. LED modules and drivers are replaceable from below.

### Construction

One piece extruded aluminum housing. Die cast aluminum end caps. 2' unit weight: 10 lbs., 3' unit weight: 14 lbs., 4' unit weight: 18 lbs., 5' unit weight: 22 lbs.

### Optic

Reflectors fabricated of 22 Ga. steel finished in High Reflectance White powder coat. Extruded acrylic lens .085" thick with satin finish, up to 8' continuous.

### Electrical

Luminaires are pre-wired with factory installed branch circuit wiring and over-molded quick connects. Standard 120-277V constant current driver includes 0-10V analog dimming. Dimming range 100% to 10%. Power factor > .9.

### Emergency

Output - 10 watts for 90 minutes. Maximum mounting height: 19.2ft.

### Labels

UL and cUL listed. Suitable for Dry or Damp Locations, indoor use only.

### Finish

Polyester powder coat applied over a multi-stage pre-treatment.

### Lumen Maintenance

Reported: L70 > 61,000 hours      Calculated: L70 at > 287,000 hours  
 L90 > 61,000 hours              L90 at > 74,000 hours

(Derived from EPA TM-21 calculator. Based on typical conditions, consult factory for additional data.)

### Reliability

At Focal Point, our products are designed to stand the test of time. Each luminaire is engineered using superior components, manufactured with the utmost care and rigorously tested. Contact us for reliability data.

### Warranty

LED system rated for operation in ambient environments up to 25°C. 5-year limited warranty.

## 4' PERFORMANCE CHART

Shielding	Lumens per Foot	Delivered Lumens	Tested System Watts	LPW
Flush Lens	375LF	1690	16	106
	625LF	2810	26	109
	875LF	3860	37	105
	1000LF	4240	42	101

Based on 3500K, 80 CRI, 4' lengths. Lumen multipliers: Preferred Light = 0.65, 90+ CRI = 0.87. Lumen output may vary +/- 5%. Actual wattage may vary +/- 5%.

## ORDERING

<b>Luminaire Series</b>	<b>FSM4LW</b>
Seem 4 LED	FSM4LW
<b>Shielding</b>	<b>FL</b>
Flush Satin Lens	FL
<b>Lumen Output</b>	
275 Lumens per foot <small>(Not available with Lutron Drivers.)</small>	275LF
375 Lumens per foot <small>(Not available with LU5 &amp; LH1 Drivers)</small>	375LF
625 Lumens per foot <small>(3' minimum with LU5 &amp; LH1 Drivers)</small>	625LF
875 Lumens per foot	875LF
1000 Lumens per foot	1000LF
<b>Color Temperature</b>	
2700K, 80+ CRI or 90+ CRI	27K or 927K
3000K, 80+ CRI or 90+ CRI	30K or 930K
3500K, 80+ CRI or 90+ CRI	35K or 935K
4000K, 80+ CRI or 90+ CRI	40K or 940K
3500K, Preferred Light <small>(Patterns not available.)</small>	P35K
<b>Circuit</b>	<b>1C</b>
Single Circuit	1C
<b>Voltage</b>	<b>UNV</b>
UNV 120/277 Volt	UNV
<b>Control System &amp; Dimming Level</b>	
0-10V - 10% Dimming	LD1
0-10V - 1% Dimming	L11
Lutron Hi-Lume EcoSystem (LDE1) - 1% Dimming	LH1
Lutron 5-Series EcoSystem (LDE5) - 5% Dimming	LU5
DALI 1% Dimming	D11
<b>Mounting</b>	<b>WM</b>
Wall Mount	WM
<b>Factory Options</b>	
Emergency Circuit	EC
Emergency Battery Pack <small>(4' lengths or longer)</small>	EM
<b>Finish</b>	
Titanium Silver	TS
Matte White Housing	WH
<b>Luminaire Length</b> <small>(Leave blank for patterns. Lengths are nominal)</small>	
Specify luminaire/row length in 1' increments <small>(Smaller increments available. Consult factory for details.)</small>	X'
<b>Pattern Options</b> <small>(3' minimum length)</small>	
Specify luminaire/row length in 1' increments	X'
'L' pattern <small>(Consult factory for other pattern options)</small>	A' x B'