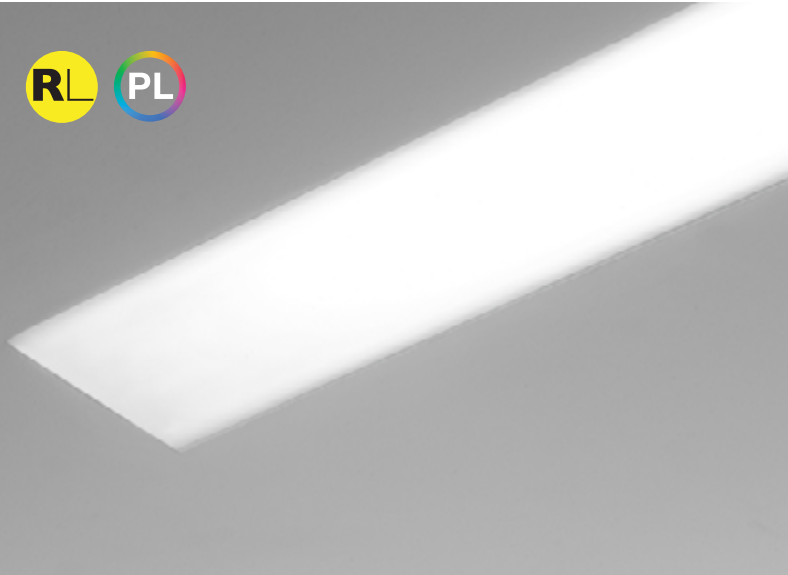


Seem[®] 4 Drywall/Hard Ceiling

LED



trimless mud-in



trim flange



regress lens



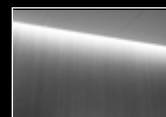
corner detail



wall to ceiling companion



grid ceiling companion

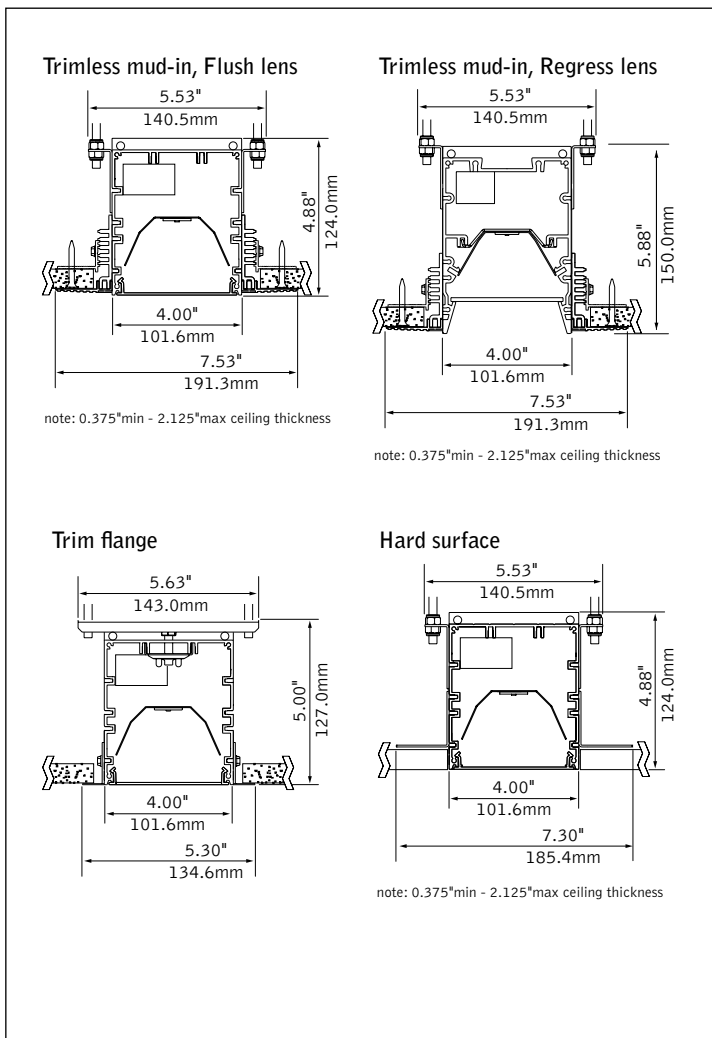


perimeter companion



suspended companion

DIMENSIONAL DATA



FEATURES

Extruded aluminum 4" aperture recessed slot LED integrates with drywall or hard ceilings or walls in a variety of mounting styles for a clean, unobtrusive aesthetic.

Individual units and continuous runs in 1" increments.

Frosted acrylic lens provides uninterrupted illumination, without pixels or shadows.

LED position and lens material optimized to provide the perfect blend of high performance and visual comfort.

Preferred Light: Lighting for better color rendition and human preference.

PERFORMANCE

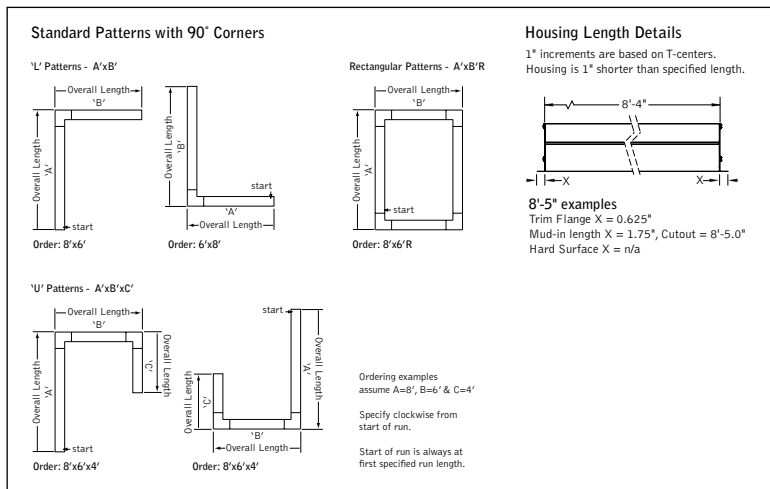
PRODUCT OVERVIEW

Lumen Output: 1606-4240lm
 Wattage: 14-46W
 LPW: 88-115
 SDCM: 3

4' Flush Lens
 Nominal output:
 375 Lumens per foot
Delivered Lumens: 1690lm
Total System Watts: 16W

Photometric performance is measured in accordance with IESNA LM-79. Visit focalpointlights.com for complete photometric data.

DETAILS



SPECIFICATIONS

LED System

Proprietary linear LED module incorporates premium LEDs on a robust platform to achieve excellent thermal management. LEDs are placed to promote a uniform appearance. Available in 2700K, 3000K, 3500K or 4000K with CRI>80 or CRI>90, 3SDCM. LED modules and drivers are replaceable from below.

Construction

One piece extruded aluminum housing. 20 Ga. steel end caps. Housing for new construction applications. XFW acceptable for use with wood, consult factory for Type IC availability. 2' unit weight: 12 lbs., 3' unit weight: 16 lbs., 4' unit weight: 20 lbs., 5' unit weight: 24 lbs.

Optic

Reflectors fabricated of 22 Ga. steel finished in High Reflectance White powder coat. Extruded acrylic lens .085" thick with satin finish, up to 8' continuous.

Electrical

Luminaires are pre-wired with factory installed branch circuit wiring and over-molded quick connects. Standard 120-277V constant current driver includes 0-10V analog dimming. Power factor >.9.

Emergency

Output - 10 watts for 90 minutes. Maximum mounting height: 19.2ft. See EM/EC Guide for default locations and ordering details.

Labels

UL and cUL listed. Suitable for Dry or Damp Locations, indoor use only.

Finish

Polyester powder coat applied over a multi-stage pre-treatment.

Lumen Maintenance

Reported: L70 > 61,000 hours Calculated: L70 at > 480,000 hours
 L90 > 61,000 hours L90 at > 128,000 hours
 (Derived from EPA T M-21 calculator. Based on typical conditions, consult factory for additional data.)

Reliability

At Focal Point, our products are designed to stand the test of time. Each luminaire is engineered using superior components, manufactured with the utmost care and rigorously tested. Contact us for reliability data.

Warranty

LED system rated for operation in ambient environments up to 25°C. 5-year limited warranty.

4' PERFORMANCE CHART

Shielding	Lumens per Foot	Delivered Lumens	Tested System Watts	LPW
Flush Lens	375LF	1690	16	106
	625LF	2810	26	109
	875LF	3860	37	105
	1000LF	4240	42	101
Regress Lens	375LF	1606	17	95
	625LF	2581	27	96
	875LF	3502	39	90
	1000LF	4020	46	88
Regress High Performance	375LF	1606	14	115
	625LF	2581	23	113
	875LF	3502	33	107
	1000LF	4020	39	104

Based on 3500K, 80 CRI, 4' lengths. Lumen multipliers: Preferred Light = 0.65, 90+ CRI = 0.87. Lumen output may vary +/- 5%. Actual wattage may vary +/- 5%.

Focal Point LLC reserves the right to change specifications for product improvement without notification.

ORDERING

Luminaire Series

Seem 4 LED **FSM4L**

Shielding

Flush Satin Lens **FL**

Regress Lens **SR**

Regress High Performance Lens **SRXP**

Lumen Output

275 Lumens per foot **275LF**

375 Lumens per foot **375LF**

625 Lumens per foot **625LF**

875 Lumens per foot **875LF**

1000 Lumens per foot **1000LF**

Color Temperature

2700K, 80+ CRI or 90+ CRI **27K or 927K**

3000K, 80+ CRI or 90+ CRI **30K or 930K**

3500K, 80+ CRI or 90+ CRI **35K or 935K**

4000K, 80+ CRI or 90+ CRI **40K or 940K**

3500K, Preferred Light **P35K**

(Flush Lens only. 6" increments. Patterns not available.)

Circuit

Single Circuit **1C**

Voltage

UNV 120/277 Volt **UNV**

Control System & Dimming Level

0-10V - 10% Dimming **LD1**

0-10V - 1% Dimming **L11**

Lutron Hi-Lume EcoSystem (LDE1) - **LH1**

1% Dimming

Lutron 5-Series EcoSystem (LDE5) - **LU5**

5% Dimming

DALI 1% Dimming **D11**

Ceiling Configuration

Trim Flange Drywall **TF**

(3' minimum with Lutron Drivers)

Trim Flange Wood **TFW**

(3' minimum with Lutron Drivers)

Mud-in Trimless, pre-set for 1/2" Drywall **XF1**

Mud-in Trimless, pre-set for 5/8" Drywall **XF2**

Mud-in Trimless, set thickness in field **XFF**

(Mounting equipment assembled in field)

Non-Drywall Hard Surface **XFN**

Hard Surface, Wood **XFW**

Factory Options

Chicago Plenum **CP**

Emergency Circuit **_EC**

(4' minimum.)

Emergency Battery Pack **_EM**

(4' minimum. Not available at corners. See EM/EC Guide for default locations and ordering details.)

6' New York City Flex Whip (120V) **FNY1**

6' New York City Flex Whip (277V) **FNY2**

6' Flex Whip **FW**

Finish

Matte White Housing **WH**

Luminaire Length

Specify luminaire/row length in 1" increments **_ft_in**

(2' minimum, lengths are nominal 1" increments based on T-centers. Housing length is 1" shorter than specified. Leave blank for patterns. Smaller increments available, consult factory.)

Pattern Options

(3' minimum length)

'L' pattern **A' x B'**

'U' pattern **A' x B' x C'**

Rectangular pattern **A' x B'R**

(Consult factory for other pattern options)



Options in orange qualify for the Quickship program. Run lengths in 1" increments, 2' minimum length, 400' total. Refer to Quickship Guide for complete details including EM/EC options.

Seem® EM/EC Guide

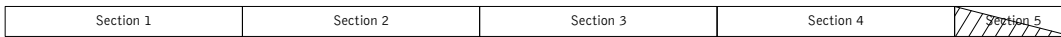
FSM1, FSM1S, FSM1W, FSM2L-FL, FSM2L-FL2, FSM2LS, FSM2LW, FSM4L-FL/SR/SRXP, FSM4L-FL2, FSM4LS, FSM4LW, FSM4LP, FSM6L-FL/SR/SRXP*



DEFAULT LOCATIONS

- By default, EM/EC are located at the end (last section) of a run when one EM/EC location is specified, and at the start and end when two locations are specified.
- EM/EC illuminate entire sections from 4' to 8' in length.
- Feed location is at start of run. All EC's are fed individually at the end of each fixture segment.

1 EM/EC – END OF RUN



Ordering example: FSM4L-FL... **1EM-WH-36ft**

2 EM/EC – START & END OF RUN

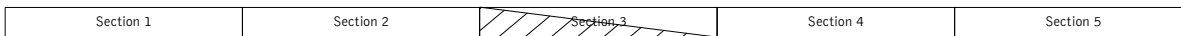


Ordering example: FSM4L-FL... **2EM-WH-36ft**

ALTERNATE LOCATIONS AND QUANTITIES

- If more than two locations are required, or specific locations within run need to be specified, indicate in the ordering string.

ONE EM IN 3RD SECTION



Ordering example: FSM4L-FL... **1EM-3-WH-40ft**

THREE EM IN 1ST, 3RD AND 6TH SECTIONS



Ordering example: FSM4L-FL... **3EM-1-3-6-WH-48ft**

CUSTOM LENGTHS

- If partial illumination of emergency section is required, indicate quantity in ordering string and partial illumination in Order Notes. Drawing required.
- Longer lead times may apply.

Run length (ft)	Housing Configuration Section Lengths
9	5 + 4
10	6 + 4
11	7 + 4
12	8 + 4
13	8 + 5
14	8 + 6
15	8 + 7
16	8 + 8
17	8 + 5 + 4
18	8 + 6 + 4
19	8 + 7 + 4
20	8 + 8 + 4
21	8 + 8 + 5
22	8 + 8 + 6
23	8 + 8 + 7
24	8 + 8 + 8
25	8 + 8 + 5 + 4
26	8 + 8 + 6 + 4
27	8 + 8 + 7 + 4

Run length (ft)	Housing Configuration Section Lengths
28	8 + 8 + 8 + 4
29	8 + 8 + 8 + 5
30	8 + 8 + 8 + 6
31	8 + 8 + 8 + 7
32	8 + 8 + 8 + 8
33	8 + 8 + 8 + 5 + 4
34	8 + 8 + 8 + 6 + 4
35	8 + 8 + 8 + 7 + 4
36	8 + 8 + 8 + 8 + 4
37	8 + 8 + 8 + 8 + 5
38	8 + 8 + 8 + 8 + 6
39	8 + 8 + 8 + 8 + 7
40	8 + 8 + 8 + 8 + 8
41	8 + 8 + 8 + 8 + 5 + 4
42	8 + 8 + 8 + 8 + 6 + 4
43	8 + 8 + 8 + 8 + 7 + 4
44	8 + 8 + 8 + 8 + 8 + 4
45	8 + 8 + 8 + 8 + 8 + 5
46	8 + 8 + 8 + 8 + 8 + 6
47	8 + 8 + 8 + 8 + 8 + 7
48	8 + 8 + 8 + 8 + 8 + 8

Standard run configurations, consult factory for custom configurations.

*Recessed and suspended only. Does not include direct/indirect, pop-down lens or asymmetric options.