

# Seem® 4

LED WITH POP-DOWN LENS



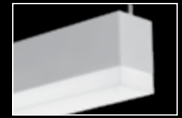
FOCAL POINT®



1.5" Pop-Down trimless mud-in



1.5" Pop-Down grid



suspended pop-down lens companion



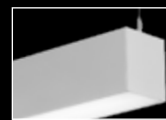
flush lens companion



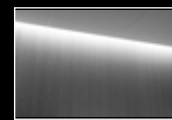
regress lens companion



wall to ceiling companion

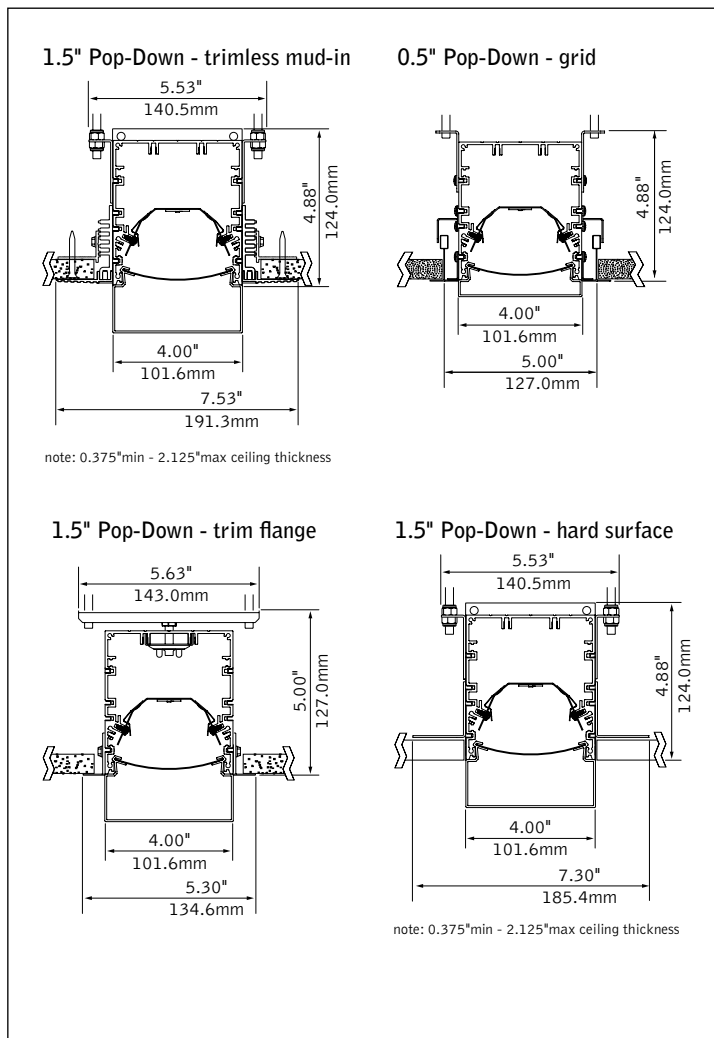


suspended & wall companion



perimeter companion

## DIMENSIONAL DATA



## FEATURES

4" aperture recessed LED slot with 0.5" or 1.5" pop-down lens.

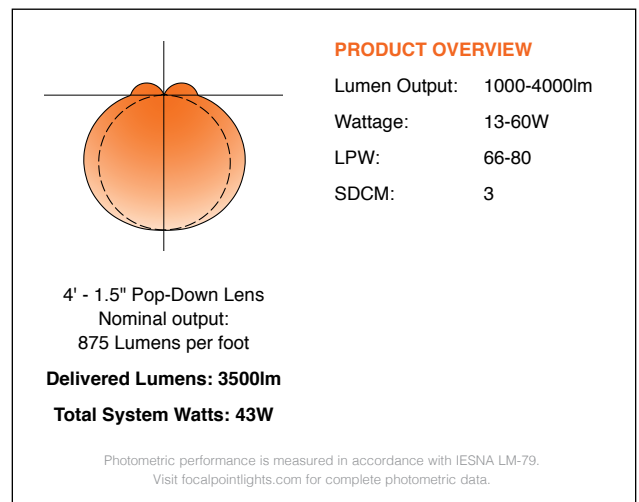
Integrates with ceiling in a variety of mounting styles for a clean aesthetic.

Dimensional frosted acrylic lens provides uninterrupted illumination, without pixels or shadows.

LED position and lens material optimized to provide the perfect blend of high performance and visual comfort.

Preferred Light: Lighting for better color rendition and human preference.

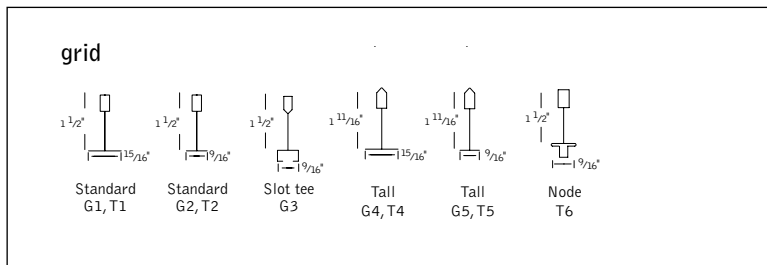
## PERFORMANCE



fixture:

project:

**DETAILS**



**SPECIFICATIONS**

**LED System**

Proprietary linear LED module incorporates premium LEDs on a robust platform to achieve excellent thermal management. LEDs are placed to promote a uniform appearance. Available in 2700K, 3000K, 3500K or 4000K with CRI>80 or CRI>90, 3SDCM. LED modules and drivers are replaceable from below.

**Construction**

One piece extruded aluminum housing. 20 Ga. steel end caps. Housing for new construction applications. XFW acceptable for use with wood, consult factory for Type IC availability. 2' unit weight: 18 lbs., 3' unit weight: 24 lbs., 4' unit weight: 30 lbs., 5' unit weight: 36 lbs.

**Optic**

Reflectors fabricated of 22 Ga. steel finished in High Reflectance White powder coat. Extruded acrylic lens .06\"/>

**Electrical**

Luminaires are pre-wired with factory installed branch circuit wiring and over-molded quick connects. Standard 120-277V constant current driver includes 0-10V analog dimming. Dimming range 100% to 10%.Power factor >.9.

**Emergency Battery**

Emergency output - 10 watts for 90 minutes.

**Labels**

UL and cUL listed. Suitable for Dry or Damp Locations, indoor use only.

**Finish**

Polyester powder coat applied over a multi-stage pre-treatment.

**Lumen Maintenance**

Reported: L70 > 61,000 hours                      Calculated: L70 at > 285,000 hours  
 L90 > 61,000 hours                                      L90 at > 75,000 hours  
 (Derived from EPA TM-21 calculator. Based on typical conditions, consult factory for additional data.)

**Reliability**

At Focal Point, our products are designed to stand the test of time. Each luminaire is engineered using superior components, manufactured with the utmost care and rigorously tested. Contact us for reliability data.

**Warranty**

LED system rated for operation in ambient environments up to 25°C. 5-year limited warranty.

**4' PERFORMANCE CHART**

Shielding	Lumens per Foot	Delivered Lumens	Tested System Watts	LPW
0.5" Pop-Down Lens	275LF	1000	15	74
	375LF	1500	21	73
	625LF	2500	35	72
1.5" Pop-Down Lens	275LF	1000	13	80
	375LF	1500	17	84
	625LF	2500	29	82
	875LF	3500	43	77
	1000LF	4000	51	74

Based on 3500K, 80 CRI, 4' lengths. Lumen multipliers: Preferred Light = 0.65, 90+ CRI = 0.87. Lumen output may vary +/- 5%. Actual wattage may vary +/- 5%.

**ORDERING**

Luminaire Series	FSM4L
Seem 4 LED	FSM4L
<b>Shielding</b>	
0.5" Pop-Down Lens	PD05
1.5" Pop-Down Lens (2' - 8' individual units only)	PD15
<b>Lumen Output</b>	
275 Lumens per foot (Not available with Lutron Drivers.)	275LF
375 Lumens per foot (Not available with LU5 & LH1 Drivers)	375LF
625 Lumens per foot (3' minimum with LU5 & LH1 Drivers.)	625LF
875 Lumens per foot (PD15 Only)	875LF
1000 Lumens per foot (PD15 Only)	1000LF
<b>Color Temperature</b>	
2700K, 80+ CRI or 90+ CRI	27K or 927K
3000K, 80+ CRI or 90+ CRI	30K or 930K
3500K, 80+ CRI or 90+ CRI	35K or 935K
4000K, 80+ CRI or 90+ CRI	40K or 940K
3500K, Preferred Light	P35K
<b>Circuit</b>	<b>1C</b>
Single Circuit	1C
<b>Voltage</b>	<b>UNV</b>
120/277 UNV Volt	UNV
<b>Control System &amp; Dimming Level</b>	
0-10V - 10% Dimming	LD1
0-10V - 1% Dimming	L11
Lutron Hi-Lume EcoSystem (LDE1) - 1% Dimming	LH1
Lutron 5-Series EcoSystem (LDE5) - 5% Dimming	LU5
DALI 1% Dimming	D11
<b>Ceiling Configuration</b>	
Std. 15/16" Lay-in	G1
Std. 15/16" Tegular	T1
Std. 9/16" Lay-in	G2
Std. 9/16" Tegular	T2
9/16" Slot-tee Tegular	G3
Tall 15/16" Lay-in	G4
Tall 15/16" Tegular	T4
Tall 9/16" Lay-in	G5
Tall 9/16" Tegular	T5
Node 9/16" Tegular	T6
Trim Flange Drywall (3' minimum with Lutron Drivers)	TF
Trim Flange Wood (3' minimum with Lutron Drivers)	TFW
Mud-in Trimless, pre-set for 1/2" Drywall	XF1
Mud-in Trimless, pre-set for 5/8" Drywall	XF2
Mud-in Trimless, set thickness in field (Mounting equipment assembled in field)	XFF
Non-Drywall Hard Surface	XFN
Hard Surface, Wood	XFW
<b>Factory Options</b>	
Chicago Plenum	CP
Emergency Circuit	EC
Emergency Battery Pack (4' lengths or longer, not available at corners)	EM
6' New York City Flex Whip (120V)	FNY1
6' New York City Flex Whip (277V)	FNY2
6' Flex Whip	FW
<b>Finish</b>	<b>WH</b>
Matte White Housing	WH
<b>Luminaire Length</b>	
Specify luminaire/row length in 1' increments	XX'
(1.5" Pop-down lens available in 2' - 8' individual units only. Smaller increments available. Consult factory for details.)	