

# Seem<sup>®</sup> 4 Drywall/Hard Ceiling

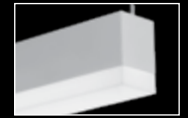
LED WITH POP-DOWN LENS



0.5" pop-down



pop-down grid companion



suspended pop-down lens companion



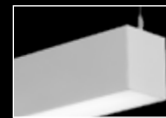
flush lens companion



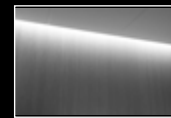
regress lens companion



wall to ceiling companion

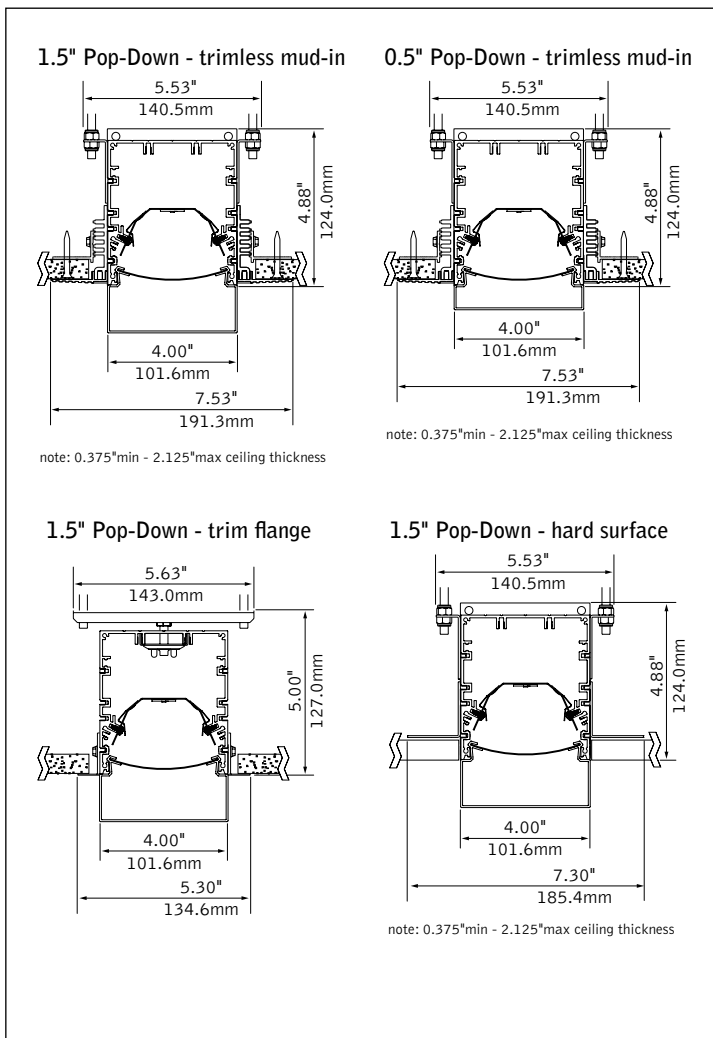


suspended & wall companion



perimeter companion

## DIMENSIONAL DATA



## FEATURES

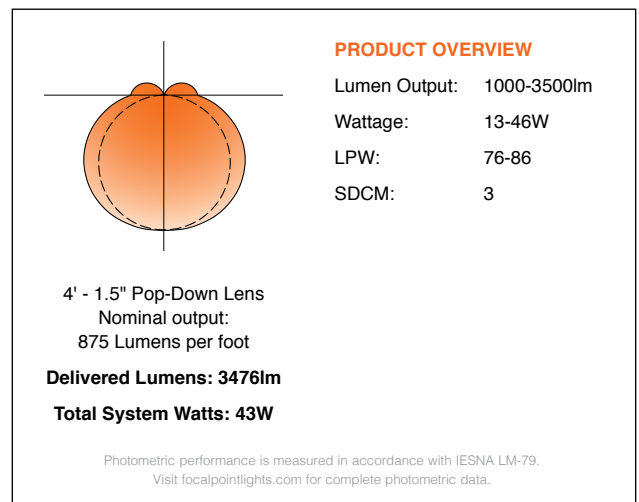
4" aperture recessed LED slot with 0.5" or 1.5" Pop-Down lens integrates with drywall or hard ceilings in a variety of mounting styles for a clean, unobtrusive aesthetic.

Dimensional frosted acrylic lens provides uninterrupted illumination, without pixels or shadows.

LED position and lens material optimized to provide the perfect blend of high performance and visual comfort.

Preferred Light: Lighting for better color rendition and human preference.

## PERFORMANCE



fixture:

project:

**SPECIFICATIONS**

**LED System**

Proprietary linear LED module incorporates premium LEDs on a robust platform to achieve excellent thermal management. LEDs are placed to promote a uniform appearance. Available in 2700K, 3000K, 3500K or 4000K with CRI>80 or CRI>90, 3SDCM. LED modules and drivers are replaceable from below.

**Construction**

One piece extruded aluminum housing. 20 Ga. steel end caps. Housing for new construction applications. XFW acceptable for use with wood, consult factory for Type IC availability. 2' unit weight: 18 lbs., 3' unit weight: 24 lbs., 4' unit weight: 30 lbs., 5' unit weight: 36 lbs.

**Optic**

Reflectors fabricated of 22 Ga. steel finished in High Reflectance White powder coat. Extruded acrylic lens .06" thick with frosted finish, up to 8' continuous.

**Electrical**

Luminaires are pre-wired with factory installed branch circuit wiring and over-molded quick connects. Standard 120-277V constant current driver includes 0-10V analog dimming. Power factor >.9.

**Emergency Battery**

Emergency output - 10 watts for 90 minutes.

**Labels**

UL and cUL listed. Suitable for Dry or Damp Locations, indoor use only.

**Finish**

Polyester powder coat applied over a multi-stage pre-treatment.

**Lumen Maintenance**

Reported: L70 > 61,000 hours                      Calculated: L70 at > 480,000 hours  
 L90 > 61,000 hours                                  L90 at > 128,000 hours  
 (Derived from EPA TM-21 calculator. Based on typical conditions, consult factory for additional data.)

**Reliability**

At Focal Point, our products are designed to stand the test of time. Each luminaire is engineered using superior components, manufactured with the utmost care and rigorously tested. Contact us for reliability data.

**Warranty**

LED system rated for operation in ambient environments up to 25°C. 5-year limited warranty.

**4' PERFORMANCE CHART**

Shielding	Lumens per Foot	Delivered Lumens	Tested System Watts	LPW
0.5" Pop-Down Lens	275LF	1125	14	80
	375LF	1521	19	82
	625LF	2524	32	79
	875LF	3513	46	76
1.5" Pop-Down Lens	275LF	1129	13	85
	375LF	1525	18	86
	625LF	2546	30	84
	875LF	3476	43	81

Based on 3500K, 80 CRI, 4' lengths. Lumen multipliers: Preferred Light = 0.65, 90+ CRI = 0.87. Lumen output may vary +/- 5%. Actual wattage may vary +/- 5%.

**ORDERING**

Luminaire Series		FSM4L
Seem 4 LED		FSM4L
<b>Shielding</b>		
0.5" Pop-Down Lens		PD05
1.5" Pop-Down Lens <small>(2' - 8' individual units only)</small>		PD15
<b>Lumen Output</b>		
275 Lumens per foot <small>(Not available with Lutron Drivers.)</small>		275LF
375 Lumens per foot <small>(Not available with LU5 &amp; LH1 Drivers)</small>		375LF
625 Lumens per foot <small>(3' minimum with LU5 &amp; LH1 Drivers.)</small>		625LF
875 Lumens per foot		875LF
<b>Color Temperature</b>		
2700K, 80+ CRI or 90+ CRI		27K or 927K
3000K, 80+ CRI or 90+ CRI		30K or 930K
3500K, 80+ CRI or 90+ CRI		35K or 935K
4000K, 80+ CRI or 90+ CRI		40K or 940K
3500K, Preferred Light		P35K
<b>Circuit</b>		<b>1C</b>
Single Circuit		1C
<b>Voltage</b>		<b>UNV</b>
120/277 UNV Volt		UNV
<b>Control System &amp; Dimming Level</b>		
0-10V - 10% Dimming		LD1
0-10V - 1% Dimming		L11
Lutron Hi-Lume EcoSystem (LDE1) - 1% Dimming		LH1
Lutron 5-Series EcoSystem (LDE5) - 5% Dimming		LU5
DALI 1% Dimming		D11
<b>Ceiling Configuration</b>		
Trim Flange Drywall <small>(3' minimum with Lutron Drivers)</small>		TF
Trim Flange Wood <small>(3' minimum with Lutron Drivers)</small>		TFW
Mud-in Trimless, pre-set for 1/2" Drywall		XF1
Mud-in Trimless, pre-set for 5/8" Drywall		XF2
Mud-in Trimless, set thickness in field <small>(Mounting equipment assembled in field)</small>		XFF
Non-Drywall Hard Surface		XFN
Hard Surface, Wood		XFW
<b>Factory Options</b>		
Chicago Plenum		CP
Emergency Circuit		EC
Emergency Battery Pack <small>(4' lengths or longer, not available at corners)</small>		EM
6' New York City Flex Whip (120V)		FNY1
6' New York City Flex Whip (277V)		FNY2
6' Flex Whip		FW
<b>Finish</b>		<b>WH</b>
Matte White Housing		WH
<b>Luminaire Length</b>		
Specify luminaire/row length in 1' increments <small>(1.5" Pop-Down lens available in 2' - 8' individual units only. Smaller increments available. Consult factory for details.)</small>		XX'