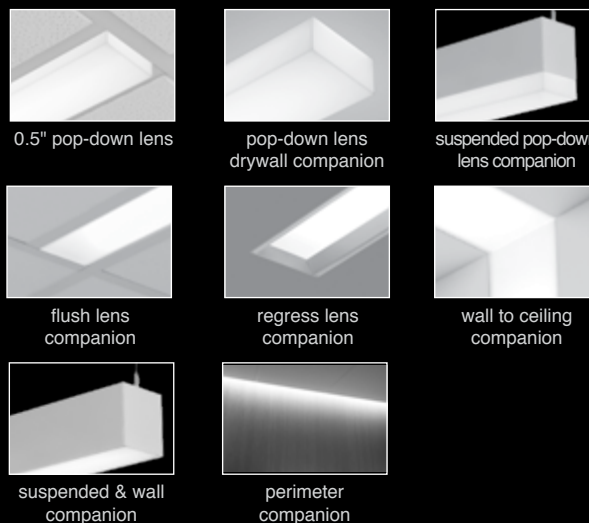
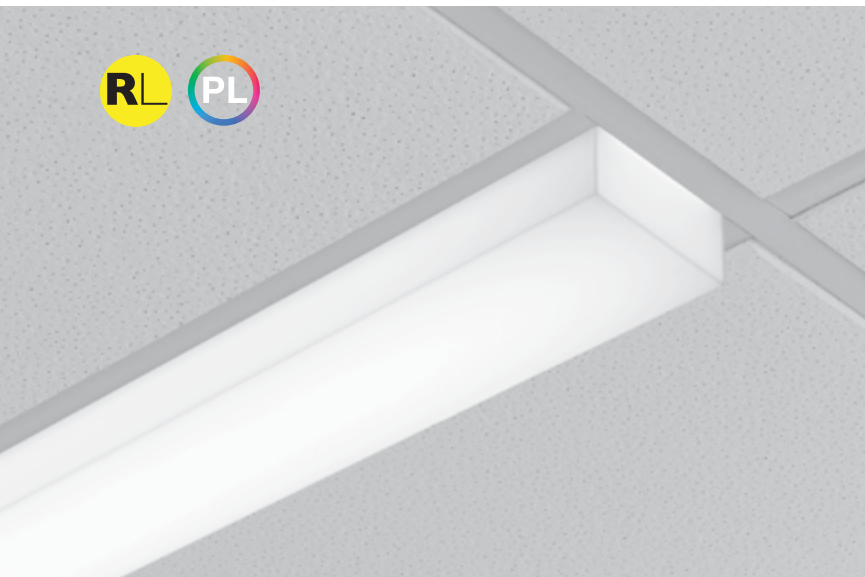
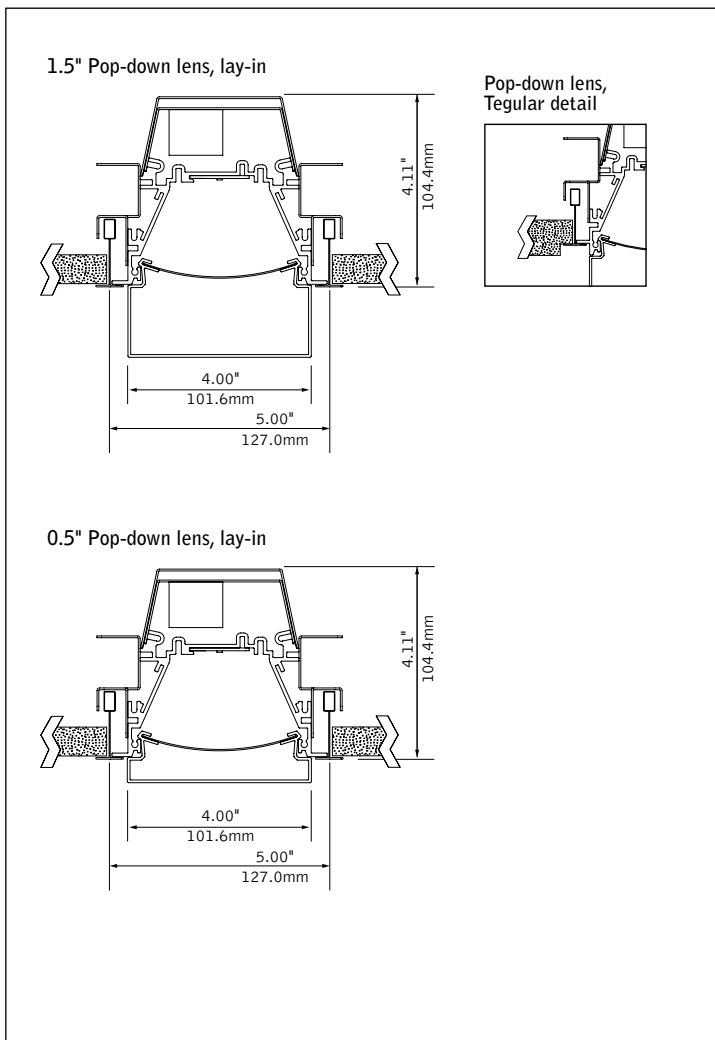


# Seem<sup>®</sup> 4 Grid Ceiling

LED WITH POP-DOWN LENS



## DIMENSIONAL DATA



## FEATURES

4" aperture recessed LED slot with 0.5" or 1.5" Pop-Down lens integrates with grid ceilings for a clean, unobtrusive aesthetic.

Dimensional frosted acrylic lens provides uninterrupted illumination, without pixels or shadows.

LED position and lens material optimized to provide the perfect blend of high performance and visual comfort.

Preferred Light: Lighting for better color rendition and human preference.

## PERFORMANCE

**PRODUCT OVERVIEW**

Lumen Output: 1000 - 3500

Wattage: 14 - 47

LPW: 75 - 86

SDCM: 3

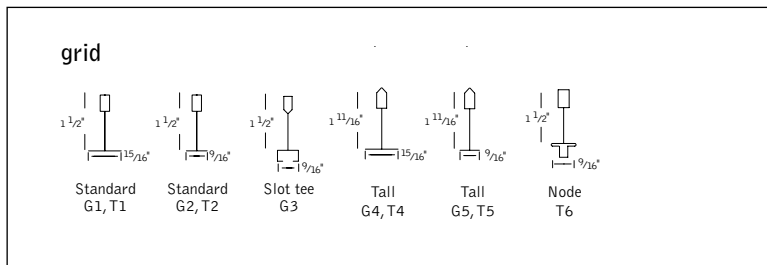
**4' - 1.5" Pop-Down Lens**  
 Nominal output:  
 875 Lumens per foot  
**Delivered Lumens: 3506**  
**Total System Watts: 41**

Photometric performance is measured in accordance with IESNA LM-79. Visit focalpointlights.com for complete photometric data.

fixture:

project:

**DETAILS**



**SPECIFICATIONS**

**LED System**

Proprietary linear LED module incorporates premium LEDs on a robust platform to achieve excellent thermal management. LEDs are placed to promote a uniform appearance. Available in 2700K, 3000K, 3500K or 4000K with CRI>80 or CRI>90, 3SDCM. LED modules are replaceable from below. Drivers are replaceable from above.

**Construction**

One piece extruded aluminum housing. 20 Ga. steel end caps. Housing for new construction applications. 4' unit weight: 11 lbs., 8' unit weight: 22 lbs.

**Optic**

Reflectors fabricated of 22 Ga. steel finished in High Reflectance White powder coat. Extruded acrylic lens .06" thick with frosted finish, up to 8' continuous.

**Electrical**

Luminaires are pre-wired with factory installed branch circuit wiring and over-molded quick connects. Standard 120-277V constant current driver includes 0-10V analog dimming. Power factor >.9.

**Emergency Battery**

Emergency output - 10 watts for 90 minutes. Maximum mounting height: 16.2ft

**Labels**

UL and cUL listed. Suitable for Dry or Damp Locations, indoor use only.

**Finish**

Polyester powder coat applied over a multi-stage pre-treatment.

**Lumen Maintenance**

Reported: L70 > 61,000 hours      Calculated: L70 at > 480,000 hours  
 L90 > 61,000 hours                      L90 at > 128,000 hours  
 (Derived from EPA TM-21 calculator. Based on typical conditions, consult factory for additional data.)

**Reliability**

At Focal Point, our products are designed to stand the test of time. Each luminaire is engineered using superior components, manufactured with the utmost care and rigorously tested. Contact us for reliability data.

**Warranty**

LED system rated for operation in ambient environments up to 25°C. 5-year limited warranty.

**4' PERFORMANCE CHART**

Shielding	Lumens per Foot	Delivered Lumens	Tested System Watts	LPW
0.5" Pop-Down Lens	275LF	1107	14	79
	375LF	1505	20	77
	625LF	2507	33	76
	875LF	3517	47	75
1.5" Pop-Down Lens	275LF	1107	13	83
	375LF	1502	18	85
	625LF	2518	29	86
	875LF	3506	41	85

Based on 3500K, 80 CRI, 4' lengths. Lumen multipliers: Preferred Light = 0.65, 90+ CRI = 0.87. Lumen output may vary +/- 5%. Actual wattage may vary +/- 5%.

**ORDERING**

Luminaire Series	FSM4L	FSM4L
Seem 4 LED	FSM4L	_____
<b>Shielding</b>		
0.5" Pop-Down Lens	PD05	_____
1.5" Pop-Down Lens <small>(2' - 8' individual units only)</small>	PD15	_____
<b>Lumen Output</b>		
275 Lumens per foot <small>(Not available with Lutron Drivers.)</small>	275LF	_____
375 Lumens per foot <small>(Not available with LU5 &amp; LH1 Drivers)</small>	375LF	_____
625 Lumens per foot <small>(3' minimum with LU5 &amp; LH1 Drivers.)</small>	625LF	_____
875 Lumens per foot	875LF	_____
<b>Color Temperature</b>		
2700K, 80+ CRI or 90+ CRI	27K or 927K	_____
3000K, 80+ CRI or 90+ CRI	30K or 930K	_____
3500K, 80+ CRI or 90+ CRI	35K or 935K	_____
4000K, 80+ CRI or 90+ CRI	40K or 940K	_____
3500K, Preferred Light	P35K	_____
<b>Circuit</b>		
Single Circuit	1C	_____
<b>Voltage</b>		
120/277 UNV Volt	UNV	_____
<b>Control System &amp; Dimming Level</b>		
0-10V - 10% Dimming	LD1	_____
0-10V - 1% Dimming	L11	_____
Lutron Hi-Lume EcoSystem (LDE1) - 1% Dimming	LH1	_____
Lutron 5-Series EcoSystem (LDE5) - 5% Dimming	LU5	_____
DALI 1% Dimming	D11	_____
<b>Ceiling Configuration</b>		
Std. 15/16" Lay-in	G1	_____
Std. 15/16" Tegular	T1	_____
Std. 9/16" Lay-in	G2	_____
Std. 9/16" Tegular	T2	_____
9/16" Slot-tee Tegular	G3	_____
Tall 15/16" Lay-in	G4	_____
Tall 15/16" Tegular	T4	_____
Tall 9/16" Lay-in	G5	_____
Tall 9/16" Tegular	T5	_____
Node 9/16" Tegular	T6	_____
<b>Factory Options</b>		
Chicago Plenum	CP	_____
Emergency Circuit	EC	_____
Emergency Battery Pack <small>(4' lengths or longer, not available at corners)</small>	EM	_____
6' New York City Flex Whip (120V)	FNY1	_____
6' New York City Flex Whip (277V)	FNY2	_____
6' Flex Whip	FW	_____
<b>Finish</b>		
Matte White Housing	WH	_____
<b>Luminaire Length</b>		
Specify luminaire/row length in 1' increments	XX'	_____
<small>(1.5" Pop-Down lens available in 2' - 8' individual units only. Smaller increments available. Consult factory for details.)</small>		