



end detail



corner detail



recessed companion



wall to ceiling companion

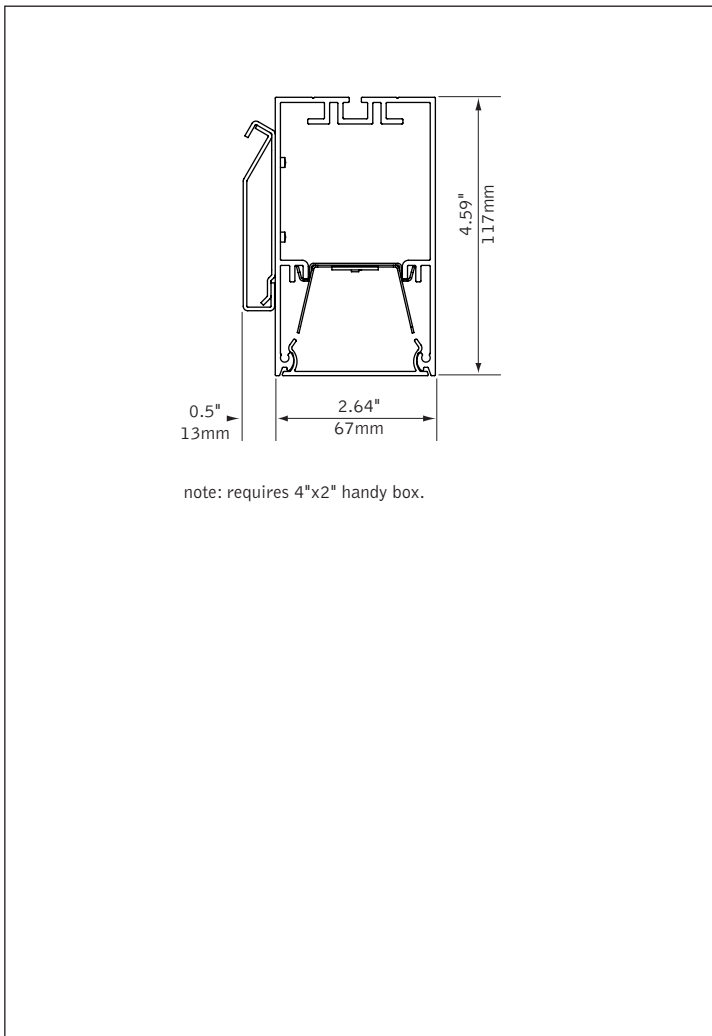


suspended companion



perimeter companion

DIMENSIONAL DATA



FEATURES

Narrow extruded aluminum 2.5" wall mount direct LED.

Individual units and continuous runs in 1' increments.

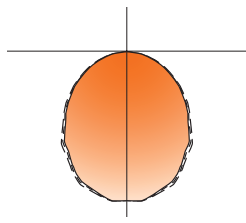
Frosted acrylic lens provides uninterrupted illumination, without pixels or shadows.

LED position and lens material optimized to provide the perfect blend of high performance and visual comfort.

Choice of output levels to meet a wide variety of application needs.

Preferred Light: Lighting for better color rendition and human preference.

PERFORMANCE



4' Flush Lens
Nominal output:
250 Lumens per foot

Delivered Lumens: 1000lm

Total System Watts: 13W

Photometric performance is measured in accordance with IESNA LM-79.
Visit focalpointlights.com for complete photometric data.

PRODUCT OVERVIEW

Lumen Output: 500-2500lm

Wattage: 5-33W

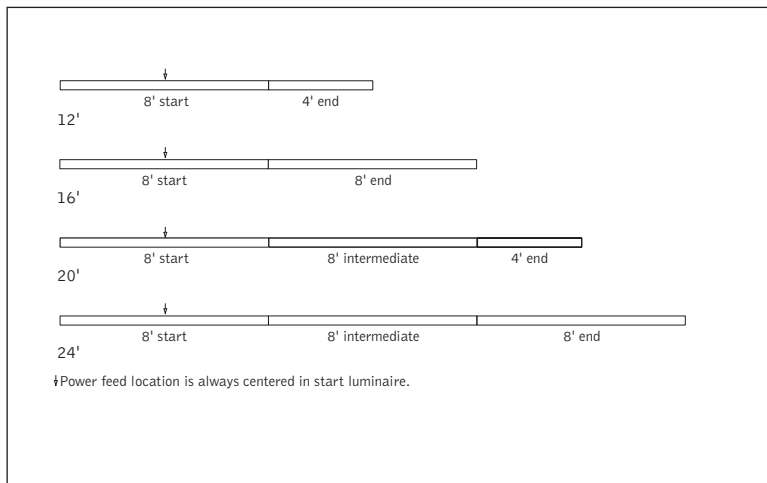
LPW: 76-96

SDCM: 3

fixture:

project:

MOUNTING INFORMATION



SPECIFICATIONS

LED System

Proprietary linear LED module incorporates premium LEDs on a robust platform to achieve excellent thermal management. LEDs are placed to promote a uniform appearance. Available in 2700K, 3000K, 3500K or 4000K with CRI>80 or CRI>90, 3SDCM. LED modules and drivers are replaceable from below.

Construction

One piece extruded aluminum housing. Cast aluminum end caps. 2' unit weight: 4.8 lbs., 3' unit weight: 7.2 lbs., 4' unit weight: 9.6 lbs., 5' unit weight: 12 lbs.

Optic

Reflectors fabricated of 22 Ga. steel finished in High Reflectance White powder coat. Extruded acrylic lens .07" thick with satin finish, up to 8' continuous.

Electrical

Luminaires are pre-wired with factory installed branch circuit wiring and over-molded quick connects. Standard 120-277V constant current driver includes 0-10V analog dimming. Power factor > .9.

Emergency Battery

Output - 10 watts for 90 minutes. Maximum mounting height: 17.9ft.

Labels

UL and cUL listed. Suitable for Dry or Damp Locations, indoor use only.

Finish

Polyester powder coat applied over a multi-stage pre-treatment.

Lumen Maintenance

Reported: L70 > 61,000 hours Calculated: L70 at > 270,000 hours
 L90 > 61,000 hours L90 at > 73,000 hours

(Derived from EPA TM-21 calculator. Based on typical conditions, consult factory for additional data.)

Reliability

At Focal Point, our products are designed to stand the test of time. Each luminaire is engineered using superior components, manufactured with the utmost care and rigorously tested. Contact us for reliability data.

Warranty

LED system rated for operation in ambient environments up to 25°C. 5-year limited warranty.

4' PERFORMANCE CHART

Shielding	Lumens per Foot	Delivered Lumens	Tested System Watts	LPW
Flush Lens	125LF	500	5	96
	250LF	1000	13	80
	375LF	1500	19	79
	625LF	2500	33	76

Based on 3500K, 80 CRI, 4' lengths. Lumen multipliers: Preferred Light = 0.65, 90+ CRI = 0.87. Lumen output may vary +/- 5%. Actual wattage may vary +/- 5%.

ORDERING

Luminaire Series		FSM2LW
Seem 2 LED	FSM2LW	
Shielding		FL
Flush Satin Lens	FL	
Lumen Output		
125 Lumens per foot (LD1, L11 & D11 only. 4' minimum.)	125LF	
250 Lumens per foot (Not available with LU5 & LH1. 4' minimum with D11)	250LF	
375 Lumens per foot (4' minimum with LU5, LH1 & D11)	375LF	
625 Lumens per foot (3' minimum with LU5 & LH1 Drivers)	625LF	
Color Temperature		
2700K, 80+ CRI or 90+ CRI	27K or 927K	
3000K, 80+ CRI or 90+ CRI	30K or 930K	
3500K, 80+ CRI or 90+ CRI	35K or 935K	
4000K, 80+ CRI or 90+ CRI	40K or 940K	
3500K, Preferred Light (Not available with Emergency Battery or patterns)	P35K	
Circuit		1C
Single Circuit	1C	
Voltage		UNV
UNV 120/277 Volt	UNV	
Control System & Dimming Level		
0-10V - 10% Dimming	LD1	
0-10V - 1% Dimming	L11	
Lutron Hi-Lume EcoSystem (LDE1) - 1% Dimming	LH1	
Lutron 5-Series EcoSystem (LDE5) - 5% Dimming	LU5	
DALI 1% Dimming	D11	
Mounting		WM
Wall Mount	WM	
Factory Options		
Emergency Circuit	EC	
Emergency Battery Pack	EM	
Finish		
Black	BK	
Titanium Silver	TS	
Matte White Housing	WH	
Luminaire Length		
Specify luminaire/row length in 1' increments (Smaller increments available. Consult factory for details.)	XX'	
Pattern Options (3' minimum length) 'L' pattern (Consult factory for other pattern options)	A' x B'	

Seem® EM/EC Guide

FSM1, FSM1S, FSM1W, FSM2L-FL, FSM2L-FL2, FSM2LS, FSM2LW, FSM4L-FL/SR/SRXP, FSM4L-FL2, FSM4LS, FSM4LW, FSM4LP, FSM6L-FL/SR/SRXP*



DEFAULT LOCATIONS

- By default, EM/EC are located at the end (last section) of a run when one EM/EC location is specified, and at the start and end when two locations are specified.
- EM/EC illuminate entire sections from 4' to 8' in length.
- Feed location is at start of run. All EC's are fed individually at the end of each fixture segment.

1 EM/EC – END OF RUN



Ordering example: FSM4L-FL... **1EM-WH-36ft**

2 EM/EC – START & END OF RUN

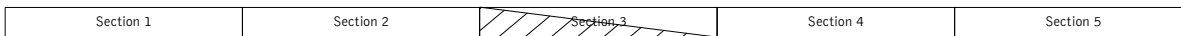


Ordering example: FSM4L-FL... **2EM-WH-36ft**

ALTERNATE LOCATIONS AND QUANTITIES

- If more than two locations are required, or specific locations within run need to be specified, indicate in the ordering string.

ONE EM IN 3RD SECTION



Ordering example: FSM4L-FL... **1EM-3-WH-40ft**

THREE EM IN 1ST, 3RD AND 6TH SECTIONS



Ordering example: FSM4L-FL... **3EM-1-3-6-WH-48ft**

CUSTOM LENGTHS

- If partial illumination of emergency section is required, indicate quantity in ordering string and partial illumination in Order Notes. Drawing required.
- Longer lead times may apply.

Run length (ft)	Housing Configuration Section Lengths
9	5 + 4
10	6 + 4
11	7 + 4
12	8 + 4
13	8 + 5
14	8 + 6
15	8 + 7
16	8 + 8
17	8 + 5 + 4
18	8 + 6 + 4
19	8 + 7 + 4
20	8 + 8 + 4
21	8 + 8 + 5
22	8 + 8 + 6
23	8 + 8 + 7
24	8 + 8 + 8
25	8 + 8 + 5 + 4
26	8 + 8 + 6 + 4
27	8 + 8 + 7 + 4

Run length (ft)	Housing Configuration Section Lengths
28	8 + 8 + 8 + 4
29	8 + 8 + 8 + 5
30	8 + 8 + 8 + 6
31	8 + 8 + 8 + 7
32	8 + 8 + 8 + 8
33	8 + 8 + 8 + 5 + 4
34	8 + 8 + 8 + 6 + 4
35	8 + 8 + 8 + 7 + 4
36	8 + 8 + 8 + 8 + 4
37	8 + 8 + 8 + 8 + 5
38	8 + 8 + 8 + 8 + 6
39	8 + 8 + 8 + 8 + 7
40	8 + 8 + 8 + 8 + 8
41	8 + 8 + 8 + 8 + 5 + 4
42	8 + 8 + 8 + 8 + 6 + 4
43	8 + 8 + 8 + 8 + 7 + 4
44	8 + 8 + 8 + 8 + 8 + 4
45	8 + 8 + 8 + 8 + 8 + 5
46	8 + 8 + 8 + 8 + 8 + 6
47	8 + 8 + 8 + 8 + 8 + 7
48	8 + 8 + 8 + 8 + 8 + 8

Standard run configurations, consult factory for custom configurations.

*Recessed and suspended only. Does not include direct/indirect, pop-down lens or asymmetric options.