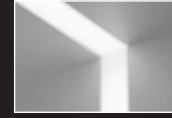


recessed companion



wall to ceiling companion

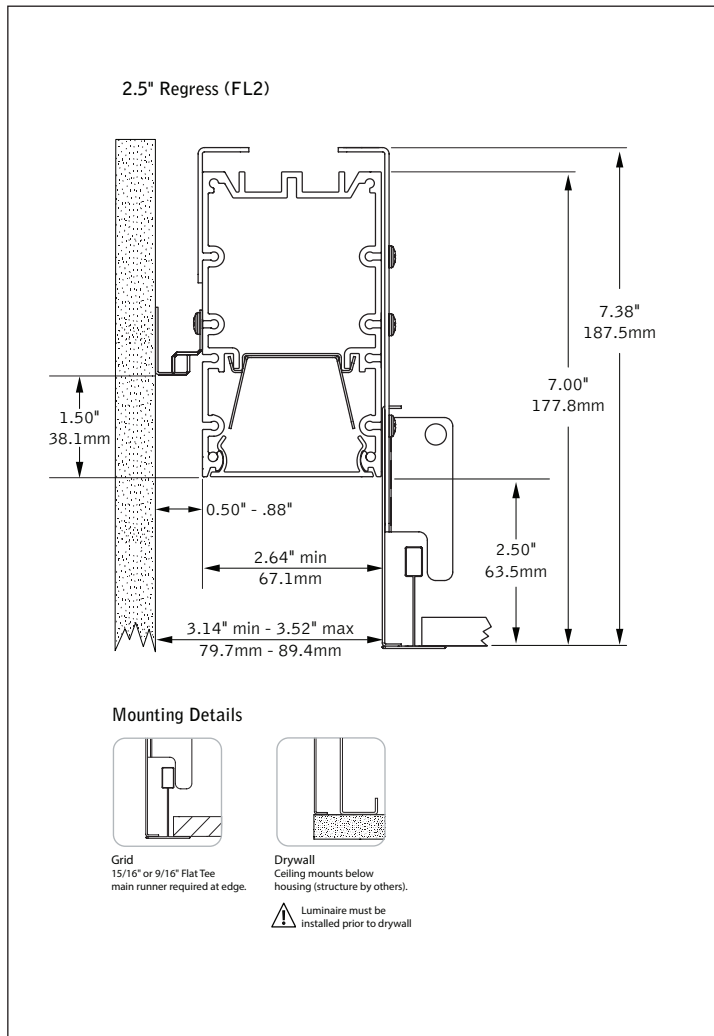


wall mount companion



suspended companion

DIMENSIONAL DATA



FEATURES

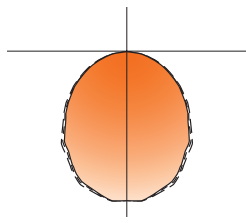
Seem 2 LED perimeter provides a glowing transition between ceiling and wall with a 2.5" regress.

Frosted acrylic lens provides uninterrupted illumination without pixels or shadows.

Lumen outputs may be specified in 125, 250, 375 and 625 lumens per foot.

Preferred Light: Lighting for better color rendition and human preference.

PERFORMANCE



PRODUCT OVERVIEW

Lumen Output:	500-2500lm
Wattage:	5-33W
LPW:	76-96
SDCM:	3

4' Flush Lens
Lumen output:
250 Lumens per foot

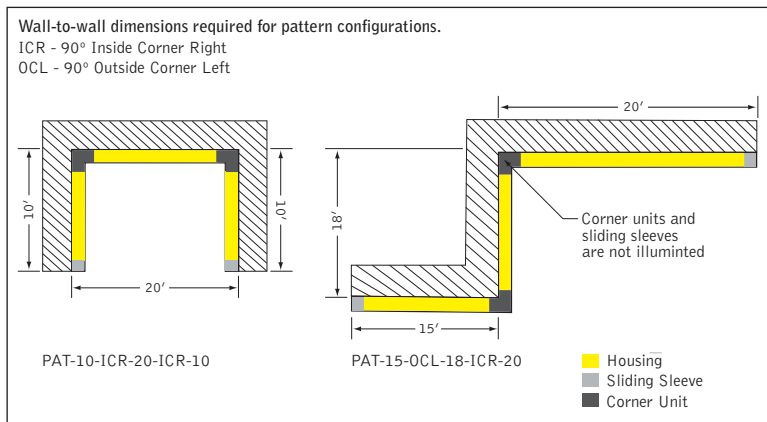
Delivered Lumens: 1000lm
Total System Watts: 13W

Photometric performance is measured in accordance with IESNA LM-79.
Visit focalpointlights.com for complete photometric data.

fixture:

project:

PATTERN CONFIGURATIONS



SPECIFICATIONS

LED System

Proprietary linear LED module incorporates premium LEDs on a robust platform to achieve excellent thermal management. LEDs are placed to promote a uniform appearance. Available in 2700K, 3000K, 3500K or 4000K with CRI>80 or CRI>90, 3SDCM. LED modules and drivers are replaceable from below.

Construction

One piece extruded aluminum housing. 20 Ga. steel end caps, bulkheads, sliding sleeve and regress leg. 4' unit weight: 17 lbs.

Optic

Reflectors fabricated of 22 Ga. steel finished in High Reflectance White powder coat. Extruded acrylic lens .07" thick with satin finish, up to 8' continuous.

Electrical

Luminaires are pre-wired with factory installed branch circuit wiring and over-molded quick connects. Standard 120-277V constant current driver includes 0-10V analog dimming. Power factor > .9.

Emergency Battery

Output - 10 watts for 90 minutes. Maximum mounting height: 17.9ft. See EM/EC Guide for default locations and ordering details.

Labels

UL and cUL listed. Suitable for Dry or Damp Locations, indoor use only.

Finish

Polyester powder coat applied over a multi-stage pre-treatment.

Lumen Maintenance

Reported: L70 > 60,000 hours Calculated: L70 at > 77,000 hours
 (Derived from EPA TM-21 calculator. Based on typical conditions, consult factory for additional data.)

Reliability

At Focal Point, our products are designed to stand the test of time. Each luminaire is engineered using superior components, manufactured with the utmost care and rigorously tested. Contact us for reliability data.

Warranty

LED system rated for operation in ambient environments up to 25°C. 5-year limited warranty.

4' PERFORMANCE CHART

Lumens per Foot	Delivered Lumens	Tested System Watts	LPW
125LF	500	5	96
250LF	1000	13	80
375LF	1500	19	79
625LF	2500	33	76

Based on 3500K, 80 CRI, 4' lengths. Lumen multipliers: Preferred Light = 0.65, 90+ CRI = 0.87. Lumen output may vary +/- 5%. Actual wattage may vary +/- 5%.

ORDERING

Luminaire Series	FSM2L	FSM2L
Seem 2 LED	FSM2L	FL2
Shielding		
Flush Lens, 2.5" Regress	FL2	
Lumen Output		
125 Lumens per foot (LD1, L11 & D11 only, 4' minimum.)	125LF	
250 Lumens per foot (Not available with LU5 & LH1. 4' minimum with D11.)	250LF	
375 Lumens per foot (4' minimum with LU5, LH1 & D11)	375LF	
625 Lumens per foot (3' minimum with LU5 & LH1 Drivers)	625LF	
Color Temperature		
2700K, 80+ CRI or 90+ CRI	27K or 927K	
3000K, 80+ CRI or 90+ CRI	30K or 930K	
3500K, 80+ CRI or 90+ CRI	35K or 935K	
4000K, 80+ CRI or 90+ CRI	40K or 940K	
3500K, Preferred Light (6' increments only. Not available with Emergency Battery or patterns.)	P35K	
Circuit		1C
Single Circuit	1C	
Voltage		UNV
120/277 UNV Volt	UNV	
Control System & Dimming Level		
0-10V - 10% Dimming	LD1	
0-10V - 1% Dimming	L11	
Lutron Hi-Lume EcoSystem (LDE1) - 1% Dimming	LH1	
Lutron 5-Series EcoSystem (LDE5) - 5% Dimming	LU5	
DALI - 1% Dimming	D11	
Mounting		
Grid	G	
Drywall	XF	
Factory Options		
Chicago Plenum	CP	
Emergency Circuit	_EC	
Emergency Battery Pack (4' minimum. See EM/EC Guide for default locations and ordering details.)	_EM	
6' New York City Flex Whip (120V)	FNY1	
6' New York City Flex Whip (277V)	FNY2	
6' Flex Whip	FW	
Unlit Sliding Sleeves (Set of two 12" sleeves. 3' minimum luminaire length)	SSB	
Finish		WH
Matte White Housing	WH	
Luminaire Length (2' minimum length)		
Straight Run Configuration	X'	
Pattern Options		
Specify patterns based on wall-to-wall dimensions (See Pattern Configurations for example)	PAT	

Example: FSM2L-FL2-625LF-35K-1C-120-LD1-G-WH-PAT-10-ICR-20-ICR-10