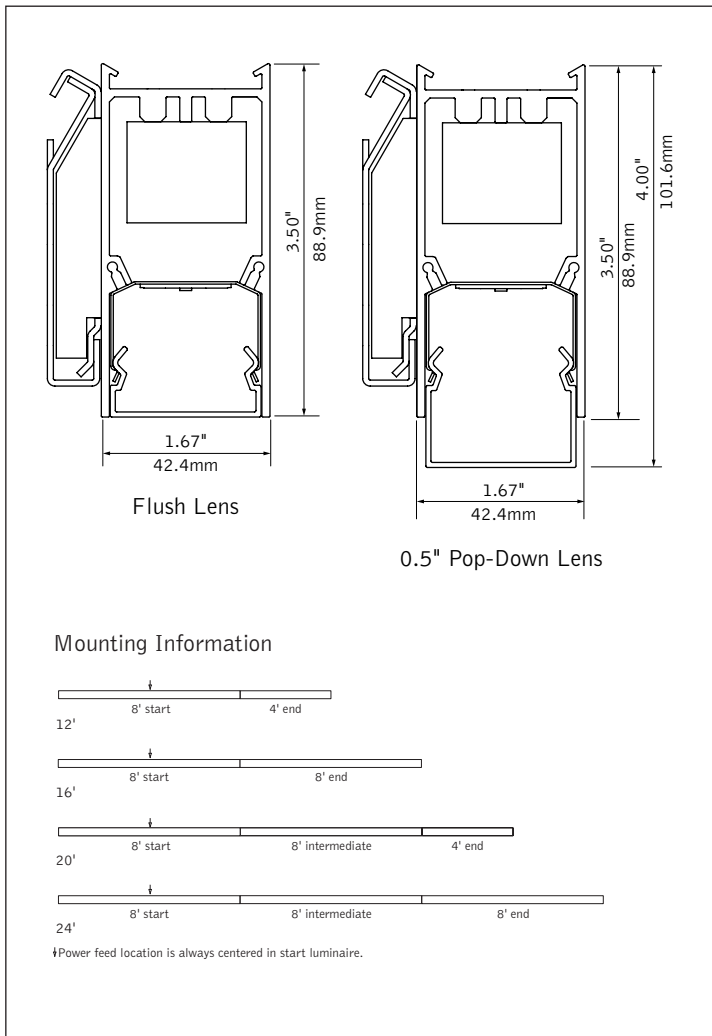


Pop-Down Lens



Corner detail

DIMENSIONAL DATA



FEATURES

Narrow extruded aluminum 1.5" linear direct wall mount LED.

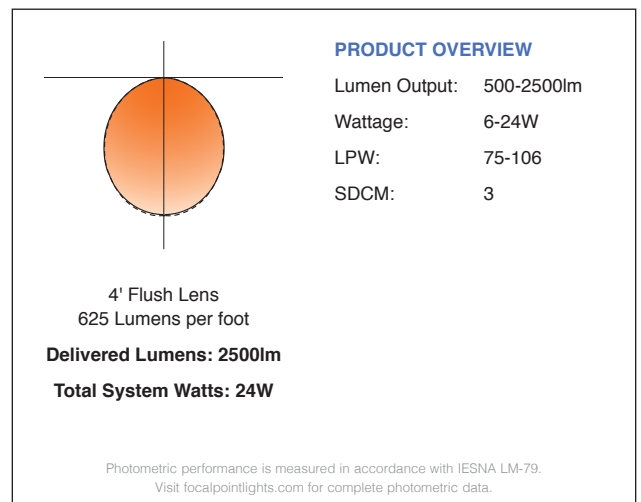
Individual units and continuous runs in 1" increments.

Frosted acrylic lens provides uninterrupted illumination, without pixels or shadows.

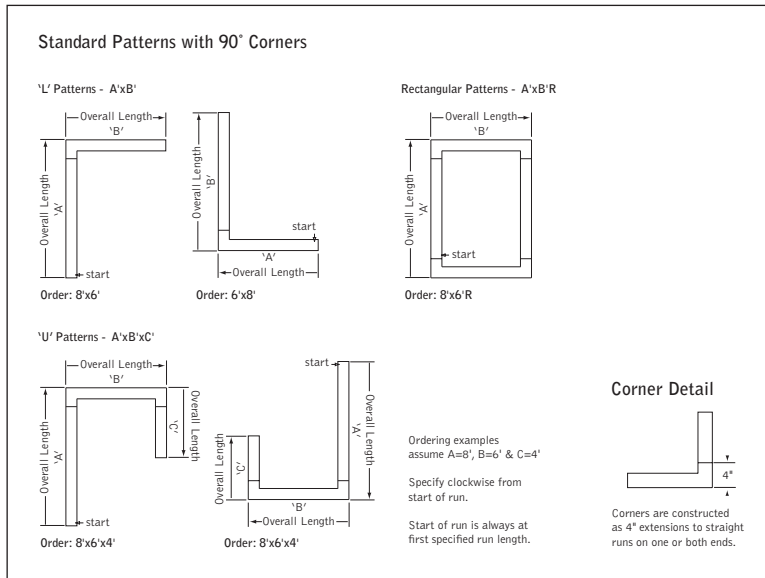
LED position and lens material optimized to provide the perfect blend of high performance and visual comfort.

Choice of output levels to meet a wide variety of application needs.

PERFORMANCE



DETAILS



SPECIFICATIONS

LED System

Proprietary linear LED module incorporates premium LEDs on a robust platform to achieve excellent thermal management. LEDs are placed to promote a uniform appearance. Available in 3000K, 3500K or 4000K with both 80 and 90 CRI options. LED modules and drivers are replaceable from below. Color accuracy <3 SDCM.

Construction

One piece extruded aluminum housing. Cast aluminum end caps. 8' unit weight: 15lbs.

Optic

Reflectors fabricated of 22 Ga. steel finished in High Reflectance White powder coat. Extruded acrylic lens .07" thick with frosted finish, up to 8' continuous.

Electrical

Luminaires are pre-wired with factory installed branch circuit wiring and over-molded quick connects. Standard 120-277V constant current driver includes 0-10V analog dimming. Power factor > .9.

Emergency Battery

Emergency output - 10 watts for 90 minutes. See EM/EC Guide for default locations and ordering details.

Labels

UL and cUL listed. Suitable for Dry or Damp Locations, indoor use only.

Finish

Polyester powder coat applied over a multi-stage pre-treatment.

Lumen Maintenance

Reported: L70 at >61,000 hours Calculated: L70 at 470,000 hours
 L90 at >61,000 hours L90 at 115,000 hours

Derived from EPA TM-21 calculator. Based on typical conditions, consult factory for additional data.

Reliability

At Focal Point, our products are designed to stand the test of time. Each luminaire is engineered using superior components, manufactured with the utmost care and rigorously tested. Contact us for reliability data.

Warranty

LED system rated for operation in ambient environments up to 25°C. 5-year limited warranty.

4' PERFORMANCE CHART

Shielding	Lumens per Foot	Delivered Lumens	Tested System Watts	LPW
Flush Lens	125LF	500	6	75
	250LF	1000	10	98
	375LF	1500	15	104
	500LF	2000	19	106
	625LF	2500	24	104

Based on 3500K, 4' lengths. Lumen Multipliers: Pop-Down Lens = 1.01, 90 CRI = 0.87. Lumen output may vary +/- 5%. Actual wattage may vary +/- 5%.

Focal Point LLC reserves the right to change specifications for product improvement without notification.

ORDERING

Luminaire Series	Seem 1 LED	FSM1W
Shielding	Flush Lens	FL
Pop-Down Lens	PD05	
Lumen Output	125 Lumens per foot (4' minimum length. Consult factory for Lutron, DALI)	125LF
	250 Lumens per foot (3' minimum length)	250LF
	375 Lumens per foot	375LF
	500 Lumens per foot	500LF
	625 Lumens per foot	625LF
Color Temperature	3000K, 80CRI or 90 CRI	30K or 930K
	3500K, 80CRI or 90 CRI	35K or 935K
	4000K, 80CRI or 90 CRI	40K or 940K
Circuit	Single Circuit	1C
Voltage	120/277 UNV Volt	UNV
	347 Volt	347
	(LD1 driver only)	
Control System & Dimming Level	0-10V - 10% Dimming	LD1
	0-10V - 1% Dimming	L11
Lutron Hi-Lume EcoSystem (LDE1) -	1% Dimming	LH1
Lutron 5-Series EcoSystem (LDE5) -	5% Dimming	LU5
	DALI 1% Dimming	D11
Mounting	Wall Mount	WM
Factory Options	Emergency Circuit	_EC
Emergency Battery Pack	(4' minimum length. See EM/EC Guide for default locations and ordering details.)	_EM
Finish	Black	BK
	Titanium Silver	TS
	Matte White Housing	WH
Luminaire Length	Specify luminaire/row length in 1" increments	ft in
	(2' minimum. Leave blank for patterns. Smaller increments available, consult factory.)	_ft_in
Pattern Options	(3' minimum length)	
	'L' pattern	A' x B'
	'U' pattern	A' x B' x C'
	Rectangular pattern	A' x B' R
	(Consult factory for other pattern options)	

Seem® EM/EC Guide

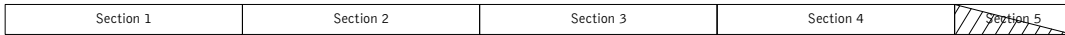
FSM1, FSM1S, FSM1W, FSM2L-FL, FSM2L-FL2, FSM2LS, FSM2LW, FSM4L-FL/SR/SRXP, FSM4L-FL2, FSM4LS, FSM4LW, FSM4LP, FSM6L-FL/SR/SRXP*



DEFAULT LOCATIONS

- By default, EM/EC are located at the end (last section) of a run when one EM/EC location is specified, and at the start and end when two locations are specified.
- EM/EC illuminate entire sections from 4' to 8' in length.
- Feed location is at start of run. All EC's are fed individually at the end of each fixture segment.

1 EM/EC – END OF RUN



Ordering example: FSM4L-FL... **1EM-WH-36ft**

2 EM/EC – START & END OF RUN

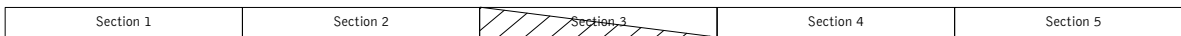


Ordering example: FSM4L-FL... **2EM-WH-36ft**

ALTERNATE LOCATIONS AND QUANTITIES

- If more than two locations are required, or specific locations within run need to be specified, indicate in the ordering string.

ONE EM IN 3RD SECTION



Ordering example: FSM4L-FL... **1EM-3-WH-40ft**

THREE EM IN 1ST, 3RD AND 6TH SECTIONS



Ordering example: FSM4L-FL... **3EM-1-3-6-WH-48ft**

CUSTOM LENGTHS

- If partial illumination of emergency section is required, indicate quantity in ordering string and partial illumination in Order Notes. Drawing required.
- Longer lead times may apply.

Run length (ft)	Housing Configuration Section Lengths
9	5 + 4
10	6 + 4
11	7 + 4
12	8 + 4
13	8 + 5
14	8 + 6
15	8 + 7
16	8 + 8
17	8 + 5 + 4
18	8 + 6 + 4
19	8 + 7 + 4
20	8 + 8 + 4
21	8 + 8 + 5
22	8 + 8 + 6
23	8 + 8 + 7
24	8 + 8 + 8
25	8 + 8 + 5 + 4
26	8 + 8 + 6 + 4
27	8 + 8 + 7 + 4

Run length (ft)	Housing Configuration Section Lengths
28	8 + 8 + 8 + 4
29	8 + 8 + 8 + 5
30	8 + 8 + 8 + 6
31	8 + 8 + 8 + 7
32	8 + 8 + 8 + 8
33	8 + 8 + 8 + 5 + 4
34	8 + 8 + 8 + 6 + 4
35	8 + 8 + 8 + 7 + 4
36	8 + 8 + 8 + 8 + 4
37	8 + 8 + 8 + 8 + 5
38	8 + 8 + 8 + 8 + 6
39	8 + 8 + 8 + 8 + 7
40	8 + 8 + 8 + 8 + 8
41	8 + 8 + 8 + 8 + 5 + 4
42	8 + 8 + 8 + 8 + 6 + 4
43	8 + 8 + 8 + 8 + 7 + 4
44	8 + 8 + 8 + 8 + 8 + 4
45	8 + 8 + 8 + 8 + 8 + 5
46	8 + 8 + 8 + 8 + 8 + 6
47	8 + 8 + 8 + 8 + 8 + 7
48	8 + 8 + 8 + 8 + 8 + 8

Standard run configurations, consult factory for custom configurations.

*Recessed and suspended only. Does not include direct/indirect, pop-down lens or asymmetric options.