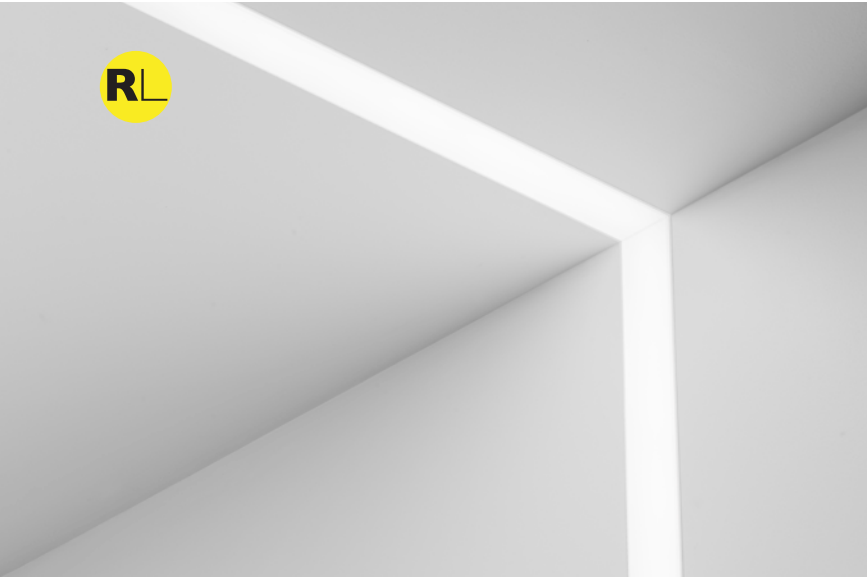
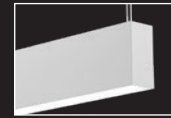


# Seem<sup>®</sup> 1

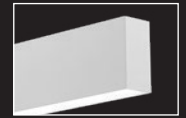
LED WALL TO CEILING CORNER



recessed companion

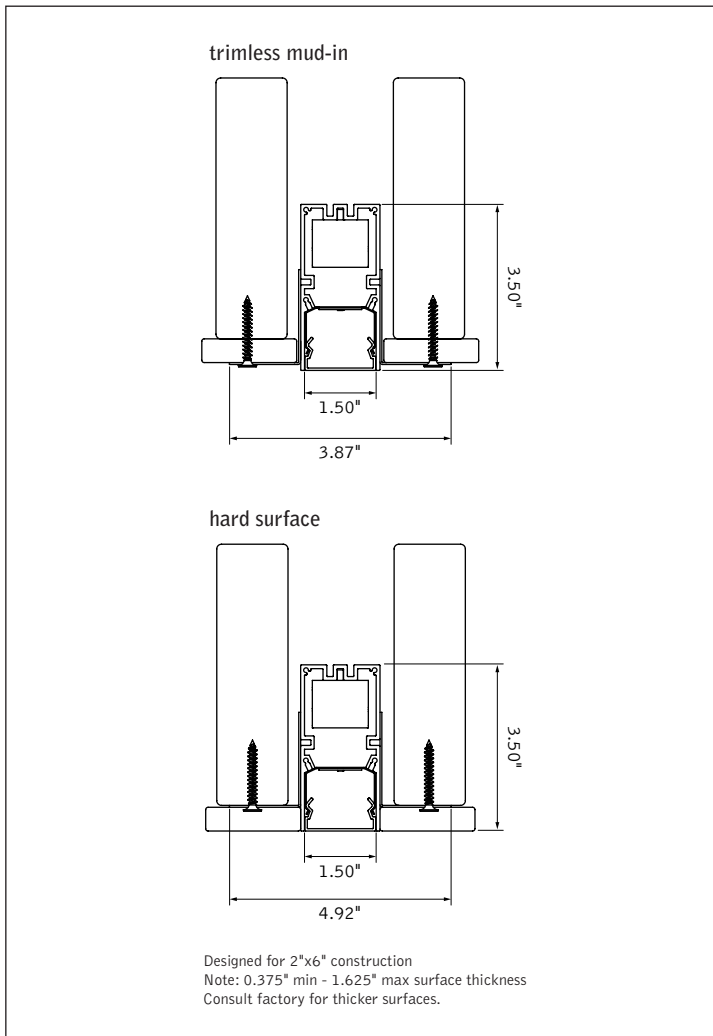


suspended companion



wall mount companion

## DIMENSIONAL DATA



## FEATURES

Narrow extruded aluminum 1.5" recessed linear slot LED that transitions from wall to ceiling.

Individual units and continuous runs in 1" increments.

Frosted acrylic lens provides uninterrupted illumination, without pixels or shadows.

LED position and lens material optimized to provide the perfect blend of high performance and visual comfort.

Choice of output levels to meet a wide variety of application needs.

## PERFORMANCE

**PRODUCT OVERVIEW**

Lumen Output: 500-2500lm  
 Wattage: 6-24W  
 LPW: 75-106  
 SDCM: 3

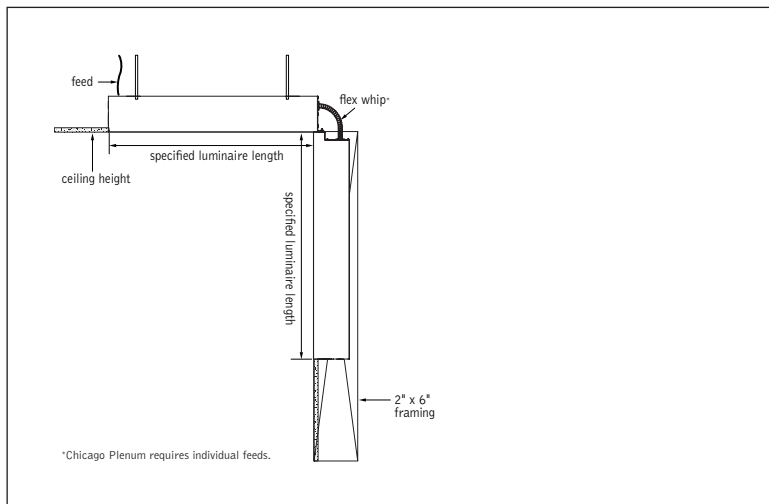
4' Flush Lens  
 625 Lumens per foot  
**Delivered Lumens: 2500lm**  
**Total System Watts: 24W**

Photometric performance is measured in accordance with IESNA LM-79.  
 Visit [focalpointlights.com](http://focalpointlights.com) for complete photometric data.

fixture:

project:

**MOUNTING INFORMATION**



**SPECIFICATIONS**

**LED System**

Proprietary linear LED module incorporates premium LEDs on a robust platform to achieve excellent thermal management. LEDs are placed to promote a uniform appearance. Available in 3000K, 3500K or 4000K with both 80 and 90 CRI options. LED modules and drivers are replaceable from below. Color accuracy <3 SDCM.

**Construction**

One piece extruded aluminum housing. 20 Ga. steel end caps. Housing for new construction applications. XFW acceptable for use with wood, consult factory for Type IC availability. 8' unit weight: 15lbs.

**Optic**

Reflectors fabricated of 22 Ga. steel finished in High Reflectance White powder coat. Extruded acrylic lens .07" thick with frosted finish, up to 8' continuous.

**Electrical**

Luminaires are pre-wired with factory installed branch circuit wiring and over-molded quick connects. Standard 120-277V constant current driver includes 0-10V analog dimming. Power factor > .9.

**Emergency Battery**

Emergency output - 10 watts for 90 minutes. See EM/EC Guide for default locations and ordering details.

**Labels**

UL and cUL listed. Suitable for Dry or Damp Locations, indoor use only.

**Finish**

Polyester powder coat applied over a multi-stage pre-treatment.

**Lumen Maintenance**

Reported: L70 at >61,000 hours                      Calculated: L70 at 470,000 hours  
 L90 at >61,000 hours                                      L90 at 115,000 hours  
 Derived from EPA TM-21 calculator. Based on typical conditions, consult factory for additional data.

**Reliability**

At Focal Point, our products are designed to stand the test of time. Each luminaire is engineered using superior components, manufactured with the utmost care and rigorously tested. Contact us for reliability data.

**Warranty**

LED system rated for operation in ambient environments up to 25°C. 5-year limited warranty.

**4' PERFORMANCE CHART**

Shielding	Lumens per Foot	Delivered Lumens	Tested System Watts	LPW
Flush Lens	125LF	500	6	75
	250LF	1000	10	98
	375LF	1500	15	104
	500LF	2000	19	106
	625LF	2500	24	104

Based on 3500K, 4' lengths. Lumen Multipliers: 90 CRI = 0.87. Lumen output may vary +/- 5%. Actual wattage may vary +/- 5%

**ORDERING**

<b>Luminaire Series</b>		<b>FSM1</b>
Seem 1 LED	FSM1	
<b>Shielding</b>		<b>FL</b>
Flush Lens	FL	
<b>Lumen Output</b>		
125 Lumens per foot <small>(4' minimum length. Consult factory for Lutron, DALI)</small>	125LF	
250 Lumens per foot <small>(3' minimum length)</small>	250LF	
375 Lumens per foot	375LF	
500 Lumens per foot	500LF	
625 Lumens per foot	625LF	
<b>Color Temperature</b>		
3000K, 80CRI or 90CRI	30K or 930K	
3500K, 80CRI or 90CRI	35K or 935K	
4000K, 80CRI or 90CRI	40K or 940K	
<b>Circuit</b>		<b>1C</b>
Single Circuit	1C	
<b>Voltage</b>		
120/277 UNV Volt	UNV	
347 Volt <small>(LD1 driver only)</small>	347	
<b>Control System &amp; Dimming Level</b>		
0-10V - 10% Dimming	LD1	
0-10V - 1% Dimming	L11	
Lutron Hi-Lume EcoSystem (LDE1) - 1% Dimming	LH1	
Lutron 5-Series EcoSystem (LDE5) - 5% Dimming	LU5	
DALI 1% Dimming	D11	
<b>Ceiling Configuration</b>		
Wall to Ceiling corner, Mud-in Trimless	CXFF	
Wall to Ceiling corner, Hard Surface, Non-Drywall	CXFN	
Wall to Ceiling corner, Wood	CXFW	
<b>Factory Options</b>		
Chicago Plenum	CP	
Emergency Circuit	_EC	
Emergency Battery Pack <small>(4' minimum length. See EM/EC Guide for default locations and ordering details.)</small>	_EM	
6' New York City Flex Whip (120V)	FNY1	
6' New York City Flex Whip (277V)	FNY2	
6' Flex Whip	FW	
<b>Finish</b>		<b>WH</b>
Matte White Housing	WH	
<b>Luminaire Length</b> <small>(Lengths are nominal)</small>		
Specify luminaire/row length in 1' increments <small>(2' minimum. Smaller increments available, consult factory.)</small>	X'CX'W	
<small>Example: 12C6W= 12' in Ceiling, 6' in Wall</small>		