

Skydome® Edge Acoustic

UNLIT PENDANT & SURFACE MOUNT



surface mount



canopy detail

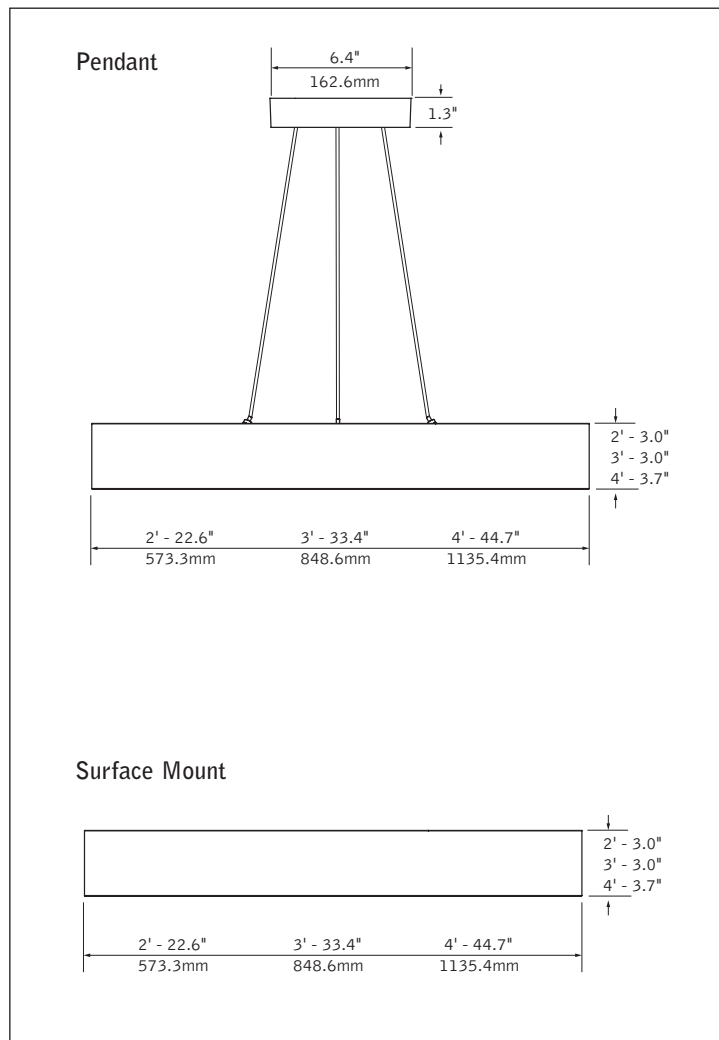


illuminated pendant companion



illuminated surface mount companion

DIMENSIONAL DATA



FEATURES

Sound-absorbing acoustic panel in a shallow housing.

Acoustic panel may be paired with Skydome® Edge luminaires to create a coordinated look in interior spaces.

Slot canopy conceals mechanical elements.

Knife-edge design provides a modern aesthetic.

Available in nominal 2', 3' and 4' diameters.

Eco-friendly acoustic material available in 15 colors.

Per unit Noise Reduction Coefficient (NRC) of 1.05.

fixture:

project:

SPECIFICATIONS

Acoustic

Material is 100% polyester containing at least 40% of recycled plastic bottles (PET). Class A fire rating and moisture resistant. Noise Reduction Coefficient (NRC) of 1.05, acoustic test reports available upon request.



Acoustic material colors are subject to change without notice. Lead times may vary depending on color.

Housing Construction

Extruded aluminum housing. Weights: 2' unit: 24lbs, 3' unit: 48lbs, 4' unit: 82lbs.

Mounting

White canopy provided. Minimum mounting heights: 2' unit: 15", 3' unit: 30", 4' unit: 45".

Finish

Polyester powder coat applied over a multi-stage pre-treatment.

Reliability

At Focal Point, our products are designed to stand the test of time. Each product is engineered using superior components, manufactured with the utmost care and rigorously tested.

Warranty

5-year limited warranty.

ORDERING

Series	FSDEPA
Skydome Edge Acoustic	FSDEPA
Nominal Size	
2' Diameter	2
3' Diameter	3
4' Diameter	4
Mounting	
24" Aircraft Cable <small>(2' diameter only)</small>	C24
48" Aircraft Cable	C48
96" Aircraft Cable	C96
Surface Mount	SM
<small>(Consult factory for other lengths)</small>	
Acoustic Panel Color	
Pure Black	PBK
Charcoal Gray	CHG
Ebony Slate	ESG
Dark Gray	DKG
Sliver Gray	SLG
Classic White	CWH
Light Beige	LTB
Desert Sand	DTS
Sunny Days	SND
Tiger Orange	TGO
Ruby Red	RBR
Deep Purple	DPP
Midnight Navy	MNN
Polar Ice	PLI
Green Apple	GRA
Housing Finish	
Matte Satin White	WH
Titanium Silver	TS
Matte Black	BK
Custom Color <small>(Specify your RAL color value. Extended lead time consult factory.)</small>	RAL_ _ _ _