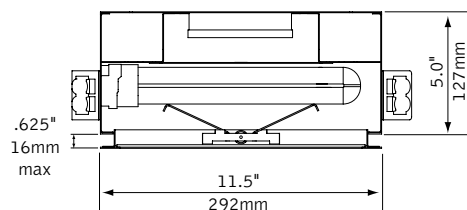




## DIMENSIONAL DATA



### lamping options



18W BIAX



18W BIAX



CFL

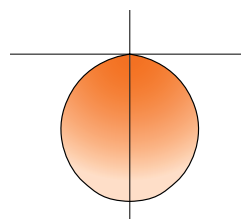
## FEATURES

1' diameter recessed direct fluorescent with frosted flat acrylic lens.

Frosted acrylic lens produces a smooth appearance and diffuses lamp image.

Universal mounting is suitable for both grid & drywall applications.

## PERFORMANCE



1-Lamp 18 W BiAx

**44 % Efficient**

**205 cd @ 0°**

### PRODUCT OVERVIEW

Lumen Output: 553-1588lm

Wattage: 21-64W

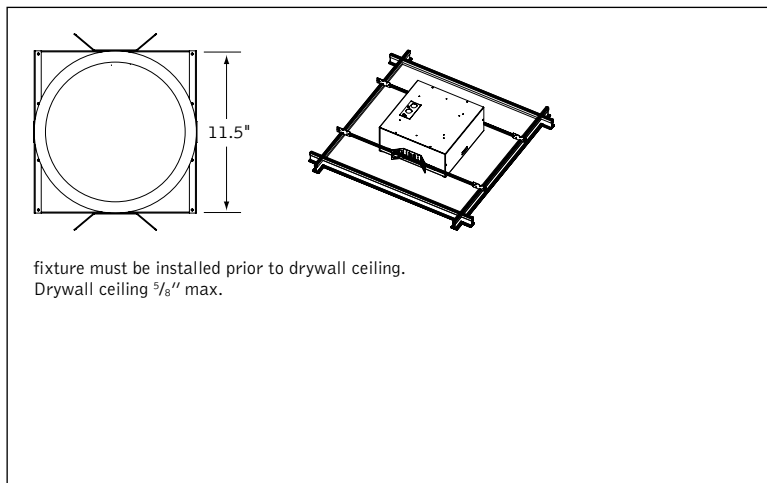
Lamping: BiAx, TT,  
T5 Circular

Visit [focalpointlights.com](http://focalpointlights.com) for complete photometric data.

fixture:

project:

**MOUNTING INFORMATION**



**SPECIFICATIONS**

**Construction**

Two-piece 20 Ga. steel reflector and housing. Spun steel trim ring and doorframe. Bottom access 20 Ga. steel ballast compartment. 1' unit weight: 7 lbs.

**Optic**

One-piece 20 Ga. steel reflector finished in High Reflectance White powder coat. 0.08" premium white acrylic is held by one-piece spun steel doorframe and secured to the housing by torsion springs. Flat lens supplied as standard.

**Electrical**

Electronic ballasts are thermally protected and have a Class "P" rating. Optional dimming ballasts available. Consult factory for dimming specifications and availability.

**Labels**

UL and cUL listed.

**Finish**

Polyester powder coat applied over a 5-stage pre-treatment.

**ORDERING**

<b>Luminaire Series</b>	<b>Skydome</b>	<b>FSD</b>	<b>FSD</b>
<b>Nominal Size</b>	<b>1' Diameter</b>	<b>11</b>	<b>11</b>
<b>Shielding</b>	<b>High Performance Flat Lens</b>	<b>FLXP</b>	<b>FLXP</b>
<b>Lamp Quantity</b>	<b>One Lamp</b>	<b>1</b>	
	<b>Two Lamp</b>	<b>2</b>	
	<small>(Biax only)</small>		
<b>Lamp Type</b>	<b>18 Watt Biax</b>	<b>BX18</b>	
	<small>(120 &amp; 277 Volt only)</small>		
	<small>(Electronic Program Start only)</small>		
	<b>26W Triple Tube, GX24q-3</b>	<b>26TT</b>	
	<b>32W Triple Tube, GX24q-3</b>	<b>32TT</b>	
<b>Circuit</b>	<b>Single Circuit</b>	<b>1C</b>	<b>1C</b>
<b>Voltage</b>	<b>120 Volt</b>	<b>120</b>	
	<b>277 Volt</b>	<b>277</b>	
	<b>347 Volt</b>	<b>347</b>	
	<small>(Consult factory for dimming options)</small>		
	<small>(Not available with 18W Biax)</small>		
<b>Ballast</b>	<small>(Dimming for CFL lamps only)</small>		
<b>Electronic Program Start &lt;10% THD</b>	<b>0-10V</b>	<b>S</b>	
	<b>2-wire Line Voltage</b>	<b>D7</b>	
	<b>Lutron EcoSystem Digital</b>	<b>D1</b>	
	<b>Lutron EcoSystem 3-wire</b>	<b>DB</b>	
		<b>D2</b>	
<b>Mounting</b>	<b>Universal</b>	<b>U</b>	<b>U</b>
<b>Factory Options</b>	<b>Bar Hangers</b>	<b>BH</b>	
	<b>Chicago Plenum</b>	<b>CP</b>	
	<b>Emergency Battery Pack*</b>	<b>EM</b>	
	<b>HLR/GLR Fuse</b>	<b>FU</b>	
	<b>6' New York City Flex Whip</b>	<b>FNY</b>	
	<b>6' Flex Whip</b>	<b>FW</b>	
	<b>Include 3000K Lamp*</b>	<b>L830</b>	
	<b>Include 3500K Lamp*</b>	<b>L835</b>	
	<b>Include 4100K Lamp*</b>	<b>L841</b>	
<b>Finish</b>	<b>Matte Satin White</b>	<b>WH</b>	<b>WH</b>

# Skydome™ 1x1

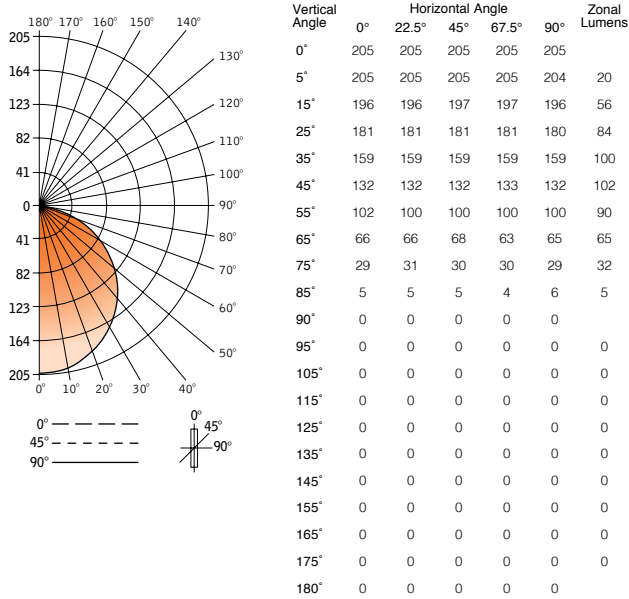
FLUORESCENT

## FSD-11-D-1-BX18-S-120-U-FL-WH

Filename: FSD11D1BX18.IES  
 Test #: 15188.0

Lumens: 553lm  
 Efficiency 44%

### CANDLEPOWER DISTRIBUTION



### LUMEN SUMMARY

Zone	Lumens	% Lamp	% Fixture
0-30°	159	12.7	28.7
0-40°	259	20.7	46.8
0-60°	451	36.1	81.5
0-90°	553	44.3	100.0
<b>Total Luminaire 0-180°</b>	<b>553</b>	<b>44.3</b>	<b>100.0</b>

### LUMINANCE DATA (cd/M²)

Vertical Angle	0°	45°	90°
45°	3749	3749	3749
55°	3571	3501	3501
65°	3136	3231	3089
75°	2250	2328	2250
85°	1152	1152	1383

### CO-EFFICIENTS OF UTILIZATION

Floor Ceiling Wall	80				70			20 50		30		10		00
	70	50	30	10	70	50	10	50	10	50	10	50	10	00
RCR 0	53	53	53	53	51	51	51	49	49	48	48	45	45	44
1	49	47	45	44	48	46	43	44	42	42	40	41	39	38
2	45	41	39	36	44	41	36	39	35	38	34	36	34	33
3	41	37	34	31	40	36	31	35	30	34	30	33	29	28
4	38	33	29	26	37	32	26	31	26	30	26	29	25	24
5	34	29	25	22	34	29	22	28	22	27	22	26	22	21
6	32	26	22	19	34	26	19	24	19	25	19	23	19	18
7	29	23	20	17	28	23	17	2	17	22	17	21	16	16
8	27	21	17	15	26	21	15	20	15	19	14	19	14	13
9	25	19	15	13	24	19	13	18	13	17	12	17	12	12
10	23	17	14	11	22	17	11	16	11	16	11	16	11	10

Numbers indicate percentage values of reflectivity.

Go to [www.focalpointlights.com](http://www.focalpointlights.com) for additional photometric data.