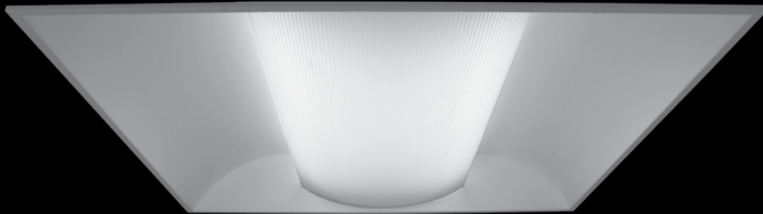
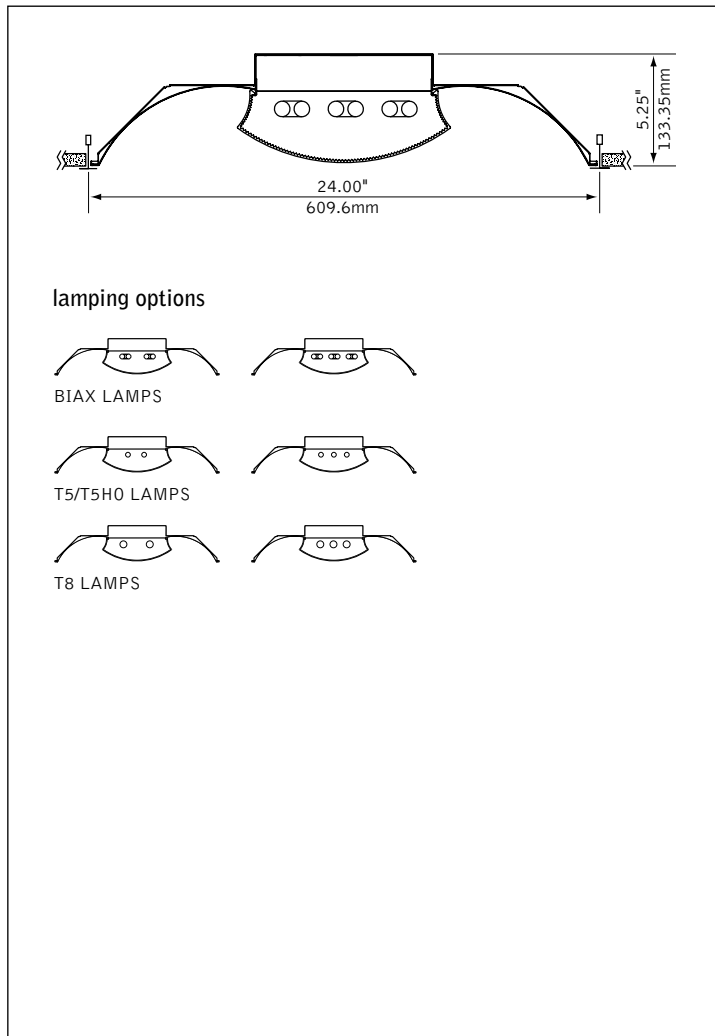


Apollo 2 2x2

FLUORESCENT RECESSED PATIENT BED LIGHT



DIMENSIONAL DATA



FEATURES

2'x2' recessed indirect with acrylic diffuser.

Sealed optical compartment for easy cleaning and maintenance.

Extruded acrylic diffuser provides low brightness and even illumination.

The Apollo 2 luminaire, with its clean architectural design, is ideal for corridors and offices in healthcare applications.

PERFORMANCE

PRODUCT OVERVIEW

Lumen Output: 1998-11100lm

Wattage: 32-177W

Lamping: Biax, T5, T5HO, T8

2-Lamp 40W Biax

74% Efficient

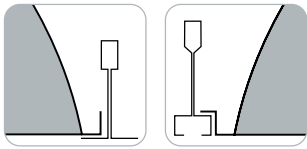
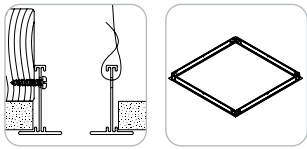
1550 cd @ 15°

Visit focalpointlights.com for complete photometric data.

fixture:

project:

MOUNTING INFORMATION

<p>grid</p> <p>specify "G" for flat 9/16" and 15/16" tee or "ST" for 9/16" slot tee grid types.</p>  <p>"G" flat tee Luminaires cannot be installed in T-bar ceiling systems over 1.5".</p>	<p>drywall frame kit</p> <p>specify "DF" Drywall Frame Kit for drywall ceiling conditions.</p>  <p>Use tie-wire or screws to secure frame kit.</p> <p>cut out dimensions: 2': Min: 24.25" Max: 24.563"</p>
---	--

SPECIFICATIONS

Construction

20 Ga. steel housing. Lamp compartment is sealed and enclosed by detachable extruded acrylic diffuser. Bottom access 20 Ga. steel ballast compartment. Weight: 23 lbs.

Optic

One-piece 20 Ga. steel side reflectors finished in Matte Satin White powder coat. 20 Ga. steel center reflector finished in High reflectance White.

Electrical

Ballasts are thermally protected and have a Class "P" rating. Optional dimming ballasts available. Consult factory for dimming specifications and availability.

Labels

UL and cUL listed.

Finish

Polyester powder coat applied over a 5-stage pre-treatment.

ORDERING

Luminaire Series	FMA2
Apollo 2	FMA2
Nominal Size	22
2' x 2'	22
Lamp Quantity	
Two Lamp	2
Three Lamp	3
Lamp Type	
40 Watt Biax	BX40
T5	T5
T5HO	T5HO
T8	T8
Circuit	
Single Circuit	1C
Dual Circuit	2C
Voltage	
120 Volt	120
277 Volt	277
347 Volt	347
(Consult factory for dimming options)	
120/277 UNV Volt	UNV
(Cannot be specified with EM option)	
Ballast	
Electronic Program Start <10% THD	S
0-10V	D7
Lutron 1% 3-wire (5% for Biax)	DH
Lutron 1% H-Series (5% Hi-Lume 3D for Biax)	DH
Mounting	
Drywall Frame Kit (Cut out dimensions: Min: 24.25"/Max: 24.563")	F
Grid Mount	G
Slot Tee	ST
Factory Options	
Chicago Plenum	CP
Emergency Battery Pack*	EM
Positional Clips	EQ
Single Fuse and Holder	FU
Include 3000K Lamp*	L830
Include 3500K Lamp*	L835
Include 4100K Lamp*	L841
6' New York City Flex Whip	FNY
6' Flex Whip	FW
Separate Circuit Tandem*	SCT
Labor Saving Master Satellite*	LS
Ballast Saving Tandem*	BST
Finish	
Matte Satin White	WH
Matte Satin White Anti-Microbial	WHA

Apollo 2 2x2

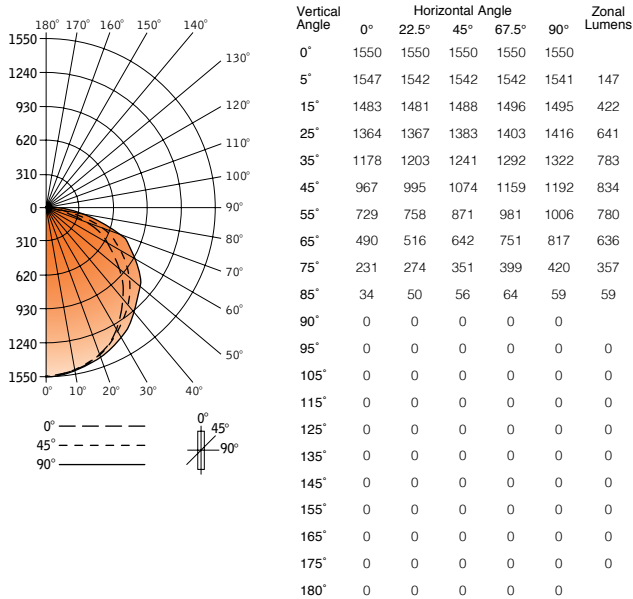
FLUORESCENT

FMA2-22-2-BX40-1C-120-E-G-WH

Filename: FMA2222BX40.IES
 Test #: 12330.0

Lumens: 4659lm
 Efficiency 74%

CANDLEPOWER DISTRIBUTION



LUMEN SUMMARY

Zone	Lumens	% Lamp	% Fixture
0-30°	1211	19.2	26.0
0-40°	1994	31.6	42.8
0-60°	3608	57.3	77.4
0-90°	4659	74.0	100.0
Total Luminaire 0-180°	4659	74.0	100.0

LUMINANCE DATA (cd/M²)

Vertical Angle	0°	45°	90°
45°	3976	4416	4901
55°	3695	4415	5100
65°	3371	4417	5621
75°	2595	3943	4718
85°	1134	1868	1968

CO-EFFICIENTS OF UTILIZATION

Floor Ceiling Wall	80				70			20 50		30		10		00
	70	50	30	10	70	50	10	50	10	50	10	50	10	00
RCR 0	88	88	88	88	86	86	86	82	82	79	79	75	75	74
1	81	78	75	72	79	76	71	73	69	70	66	67	65	63
2	74	68	63	59	72	67	58	64	57	62	56	59	55	53
3	68	60	54	50	66	59	49	57	48	55	47	53	47	45
4	62	53	47	42	60	52	42	50	41	49	41	47	40	38
5	56	47	40	35	55	46	35	44	35	43	34	41	34	32
6	52	42	35	30	50	41	30	40	30	38	30	37	29	28
7	48	37	31	26	46	37	26	36	26	35	26	34	26	24
8	44	33	27	23	43	33	23	32	22	31	22	30	22	21
9	40	30	24	20	39	30	19	29	19	28	19	27	19	18
10	37	27	21	17	36	27	17	26	17	25	17	25	17	16

Numbers indicate percentage values of reflectivity.

Go to www.focalpointlights.com for additional photometric data.