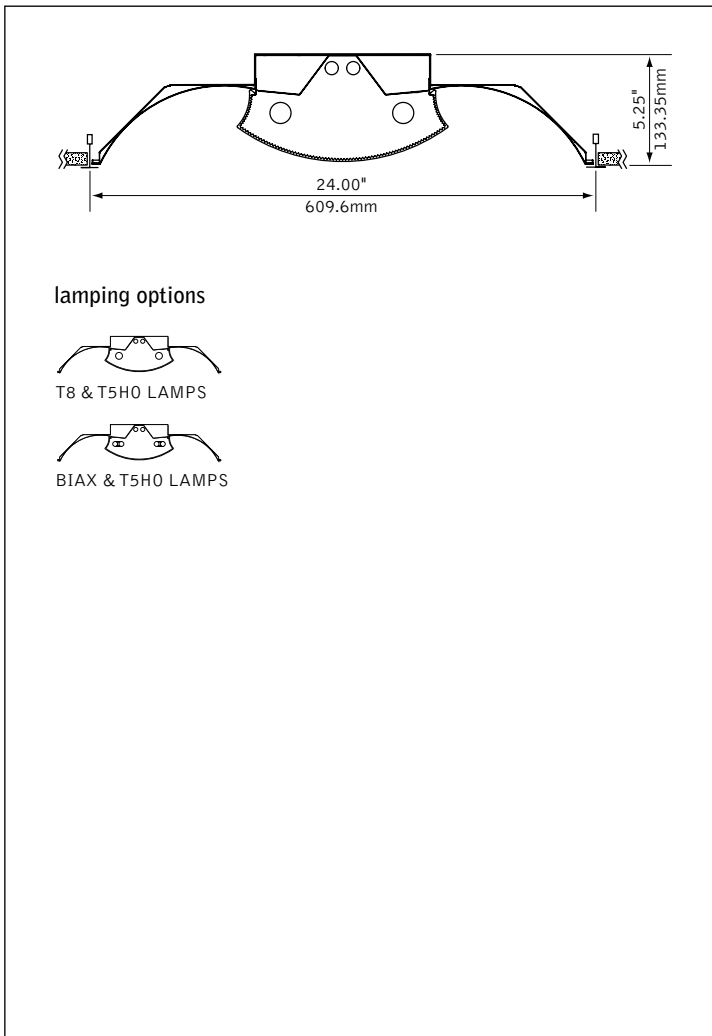


Apollo 1 2x2

FLUORESCENT RECESSED PATIENT BED LIGHT



DIMENSIONAL DATA



FEATURES

2'x2' recessed patient bed light with exam function.

Combines both ambient and patient exam lighting in a clean architectural design.

Two T8 or Biax lamps provide reading and ambient illumination.

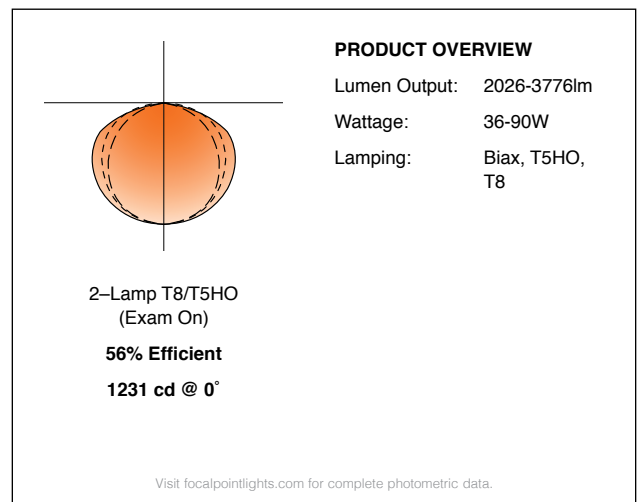
Two T5HO lamps provide additional illumination for exam.

Separate circuiting provides individual control of ambient and exam functions.

Sealed optical compartment for easy cleaning and maintenance.

Extruded acrylic diffuser provides low brightness and even illumination.

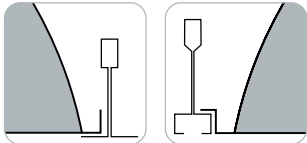
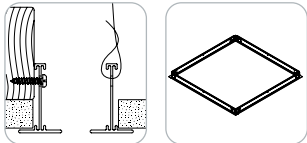
PERFORMANCE



fixture:

project:

MOUNTING INFORMATION

<p>grid</p> <p>specify "G" for flat 9/16" and 15/16" tee or "ST" for 9/16" slot tee grid types.</p>  <p>"G" flat tee Luminaires cannot be installed in T-bar ceiling systems over 1.5".</p> <p>"ST" slot tee</p>	<p>drywall frame kit</p> <p>specify "DF" Drywall Frame Kit for drywall ceiling conditions.</p>  <p>Use tie-wire or screws to secure frame kit.</p> <p>cut out dimensions: 2': Min: 24.125" Max: 24.563"</p>
--	---

SPECIFICATIONS

Construction

20 Ga. steel housing. Lamp compartment is sealed and enclosed by detachable extruded acrylic diffuser. Bottom access 20 Ga. steel ballast compartment. Weight: 23 lbs.

Optic

One-piece 20 Ga. steel side reflectors finished in Matte Satin White powder coat. 20 Ga. steel center reflector finished in High reflectance White.

Electrical

Ballasts are thermally protected and have a Class "P" rating. Optional low voltage switching available. Low Voltage Controller is designed to function seamlessly alongside delicate hospital electronics. It emits no electromagnetic noise that either patient or equipment will detect. Any number of momentary contact switches can access two circuit loads. Both circuits can be switched in a sequence by using one switch or independently using separate switches. This is achieved by using jumpers conveniently located on the Low Voltage side of the housing. Load capacity: Dual (2) 120-277V Circuits at 5 Amps each load. Switch voltage: <5V (<.5, micro amps). Switch types: sequential (load 1,2, 1&2, off); individual (each load independently). Optional 7W or 9W night light circuit is available with magnetic ballast. Consult factory for dimming specifications and availability.

Labels

UL and cUL listed.

Finish

Polyester powder coat applied over a 5-stage pre-treatment. Optional Anti-Microbial paint finish available.

ORDERING

		FMA1
Luminaire Series	Apollo 1	FMA1
Nominal Size	2' x 2'	22
Lamp Quantity		22
Two Lamp T8 or Biax Ambient	22	
Two Lamp T5HO Exam		
Lamp Type		
T8 & T5HO	T8T5HO	
40 Watt Biax & T5HO	BXT5HO	
Circuit		2C
Dual Circuit	2C	
Voltage		
120 Volt	120	
277 Volt	277	
347 Volt	347	
<small>(Consult factory for availability)</small>		
120/277 UNV Volt	UNV	
<small>(Cannot be specified with EM option)</small>		
Ballast		S
Electronic Program Start <10% THD	S	
Mounting		
Drywall Frame Kit	F	
<small>(Cut out dimensions: Min: 24.125"/Max: 24.563")</small>		
Grid Mount	G	
Slot Tee	ST	
Factory Options		
Chicago Plenum	CP	
Emergency Battery Pack*	EM	
<small>(Not available with Night Light)</small>		
Positional Clips	EQ	
Single Fuse and Holder	FU	
Low Voltage Controller*	LVC	
Night Light <small>(PL7 or PL9)</small>	NL	
Include 3000K Lamp*	L830	
Include 3500K Lamp*	L835	
Include 4100K Lamp*	L841	
Finish		
Matte Satin White	WH	
Matte Satin White Anti-Microbial	WHA	

Apollo 1 2x2

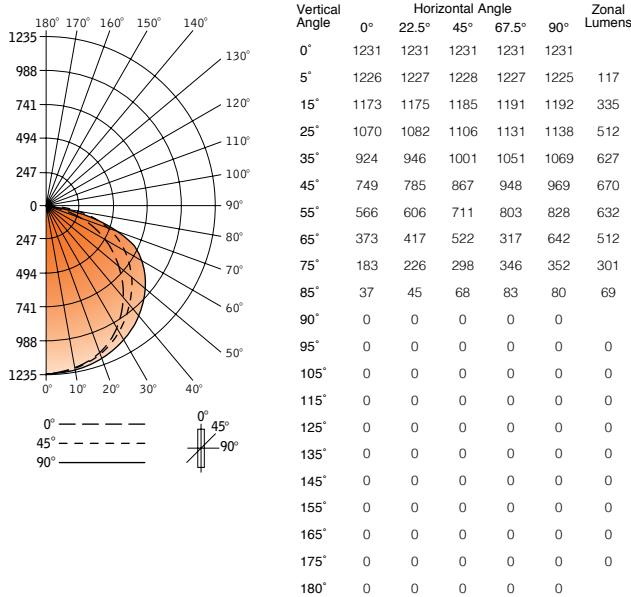
FLUORESCENT -AMBIENT & EXAM

FMA1-22-22-T8T5HO-2C-120-S-G-WH

Filename: FMA122T8T5HO.IES
Test #: 12599.0

Lumens: 3776lm
Efficiency: 56%

CANDLEPOWER DISTRIBUTION



LUMEN SUMMARY

Zone	Lumens	% Lamp	% Fixture
0-30°	964	14.2	25.5
0-40°	1592	23.4	42.2
0-60°	2893	42.5	76.6
0-90°	3776	55.5	100.0
Total Luminaire 0-180°	3776	55.5	100.0

LUMINANCE DATA (CD/M²)

Vertical Angle	Horizontal Angle		
	0°	45°	90°
45°	3088	3575	3995
55°	2877	3614	4209
65°	2573	3601	4429
75°	2061	3357	3965
85°	1238	2275	2676

CO-EFFICIENTS OF UTILIZATION

Floor Ceiling Wall	80				70			20		30		10		00	
	70	50	30	10	70	50	10	50	10	50	10	50	10	50	10
RCR 0	66	66	66	66	65	65	65	62	62	59	59	57	57	56	56
1	61	58	56	54	59	57	53	54	51	52	50	50	48	47	47
2	55	51	47	44	54	50	43	48	42	46	42	44	41	39	39
3	51	45	40	37	49	44	37	42	36	43	35	39	35	33	33
4	46	40	35	31	45	39	31	38	31	36	30	35	30	29	29
5	42	35	30	26	41	34	26	33	26	32	25	31	25	24	24
6	39	31	26	23	38	31	22	30	22	29	22	28	22	21	21
7	36	28	23	20	35	27	19	27	19	26	19	25	19	18	18
8	33	25	20	17	3	25	17	24	17	23	17	22	16	15	15
9	30	22	18	14	29	22	14	21	14	21	14	20	14	13	13
10	28	20	16	13	27	20	13	19	13	19	13	18	12	11	11

Numbers indicate percentage values of reflectivity.

Go to www.focalpointlights.com for additional photometric data.

Apollo 1 2x2

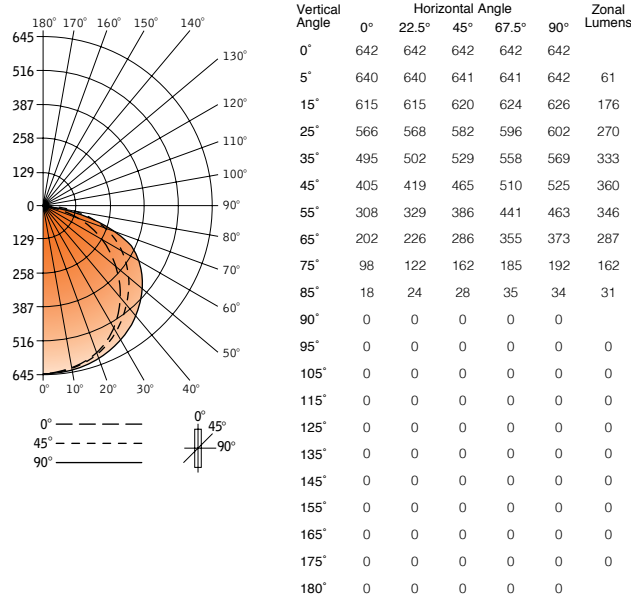
FLUORESCENT -AMBIENT ONLY

FMA1-22-22-T8T5HO-2C-120-S-G-WH (T5HO LAMPS OFF)

Filename: FMA122T8.IES
Test #: 12598.0

Lumens: 2026lm
Efficiency: 72%

CANDLEPOWER DISTRIBUTION



LUMEN SUMMARY

Zone	Lumens	% Lamp	% Fixture
0-30°	506	18.1	25.0
0-40°	840	30.0	41.4
0-60°	1545	55.2	76.3
0-90°	2026	72.3	100.0
Total Luminaire 0-180°	2026	72.3	100.0

LUMINANCE DATA (CD/M²)

Vertical Angle	Horizontal Angle		
	0°	45°	90°
45°	1670	1917	2165
55°	1566	1962	2353
65°	1394	1994	2573
75°	1104	1825	2163
85°	602	937	1137

CO-EFFICIENTS OF UTILIZATION

Floor Ceiling Wall	80				70			20		30		10		00	
	70	50	30	10	70	50	10	50	10	50	10	50	10	50	10
RCR 0	86	86	86	86	84	84	84	80	80	77	77	74	74	72	72
1	79	76	73	70	77	74	69	71	67	68	65	66	63	61	61
2	72	66	61	57	70	65	57	62	55	60	54	58	53	51	51
3	66	58	53	48	64	57	47	55	47	53	46	51	45	43	43
4	60	52	45	40	58	51	40	49	40	47	39	46	39	37	37
5	55	45	39	34	53	44	34	43	33	41	33	40	33	31	31
6	50	40	34	29	49	40	29	38	29	37	28	36	28	27	27
7	46	36	30	25	45	35	25	34	25	33	25	32	24	23	23
8	42	32	26	22	41	32	22	31	21	30	21	29	21	20	20
9	39	29	23	19	38	28	18	28	18	27	18	26	18	17	17
10	36	26	20	16	35	26	16	25	16	24	16	24	16	15	15

Numbers indicate percentage values of reflectivity.

Go to www.focalpointlights.com for additional photometric data.