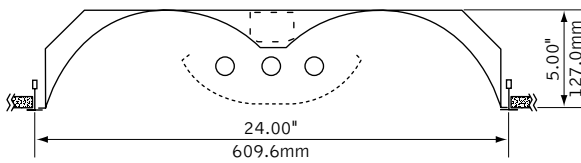


perforated



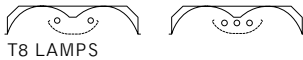
radial blade louver

DIMENSIONAL DATA

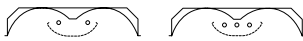


Overall height for ST luminaire is 5.50"

lamping options



T8 LAMPS



T5/T5HO LAMPS

FEATURES

2'x4' recessed indirect with perforated center basket.

Reflector and end caps form seamless one-piece housing.

High reflectance, low gloss Matte White finish controls glare and provides high efficiency.

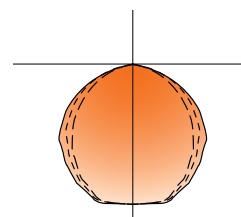
Perforated shield hinges open for quick and easy relamping.

Optional radial blade louver offers a distinct look that highlights interior architecture.

All luminaire combinations may be continuously row mounted.

Luna[®] provides high angle uniform distribution ideal for general illumination.

PERFORMANCE



2-Lamp T8
72% Efficient
1528 cd @ 10°

PRODUCT OVERVIEW

Lumen Output: 3966-10080lm
 Wattage: 62-177W
 Lamping: T5, T5HO, T8

Visit focalpointlights.com for complete photometric data.

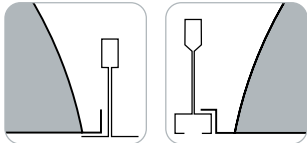
fixture:

project:

MOUNTING INFORMATION

grid

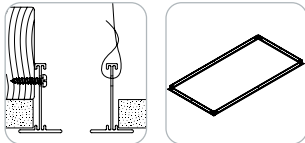
specify "G" for flat 9/16" and 15/16" tee or "ST" for 9/16" slot tee grid types.



"G" flat tee
Luminaires may be installed in T-bar ceiling systems up to 1 11/16" high in T8 lamp configurations.
Overall height for ST luminaire is 5.50".

drywall frame kit

specify "DF" Drywall Frame Kit for drywall ceiling conditions.



Use tie-wire or screws to secure frame kit.

cut out dimensions:
2': Min: 24.25"
Max: 24.563"
4': Min: 48.25"
Max: 48.563"

SPECIFICATIONS

Construction

One-piece 20 Ga. steel reflector and housing. 20 Ga. steel ends form finished housing. Lamps are shielded by detachable 22 Ga. steel perforated lamp shield with acrylic lens insert. Lamp shield is secured by four spring-pins allowing shield to hinge down for relamping. Optional radial blade louver: .75"H x 1" frequency fabricated of 20 Ga. steel with acrylic lens insert. Top access 20 Ga. steel ballast compartment. Weight: 29 lbs.

Optic

One-piece 20 Ga. steel reflectors finished in Matte Satin White powder coat.

Electrical

Electronic ballasts are thermally protected and have a Class "P" rating. Optional dimming ballasts available. Consult factory for dimming specifications and availability.

Labels

UL and cUL listed.

Finish

Polyester powder coat applied over a multi-stage pre-treatment.

ORDERING

Luminaire Series	FLU	_____
Luna	FLU	_____
Nominal Size		_____
2' x 4'	24	_____
Shielding		_____
Perforated Shield	PS	_____
Radial Blade Louver	RLP	_____
Lamp Quantity		_____
Two Lamp	2	_____
Three Lamp	3	_____
Lamp Type		_____
T8	T8	_____
(1 11/16" maximum grid height)		
T5	T5	_____
T5HO	T5HO	_____
Circuit		_____
Single Circuit	1C	_____
Dual Circuit	2C	_____
Voltage		_____
120 Volt	120	_____
277 Volt	277	_____
347 Volt	347	_____
(Consult factory for dimming options)		
UNV Volt	UNV	_____
(Cannot be specified with EM option)		
Ballast		_____
Electronic Program Start <10% THD	S	_____
0-10V	D7	_____
Lutron 1% 3-wire	DH	_____
Lutron 1% H-Series	DK	_____
Mounting		_____
Drywall Frame Kit	F	_____
(Cut out dimensions: Min: 24.25" Max: 24.563" Min: 48.25" Max: 48.563")		
Grid	G	_____
Slot Tee	ST	_____
Surface Mount	SM	_____
Factory Options		_____
Air Return	AR	_____
Chicago Plenum	CP	_____
Dust Cover	DC	_____
Emergency Battery Pack*	EM	_____
Positional Clip	EQ	_____
HLR/GLR Fuse	FU	_____
6' New York City Flex Whip	FNY	_____
6' Flex Whip	FW	_____
Include 3000K Lamp*	L830	_____
Include 3500K Lamp*	L835	_____
Include 4100K Lamp*	L841	_____
Ballast Saving Tandem*	BST	_____
Labor Saving Master Satellite*	LS	_____
Separate Circuit Tandem*	SCT	_____
Finish	WH	_____
Matte Satin White	WH	_____