

ID+ 2.5"

LED WALL WASH



clear diffuse reflector



matte black reflector



warm diffuse reflector



white trim



titanium silver trim

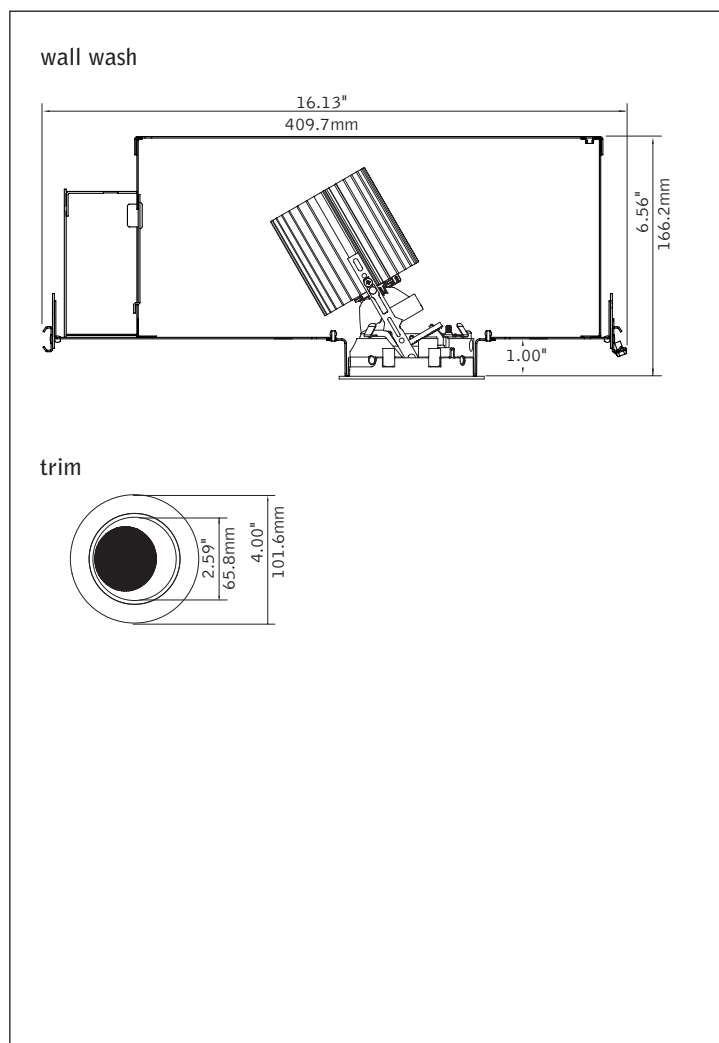


bronze trim



black trim

DIMENSIONAL DATA



FEATURES

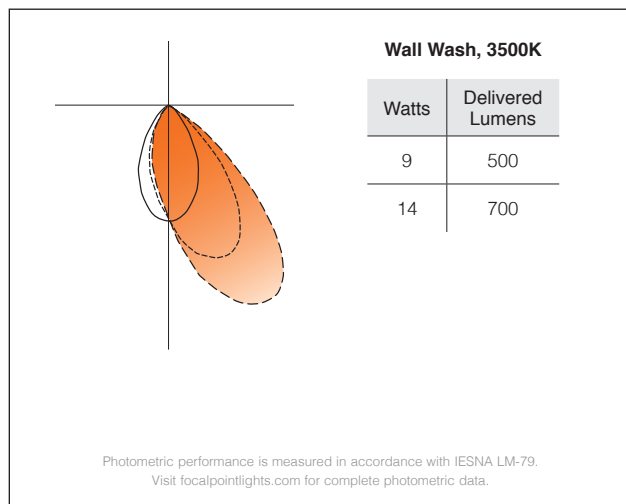
Small aperture LED 30° fixed wall wash.

Selection of dimming drivers available.

Selection of trim styles and finishes to complement any design.

Adjustable accent & downlight also available.

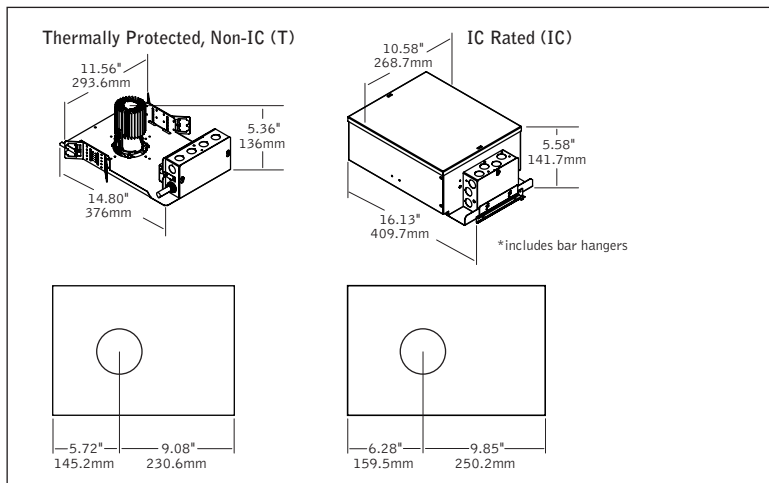
PERFORMANCE



fixture:

project:

HOUSING DETAILS



HOUSING SPECIFICATIONS

Construction

Die-formed housing and integral junction box with (7) 1/2" pry outs. Accommodates ceiling thicknesses up to 1". For thicker ceiling consult factory. Die-cast aluminum heat sink designed for maximum thermal dissipation. Fixture will not exceed 5 lb.

(T) Thermally protected housing for new construction. Insulation to be kept 3" away from housing. Butterfly brackets allow mounting to 1/2" emt. Order bar hangers as an accessory.

(IC) Insulated ceiling housing for new construction drywall/hard ceiling applications with direct insulation contact. Bar hangers included. Overlap and flush wall wash housing complies with ASTM E-283, air-tight energy codes.

Electrical

Choice of constant current dimming drivers. Power factor >.9 typical, 50/60 Hz., 350-2080mA.

Emergency battery

Bodine BSL17C-C2. Emergency output—7 watts for 90 minutes.

Labels

UL and cUL listed. Suitable for Dry or Damp Locations, indoor use only.

Lumen Maintenance

Reported: L70 at >36,000 hours
Derived from EPA TM-21 calculator.

Reliability

At Focal Point, our products are designed to stand the test of time. Each luminaire is engineered using superior components, manufactured with the utmost care and rigorously tested. Contact us for reliability data.

Warranty

LED System rated for operation in ambient environments up to 25°C. 5-year limited warranty.

TRIM SPECIFICATIONS

LED System

Proprietary LED module with one Cree MT-G2 LED. LED features EasyWhite technology for maximum efficacy, color consistency and optical control. Color accuracy within 2 SDCM.

Aesthetics

Parabolic reflector cone ensures glare free optics. Field-paintable flange. Trim clips pull trim tight to the ceiling.

Optics

Beamspread achieved with optical filters.

PERFORMANCE CHART

Lumen Output	Distribution	System Watts
500	FL	9
700	FL	14

*Tested with 3500K Clear Diffuse Reflector. **Lumen output may vary +/- 5%. 0.963 Matte Black Reflector (BK) lumen multiplier.

Focal Point LLC reserves the right to change specifications for product improvement without notification.

HOUSING ORDERING

Housing Series	ID+ 2.5" Round Housing	FLS2W
Trim Type	Round Flush	RF
	Round Overlap	RO
Lumen Output	500 Lumens	500L
	700 Lumens	700L
Distribution	Flood	FL
Voltage	120V	120
	277V	277
Driver	0-10V - 1% Dimming	L11
	0-10V - 10% Dimming	LD1
	Lutron H-Series - 1% Dimming	LH1
	Lutron 5-Series - 5% EcoSystem Digital (700L only)	LU5
	DALI - 1% Dimming	D11
	Lutron A-Series - Forward Phase (120 only)	LTE
Housing Type	Thermally Protected, Non-IC	T
	IC Rated (500L only. Not available with LU5)	IC
Factory Options	Bar Hangers (T housing only)	BH
	Chicago Plenum / National Plenum (IC housing only)	CP
	Emergency Battery Pack (Remote test switch, above ceiling access, T housing & RO trim only)	EMR

TRIM & LED MODULE

Aperture	2.5" Round Aperture	LS2
Trim Type	Round	RD
Color Temperature	2700K, 90+ CRI	927K
	3000K, 90+ CRI	930K
	3000K, 80+ CRI	30K
	3500K, 80+ CRI	35K
Optic	Wall Wash	WW
Distribution	Flood	FL
Reflector Color	Clear Diffuse	CD
	Matte Black	BK
	Warm Diffuse	WD
Flange Finish	White	WH
	Black	BK
	Titanium Silver	TS
	Bronze	BR