

ID+ 2.5"

LED WALL WASH



clear diffuse reflector



matte black reflector



warm diffuse reflector



white trim



titanium silver trim

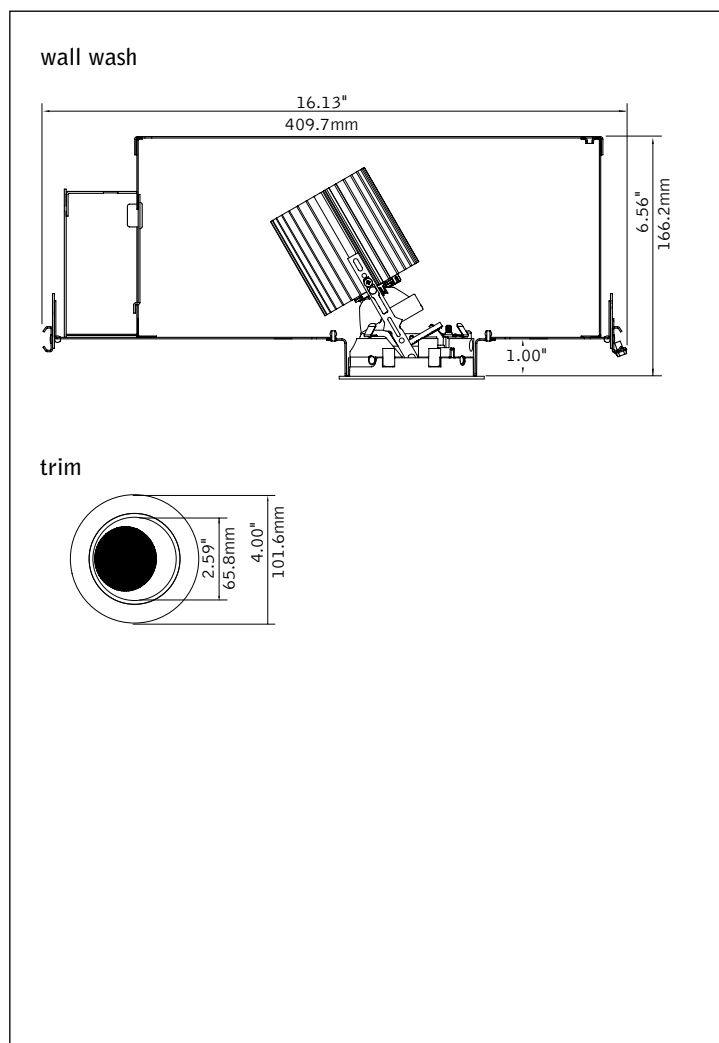


bronze trim



black trim

DIMENSIONAL DATA



FEATURES

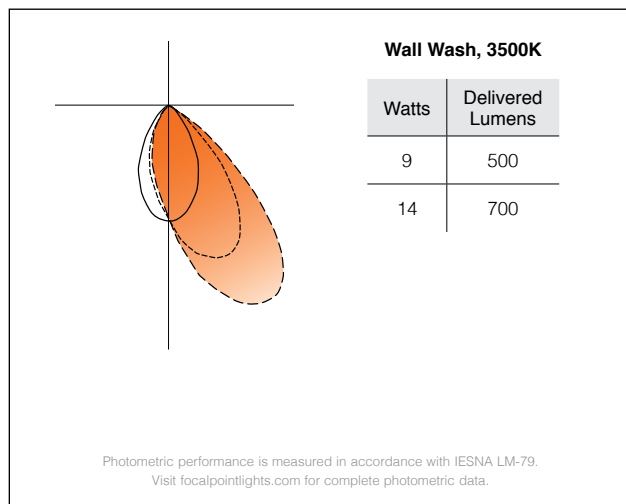
Small aperture LED 30° fixed wall wash.

Selection of dimming drivers available.

Selection of trim styles and finishes to complement any design.

Adjustable accent & downlight also available.

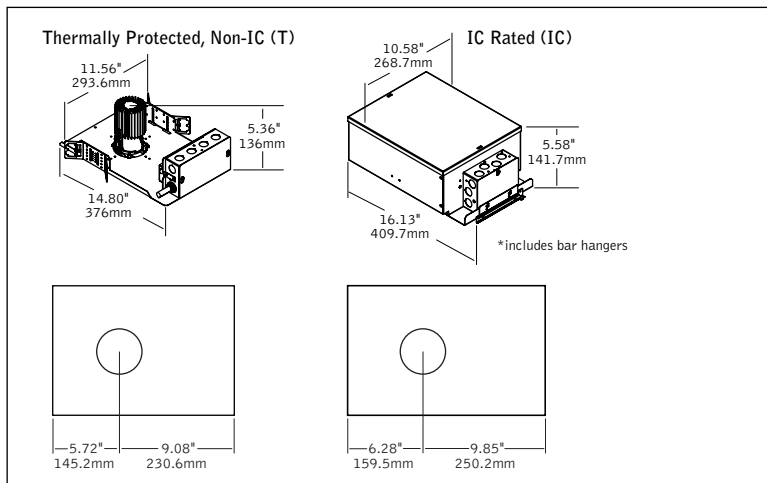
PERFORMANCE



fixture:

project:

HOUSING DETAILS



HOUSING SPECIFICATIONS

Construction

Die-formed housing and integral junction box with (7) 1/2" pry outs. Accommodates ceiling thicknesses up to 1". For thicker ceiling consult factory. Die-cast aluminum heat sink designed for maximum thermal dissipation. Fixture will not exceed 5 lb.

(T) Thermally protected housing for new construction. Insulation to be kept 3" away from housing. Butterfly brackets allow mounting to 1/2" emt. Order bar hangers as an accessory.

(IC) Insulated ceiling housing for new construction drywall/hard ceiling applications with direct insulation contact. Bar hangers included. Overlap and flush wall wash housing complies with ASTM E-283, air-tight energy codes.

Electrical

Choice of constant current dimming drivers. Power factor >.9 typical, 50/60 Hz., 350-2080mA.

Emergency battery

Bodine BSL17C-C2. Emergency output—7 watts for 90 minutes.

Labels

UL and cUL listed. Suitable for Dry or Damp Locations, indoor use only.

Lumen Maintenance

Reported: L70 at >36,000 hours
Derived from EPA TM-21 calculator.

Reliability

At Focal Point, our products are designed to stand the test of time. Each luminaire is engineered using superior components, manufactured with the utmost care and rigorously tested. Contact us for reliability data.

Warranty

LED System rated for operation in ambient environments up to 25°C. 5-year limited warranty.

TRIM SPECIFICATIONS

LED System

Proprietary LED module with one Cree MT-G2 LED. LED features EasyWhite technology for maximum efficacy, color consistency and optical control. Color accuracy within 2 SDCM.

Aesthetics

Parabolic reflector cone ensures glare free optics. Field-paintable flange. Trim clips pull tight to the ceiling.

Optics

Beamspread achieved with optical filters.

PERFORMANCE CHART

Lumen Output	Distribution	System Watts
500	FL	9
700	FL	14

*Tested with 3500K Clear Diffuse Reflector. **Lumen output may vary +/- 5%. 0.963 Matte Black Reflector (BK) lumen multiplier.

Focal Point LLC reserves the right to change specifications for product improvement without notification.

HOUSING ORDERING

Housing Series	FLS2W
ID+ 2.5" Round Housing	FLS2W
Trim Type	
Round Flush	RF
Round Overlap	RO
Lumen Output	
500 Lumens	500L
700 Lumens	700L
Distribution	FL
Flood	FL
Voltage	
120V	120
277V	277
Driver	
0-10V - 1% Dimming	L11
0-10V - 10% Dimming	LD1
Lutron A-Series - 1% EcoSystem Digital <small>(Consult factory for 3-wire control)</small>	L3D
Lutron H-Series - 1% Dimming	LH1
Lutron 5-Series - 5% EcoSystem Digital <small>(700L only)</small>	LU5
DALI - 1% Dimming	D11
Lutron A-Series - Forward Phase <small>(120 only)</small>	LTE
Housing Type	
Thermally Protected, Non-IC	T
IC Rated <small>(500L only. Not available with LU5)</small>	IC
Factory Options	
Bar Hangers <small>(T housing only)</small>	BH
Chicago Plenum / National Plenum <small>(IC housing only)</small>	CP
Emergency Battery Pack <small>(Remote test switch, above ceiling access, T housing & RO trim only)</small>	EMR
TRIM & LED MODULE	
Aperture	LS2
2.5" Round Aperture	LS2
Trim Type	RD
Round	RD
Color Temperature	
2700K, 90+ CRI	927K
3000K, 90+ CRI	930K
3000K, 80+ CRI	30K
3500K, 80+ CRI	35K
Optic	WW
Wall Wash	WW
Distribution	FL
Flood	FL
Reflector Color	
Clear Diffuse	CD
Matte Black	BK
Warm Diffuse	WD
Flange Finish	
White	WH
Black	BK
Titanium Silver	TS
Bronze	BR