

# ID+ 2.5"

LED DOWNLIGHT



FOCAL POINT®



clear diffuse reflector



matte black reflector



warm diffuse reflector



white trim



titanium silver trim

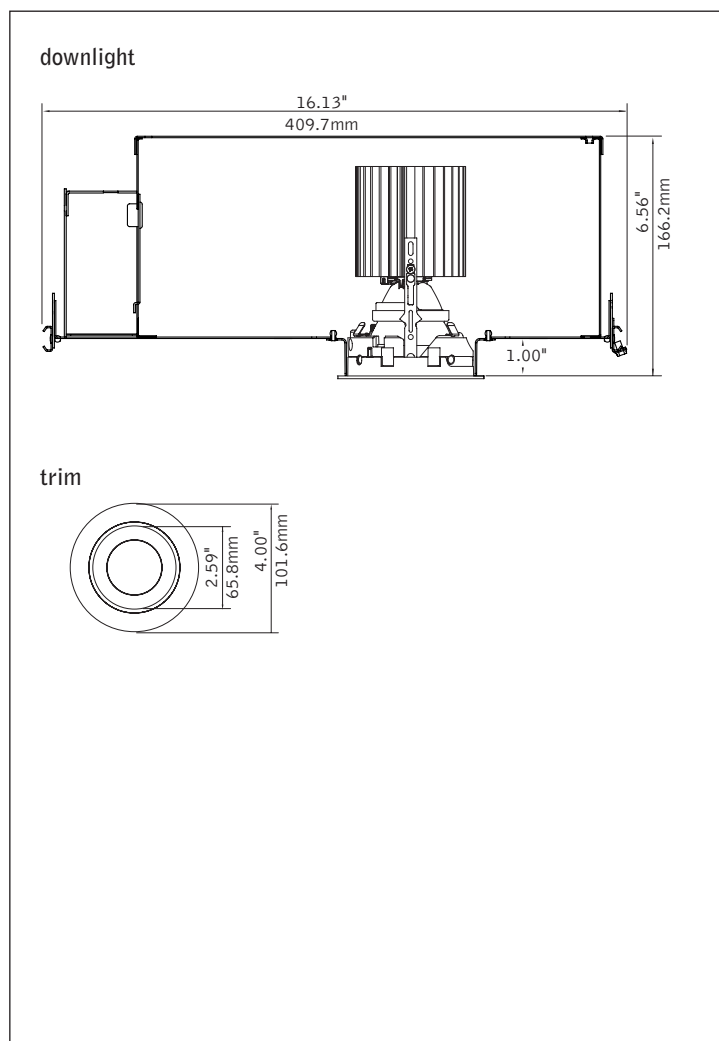


bronze trim



black trim

## DIMENSIONAL DATA



## FEATURES

Small aperture LED fixed downlight.

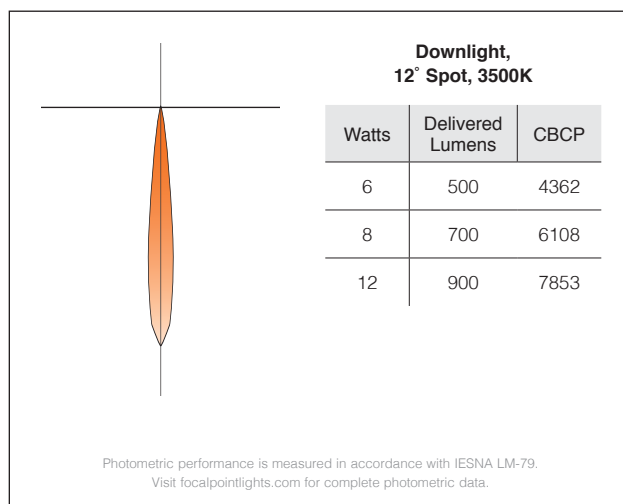
15° beam is ideal for art and object accenting, additional Beamspreads up to 60° complement any application.

Selection of dimming drivers available.

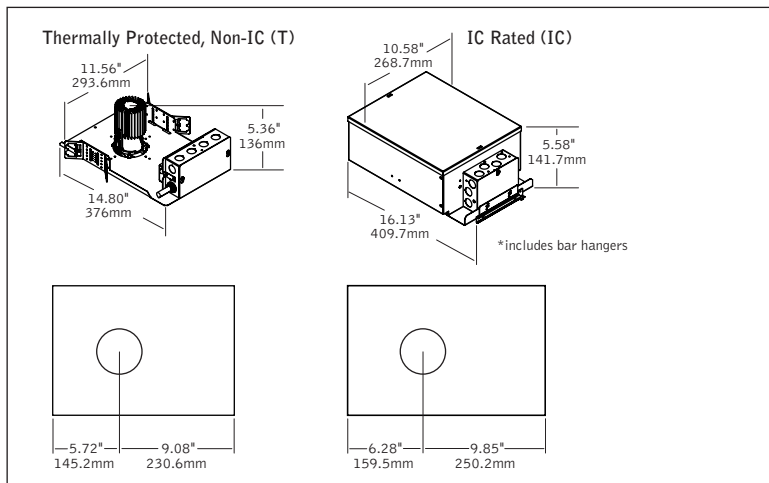
Selection of trim styles and finishes to complement any design.

Adjustable accent & wall wash also available.

## PERFORMANCE



**HOUSING DETAILS**



**HOUSING SPECIFICATIONS**

**Construction**

Die-formed housing and integral junction box with (7) 1/2" pry outs. Accommodates ceiling thicknesses up to 1". For thicker ceiling consult factory. Die-cast aluminum heat sink designed for maximum thermal dissipation. Fixture will not exceed 5 lb.

(T) Thermally protected housing for new construction. Insulation to be kept 3" away from housing. Butterfly brackets allow mounting to 1/2" emt. Order bar hangers as an accessory.

(IC) Insulated ceiling housing for new construction drywall/hard ceiling applications with direct insulation contact. Bar hangers included. Overlap and flush wall wash housing complies with ASTM E-283, air-tight energy codes.

**Electrical**

Choice of constant current dimming drivers. Power factor >.9 typical, 50/60 Hz., 350-2080mA.

**Emergency battery**

Bodine BSL17C-C2. Emergency output—7 watts for 90 minutes.

**Labels**

UL and cUL listed. Suitable for Dry or Damp Locations, indoor use only.

**Lumen Maintenance**

Reported: L70 at >36,000 hours  
Derived from EPA TM-21 calculator.

**Reliability**

At Focal Point, our products are designed to stand the test of time. Each luminaire is engineered using superior components, manufactured with the utmost care and rigorously tested. Contact us for reliability data.

**Warranty**

LED System rated for operation in ambient environments up to 25°C. 5-year limited warranty.

**TRIM SPECIFICATIONS**

**LED System**

Proprietary LED module with one Cree MT-G2 LED. LED features EasyWhite technology for maximum efficacy, color consistency and optical control. Color accuracy within 2 SDCM.

**Aesthetics**

Parabolic reflector cone ensures glare free optics. Field-paintable flange. Trim clips pull trim tight to the ceiling.

**Optics**

Beamspreads achieved with optical filters. Order accessory kits to easily change distribution in field.

**PERFORMANCE CHART**

See Page 3

**HOUSING ORDERING**

<b>Housing Series</b>	<b>FLS2D</b>
ID+ 2.5" Round Housing	FLS2D
<b>Trim Type</b>	
Round Flush	RF
Round Overlap	RO
<b>Lumen Output</b>	
500 Lumens <small>(Not available with NFL distribution. LD1, L11 &amp; D11 drivers only)</small>	500L
700 Lumens <small>(NFL &amp; LS available with LD1, L11 &amp; D11 only, SP not available with LH1.)</small>	700L
900 Lumens	900L
<b>Distribution</b>	
15° Spot	SP
20° Narrow Flood	NFL
40° Flood	FL
60° Wide Flood	WFL
Linear Spread Lens	LS
<b>Voltage</b>	
120V	120
277V	277
<b>Driver</b>	
0-10V - 1% Dimming	L11
0-10V - 10% Dimming	LD1
Lutron H-Series - 1% Dimming	LH1
Lutron 5-Series - 5% EcoSystem Digital <small>(900L only)</small>	LU5
DALI - 1% Dimming	D11
Lutron A-Series - Forward Phase <small>(120 only)</small>	LTE
<b>Housing Type</b>	
Thermally Protected, Non-IC	T
IC Rated <small>(900L - WFL not available)</small>	IC
<b>Factory Options</b>	
Bar Hangers <small>(T housing only)</small>	BH
Chicago Plenum / National Plenum <small>(IC housing only)</small>	CP
Emergency Battery Pack* <small>(Remote test switch, above ceiling access, T housing &amp; RO trim only)</small>	EMR
<b>TRIM &amp; LED MODULE</b>	
<b>Aperture</b>	<b>LS2</b>
2.5" Round Aperture	LS2
<b>Trim Type</b>	<b>RD</b>
Round	RD
<b>Color Temperature</b>	
2700K, 90+ CRI	927K
3000K, 90+ CRI	930K
3000K, 80+ CRI	30K
3500K, 80+ CRI	35K
<b>Optic</b>	<b>DN</b>
Downlight	DN
<b>Distribution</b>	
15° Spot	SP
20° Narrow Flood	NFL
40° Flood	FL
60° Wide Flood	WFL
Linear Spread Lens	LS
<b>Reflector Color</b>	
Clear Diffuse	CD
Matte Black	BK
Warm Diffuse	WD
<b>Flange Finish</b>	
White	WH
Black	BK
Titanium Silver	TS
Bronze	BR
<b>ACCESSORIES</b>	
<small>(One kit included per order as indicated in Distributon above. Order additional kits to change distribution in the field as needed.)</small>	
15° Spot Kit	LS2-SPK
20° Narrow Flood Kit	LS2-NFLK
40° Flood Kit	LS2-FLK
60° Wide Flood Kit	LS2-WFLK
Linear Spread Kit	LS2-LSK

## PERFORMANCE CHART

Delivered Lumens	System Watts	Distribution	Beamspread	Center Beam Candlepower (CBCP)
500	6	SP	15°	4362
	6	FL	40°	1038
	6	WFL	60°	574
700	8	SP	15°	6108
	7	NFL	20°	4288
	9	FL	40°	1454
	10	WFL	60°	804
900	12	SP	15°	7853
	10	NFL	20°	5512
	12	FL	40°	1870
	14	WFL	60°	1034

\*Tested with 3500K Clear Diffuse Reflector. \*\*Lumen output may vary +/- 5%. 0.963 Matte Black Reflector (BK) lumen multiplier. LU5 performance: 900L-SP & LS = 1100 lumens, 900L-NFL = 1200 lumens, 900L-FL = 1015 lumens.