

ID+ 2.5"

LED DECORATIVE LENS



FOCAL POINT®



clear frosted



green frosted



white trim



titanium silver trim

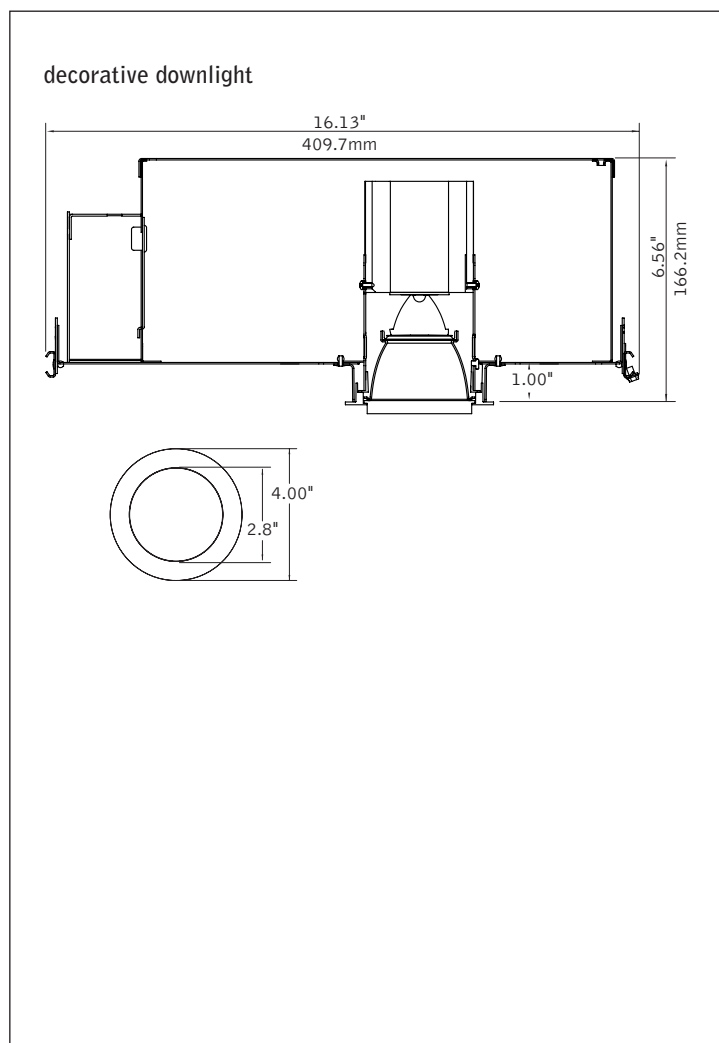


bronze trim



black trim

DIMENSIONAL DATA



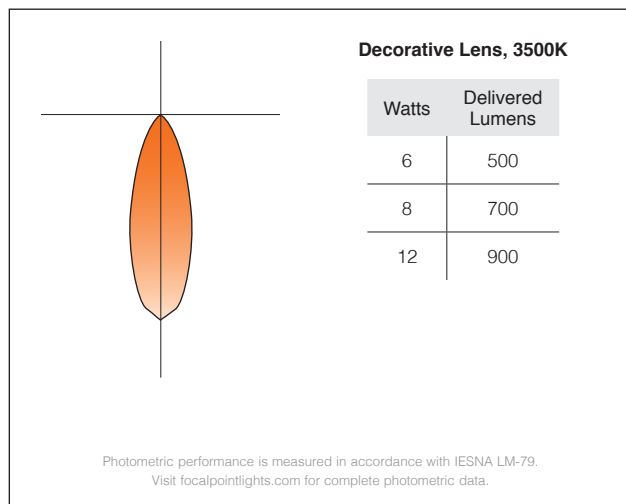
FEATURES

Small aperture LED downlight with dropped decorative lens.

Selection of dimming drivers available.

Glowing frosted lens available in two colors.

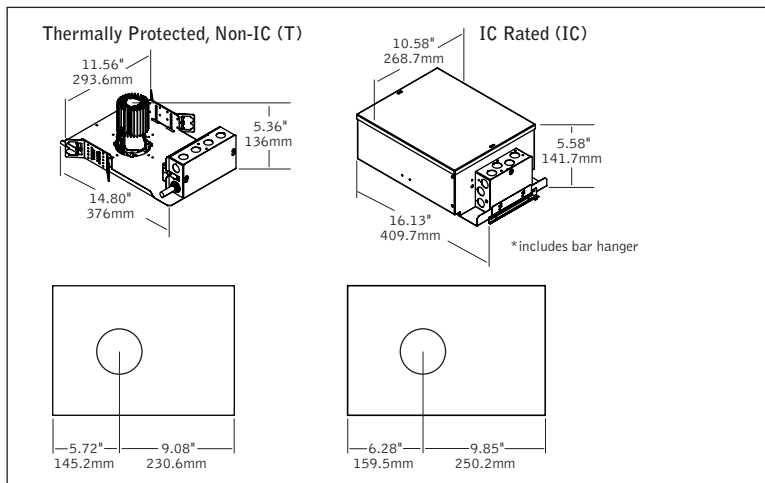
PERFORMANCE



fixture:

project:

HOUSING DETAILS



HOUSING SPECIFICATIONS

Construction

Die-formed housing and integral junction box with (7) 1/2" pry outs. Accommodates ceiling thicknesses up to 1". For thicker ceiling consult factory. Die-cast aluminum heat sink designed for maximum thermal dissipation. Fixture will not exceed 5 lb.

(T) Thermally protected housing for new construction. Insulation to be kept 3" away from housing. Butterfly brackets allow mounting to 1/2" emt. Order bar hangers as an accessory.

(IC) Insulated ceiling housing for new construction drywall/hard ceiling applications with direct insulation contact. Bar hangers included. Housing complies with ASTM E-283, air-tight energy codes.

Electrical

Choice of constant current dimming drivers. Power factor >.9 typical, 50/60 Hz., 350-2080mA.

Emergency battery

Bodine BSL17C-C2. Emergency output—7 watts for 90 minutes.

Labels

UL and cUL Listed. Wet Label standard.

Lumen Maintenance

Reported: L70 at >36,000 hours. Derived from EPA TM-21 calculator.

Reliability

At Focal Point, our products are designed to stand the test of time. Each luminaire is engineered using superior components, manufactured with the utmost care and rigorously tested. Contact us for reliability data.

Warranty

LED System rated for operation in ambient environments up to 25°C. 5-year limited warranty.

TRIM SPECIFICATIONS

LED System

Proprietary LED module with one Cree MT-G2 LED. LED features EasyWhite technology for maximum efficacy, color consistency and optical control. Color accuracy within 2 SDCM.

Aesthetics

Field-paintable flange. Trim clips pull trim tight to the ceiling.

PERFORMANCE CHART

Delivered Lumens	Distribution	System Watts
500	NFL	6
700	NFL	8
900	NFL	12

*Tested with 3000K Clear Diffuse Reflector. **Lumen output may vary +/- 5%. 0.777 90 CRI lumen multiplier. Values in grey are estimated based on a relative comparison to the tested data.

HOUSING ORDERING

Housing Series		FLS2DD
ID+ 2.5" Round Housing		
Trim Type		
Round Flush		RF
Round Overlap		RO
Lumen Output		
500 Lumens		500L
<small>(LD1, L11 and D11 drivers only)</small>		
700 Lumens		700L
900 Lumens		900L
Distribution		NFL
20° Narrow Flood		NFL
Voltage		
120V		120
277V		277
Driver		
0-10V - 1% Dimming		L11
0-10V - 10% Dimming		LD1
Lutron A-Series -		L3D
1% EcoSystem Digital		
<small>(Consult factory for 3-wire control)</small>		
Lutron H-Series - 1% Dimming		LH1
Lutron 5-Series -		LU5
5% EcoSystem Digital		
<small>(900L only)</small>		
DALI - 1% Dimming		D11
Lutron A-Series - Forward Phase		LTE
<small>(120 only)</small>		
Housing Type		
Thermally Protected, Non-IC		T
IC Rated		IC
<small>(Not available with LU5)</small>		
Factory Options		
Bar Hangers		BH
<small>(T housing only)</small>		
Chicago Plenum / National Plenum		CP
<small>(IC housing only)</small>		
Emergency Battery Pack		EMR
<small>(Remote test switch, above ceiling access, T housing & RO trim only)</small>		
TRIM & LED MODULE		
Aperture		LS2
2.5" Round Aperture		LS2
Trim Type		RD
Round		RD
Color Temperature		
2700K, 90+ CRI		927K
3000K, 80+ CRI or 90+ CRI		30K or 930K
3500K, 80+ CRI		35K
Optic		
Decorative downlight with Clear frosted lens		DNC
Decorative downlight with Green frosted lens		DNG
Distribution		NFL
20° Narrow Flood		NFL
Reflector Color		CD
Clear Diffuse		CD
Flange Finish		
White		WH
Black		BK
Titanium Silver		TS
Bronze		BR