

ID+ 2.5"

LED ADJUSTABLE ACCENT



FOCAL POINT®



clear diffuse reflector



matte black reflector



warm diffuse reflector



white trim



titanium silver trim

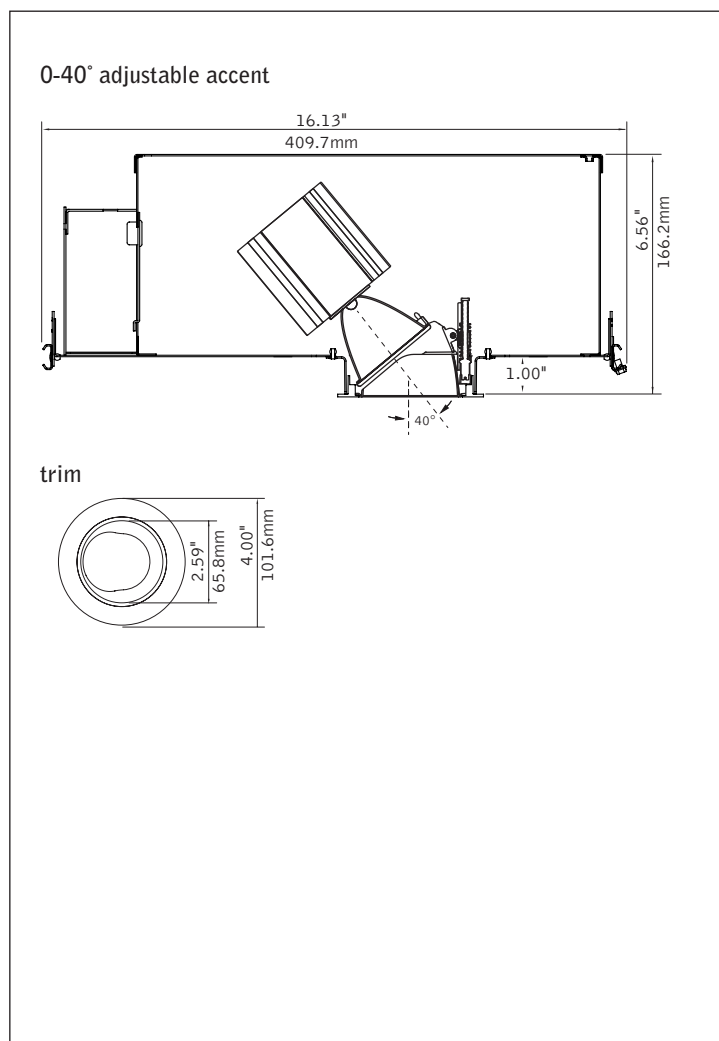


bronze trim



black trim

DIMENSIONAL DATA



FEATURES

Small aperture LED adjustable accent.

15° beam is ideal for art and object accenting, additional beamreads up to 60° complement any application.

Adjustable accent allows for hot aiming with locking 40° vertical tilt and 362° rotation.

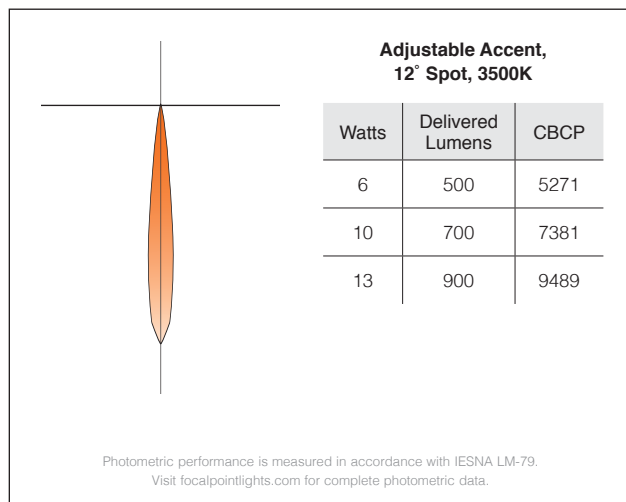
Center Beam Optic allows maximum light output at all tilt angles.

Selection of dimming drivers available.

Selection of trim styles and finishes to complement any design.

Fixed downlight and wall washer also available.

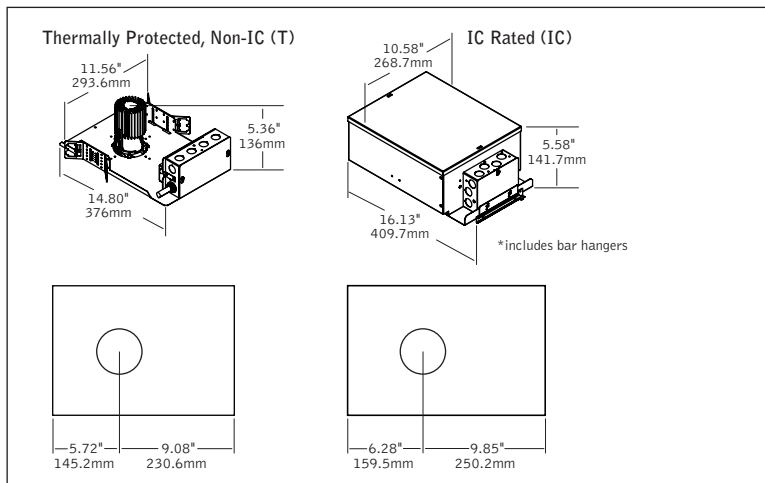
PERFORMANCE



fixture:

project:

HOUSING DETAILS



HOUSING SPECIFICATIONS

Construction

Die-formed housing and integral junction box with (7) 1/2" pry outs. Accommodates ceiling thicknesses up to 1". For thicker ceiling consult factory. Die-cast aluminum heat sink designed for maximum thermal dissipation. Fixture will not exceed 5 lb.

(T) Thermally protected housing for new construction. Insulation to be kept 3" away from housing. Butterfly brackets allow mounting to 1/2" emt. Order bar hangers as an accessory.

(IC) Insulated ceiling housing for new construction drywall/hard ceiling applications with direct insulation contact. Bar hangers included. Overlap and flush wall wash housing complies with ASTM E-283, air-tight energy codes.

Electrical

Choice of constant current dimming drivers. Power factor >.9 typical, 50/60 Hz., 350-2080mA.

Emergency battery

Bodine BSL17C-C2. Emergency output—7 watts for 90 minutes.

Labels

UL and cUL listed. Suitable for Dry or Damp Locations, indoor use only.

Lumen Maintenance

Reported: L70 at >36,000 hours
Derived from EPA TM-21 calculator.

Reliability

At Focal Point, our products are designed to stand the test of time. Each luminaire is engineered using superior components, manufactured with the utmost care and rigorously tested. Contact us for reliability data.

Warranty

LED System rated for operation in ambient environments up to 25°C. 5-year limited warranty.

TRIM SPECIFICATIONS

LED System

Proprietary LED module with one Cree MT-G2 LED. LED features EasyWhite technology for maximum efficacy, color consistency and optical control. Color accuracy within 2 SDCM.

Adjustment

Manual locking 40° vertical tilt and 362° rotation.

Aesthetics

Parabolic reflector cone ensures glare free optics. Field-paintable flange. Trim clips pull tight to the ceiling.

Optics

Beamspreads achieved with optical filters. Order accessory kits to easily change distribution in field.

PERFORMANCE CHART

See Page 3

Focal Point LLC reserves the right to change specifications for product improvement without notification.

HOUSING ORDERING

Housing Series	FLS2A
ID+ 2.5" Round Housing	FLS2A
Trim Type	
Round Flush	RF
Round Overlap	RO
Lumen Output	
500 Lumens <small>(Not available with NFL distribution. LD1, L11 & D11 drivers only)</small>	500L
700 Lumens <small>(NFL not available with LH1)</small>	700L
900 Lumens <small>(Not available with WFL distribution.)</small>	900L
Distribution	
15° Spot	SP
20° Narrow Flood	NFL
40° Flood	FL
60° Wide Flood	WFL
Linear Spread Lens	LS
Voltage	
120V	120
277V	277
Driver	
0-10V - 1% Dimming	L11
0-10V - 10% Dimming	LD1
Lutron H-Series - 1% Dimming	LH1
Lutron 5-Series - 5% EcoSystem Digital <small>(900L only)</small>	LU5
DALI - 1% Dimming	D11
Lutron A-Series - Forward Phase <small>(120 only)</small>	LTE
Housing Type	
Thermally Protected, Non-IC	T
IC Rated <small>(900L with NFL & LS only)</small>	IC
Factory Options	
Bar Hangers (T housing only)	BH
Chicago Plenum / National Plenum <small>(IC housing only)</small>	CP
Emergency Battery Pack <small>(Remote test switch, above ceiling access, T housing & RO trim only)</small>	EMR
TRIM & LED MODULE	
Aperture	LS2
2.5" Round Aperture	LS2
Trim Type	RD
Round	RD
Color Temperature	
2700K, 90+ CRI	927K
3000K, 90+ CRI	930K
3000K, 80+ CRI	30K
3500K, 80+ CRI	35K
Optic	AA
Adjustable Accent	AA
Distribution	
15° Spot	SP
20° Narrow Flood	NFL
40° Flood	FL
60° Wide Flood	WFL
Linear Spread Lens	LS
Reflector Color	
Clear Diffuse	CD
Matte Black	BK
Warm Diffuse	WD
Flange Finish	
White	WH
Black	BK
Titanium Silver	TS
Bronze	BR

ACCESSORIES

(One kit included per order as indicated in Distribution above. Order additional kits to change distribution in the field as needed.)

15° Spot Kit	LS2-SPK
20° Narrow Flood Kit	LS2-NFLK
40° Flood Kit	LS2-FLK
60° Wide Flood Kit	LS2-WFLK
Linear Spread Kit	LS2-LSK

PERFORMANCE CHART

Delivered Lumens	System Watts	Distribution	Beamspread	Center Beam Candlepower (CBCP)
500	6	SP	15°	5271
	6	FL	40°	729
	7	WFL	60°	564
700	10	SP	15°	7381
	8	NFL	20°	4488
	10	FL	40°	1020
	11	WFL	60°	790
900	13	SP	15°	9489
	11	NFL	20°	5771
	13	FL	40°	1312
	14	WFL	60°	1015

*Tested with 3500K Clear Diffuse Reflector. **Lumen output may vary +/- 5%. 0.963 Matte Black Reflector (BK) lumen multiplier. LU5 performance: 900L - NFL = 1200 Lumens, 1100L-FL = 1015 Lumens, 900L - LS = 1100L..