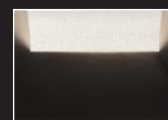


ID+ 2.5" x 2.5"

LED DOWNLIGHT



clear diffuse reflector



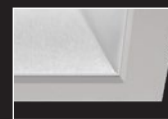
matte black reflector



warm diffuse reflector



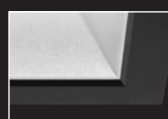
white trim



titanium silver trim

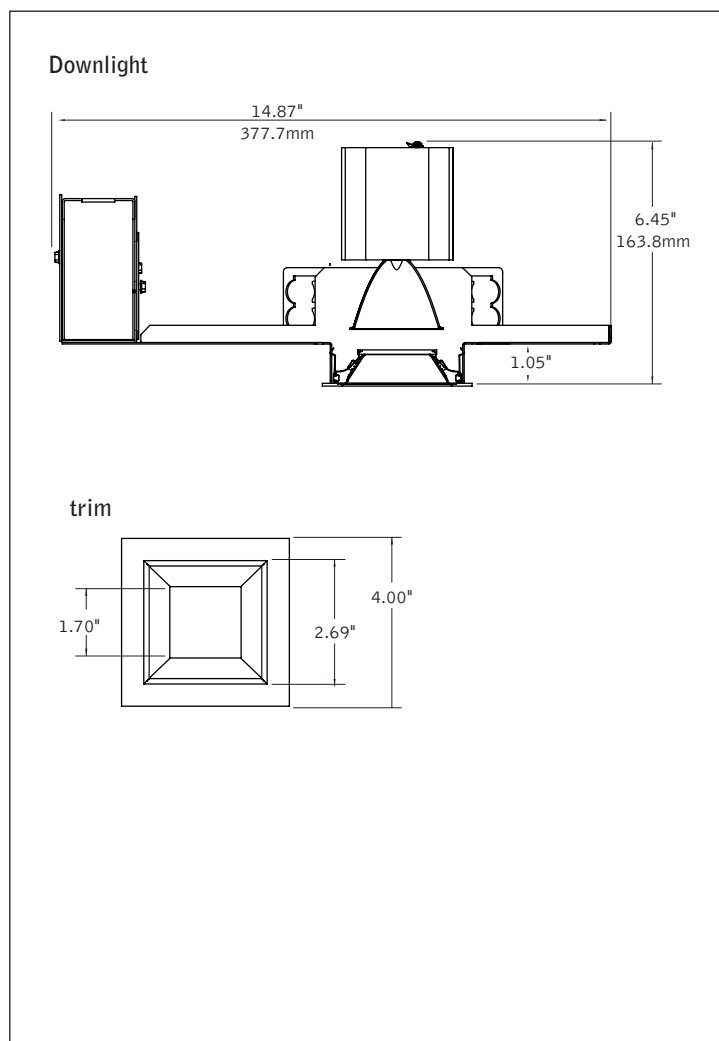


bronze trim



black trim

DIMENSIONAL DATA



FEATURES

Small aperture LED fixed downlight.

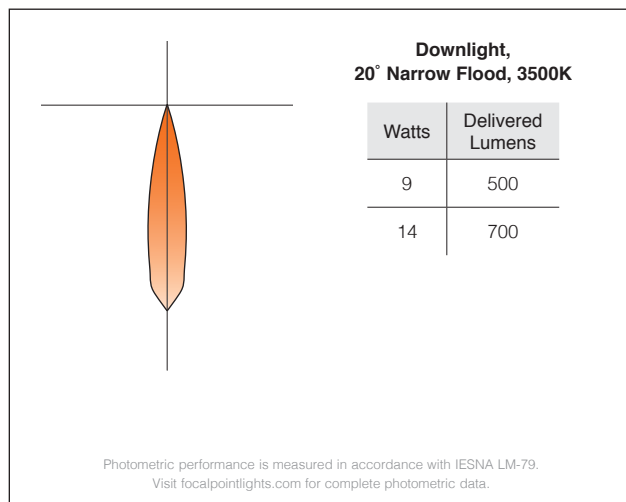
15° beam is ideal for art and object accenting, additional Beamspreads up to 60° complement any application.

Selection of dimming drivers available.

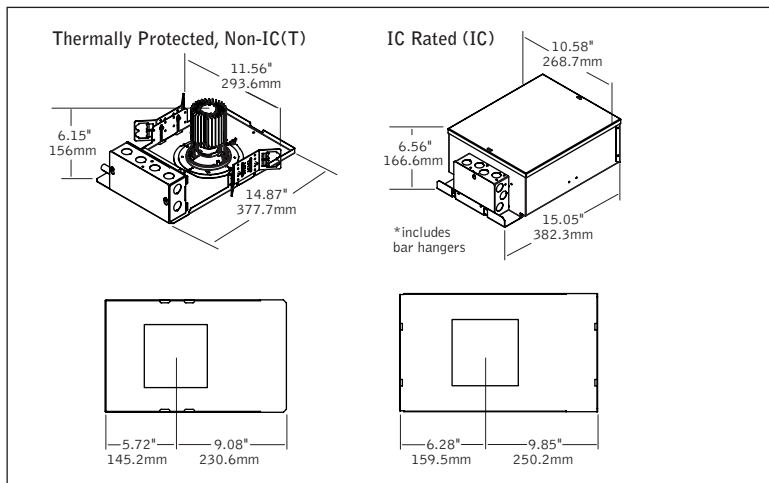
Selection of trim styles and finishes to complement any design.

Adjustable accent & wall wash also available.

PERFORMANCE



HOUSING DETAILS



HOUSING SPECIFICATIONS

Construction

Die-formed housing and integral junction box with (7) 1/2" pry outs. Accommodates ceiling thicknesses up to 1". For thicker ceiling consult factory. Die-cast aluminum heat sink designed for maximum thermal dissipation. Fixture will not exceed 5 lb.

(T) Thermally protected housing for new construction. Insulation to be kept 3" away from housing. Butterfly brackets allow mounting to 1/2" emt. Order bar hangers as an accessory.

(IC) Insulated ceiling housing for new construction drywall/hard ceiling applications with direct insulation contact. Bar hangers included. Overlap and flush wall wash housing complies with ASTM E-283, air-tight energy codes.

Electrical

Choice of constant current dimming drivers. Power factor >.9 typical, 50/60 Hz., 350-2080mA.

Emergency battery

Bodine BSL17C-C2. Emergency output—7 watts for 90 minutes.

Labels

UL and cUL listed. Suitable for Dry or Damp Locations, indoor use only.

Lumen Maintenance

Reported: L70 at >36,000 hours
Derived from EPA TM-21 calculator.

Reliability

At Focal Point, our products are designed to stand the test of time. Each luminaire is engineered using superior components, manufactured with the utmost care and rigorously tested. Contact us for reliability data.

Warranty

LED System rated for operation in ambient environments up to 25°C. 5 year limited warranty.

TRIM SPECIFICATIONS

LED System

Proprietary LED module with color accuracy within 2 SDCM.

Aesthetics

Parabolic reflector cone ensures glare free optics. Field-paintable flange. Trim clips pull trim tight to the ceiling.

Optics

Beamspreads achieved with optical filters.

PERFORMANCE CHART

See Page 3

HOUSING ORDERING

Housing Series	FLS22D	_____
ID+ 2.5" Square Housing	FLS22	_____
Trim Type		_____
Square Flush	SF	_____
Square Overlap	SO	_____
Lumen Output		_____
500 Lumens	500L	_____
700 Lumens	700L	_____
Voltage		_____
120V	120	_____
277V	277	_____
Driver		_____
0-10V - 1% Dimming	L11	_____
0-10V - 10% Dimming	LD1	_____
Lutron H-Series - 1% Dimming	LH1	_____
Lutron 5-Series - 5% EcoSystem Digital (700L only)	LU5	_____
DALI - 1% Dimming	D11	_____
Lutron A-Series - Forward Phase (120 only)	LTE	_____
Housing Type		_____
Thermally Protected, Non-IC	T	_____
IC Rated (500L only)	IC	_____
Factory Options		_____
Bar Hangers (T housing only)	BH	_____
Chicago Plenum / National Plenum (IC housing only)	CP	_____
Emergency Battery Pack (Remote test switch, above ceiling access, T housing & SO trim only)	EM	_____
TRIM & LED MODULE		_____
Aperture	LS22	_____
2.5" Square Aperture	LS22	_____
Trim Type		_____
Square	SQ	_____
Color Temperature		_____
2700K, 90+ CRI	927K	_____
3000K, 90+ CRI	930K	_____
3000K, 80+ CRI	30K	_____
3500K, 80+ CRI	35K	_____
Optic	DN	_____
Downlight	DN	_____
Distribution		_____
15° Spot	SP	_____
20° Narrow Flood	NFL	_____
40° Flood	FL	_____
60° Wide Flood	WFL	_____
Reflector Color		_____
Clear Diffuse	CD	_____
Matte Black	BK	_____
Warm Diffuse	WD	_____
Flange Finish		_____
White	WH	_____
Black	BK	_____
Titanium Silver	TS	_____
Bronze	BR	_____
ACCESSORIES		_____
(One kit included per order as indicated in Distributor above. Order additional kits to change distribution in the field as needed.)		_____
15° Spot Kit	LS22-SPK	_____
20° Narrow Flood Kit	LS22-NFLK	_____
40° Flood Kit	LS22-FLK	_____
60° Wide Flood Kit	LS22-WFLK	_____

PERFORMANCE CHART

Delivered Lumens	System Watts	Distribution	Beamspread	Center Beam Candlepower (CBCP)
500L	9	SP	15°	2457
	9	NFL	20°	3008
	9	FL	40°	617
	9	WFL	60°	550
700L	14	SP	15°	3510
	14	NFL	20°	4224
	14	FL	40°	882

*Tested with 3500K Clear Diffuse Reflector. **Lumen output may vary +/- 5%. 0.963 Matte Black Reflector (BK) lumen multiplier. LU5 performance: WFL = 400L, SP & FL = 515L.