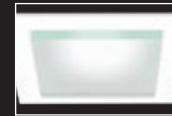


ID+ 2.5" x 2.5"

LED DECORATIVE LENS



solid clear frosted



solid green frosted



open clear frosted



white trim



titanium silver trim

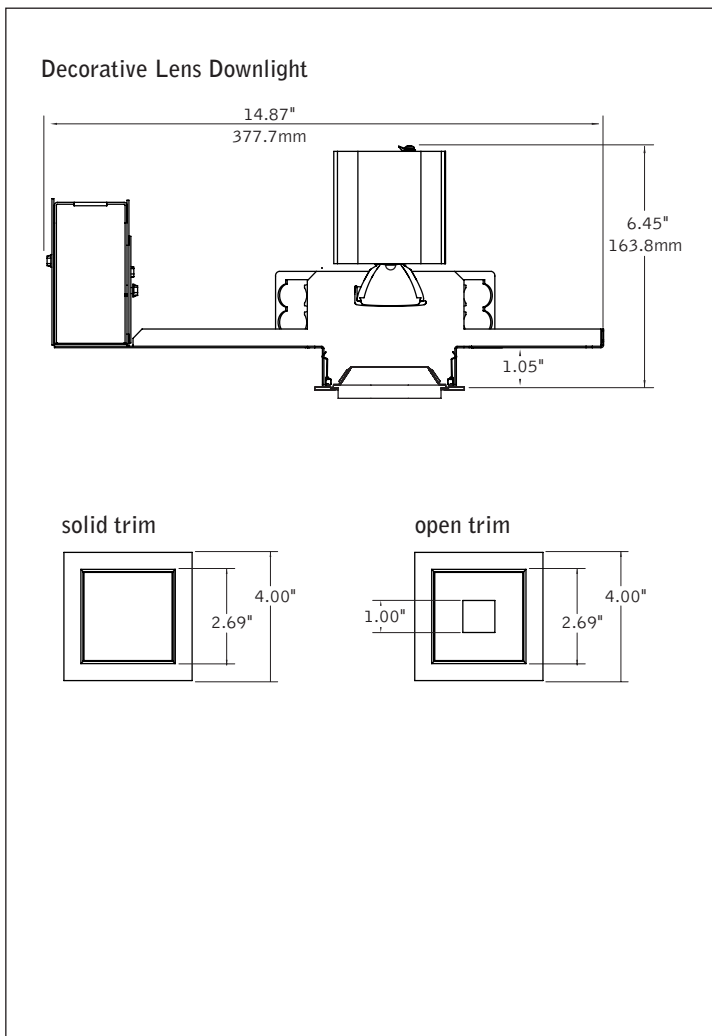


bronze trim



black trim

DIMENSIONAL DATA



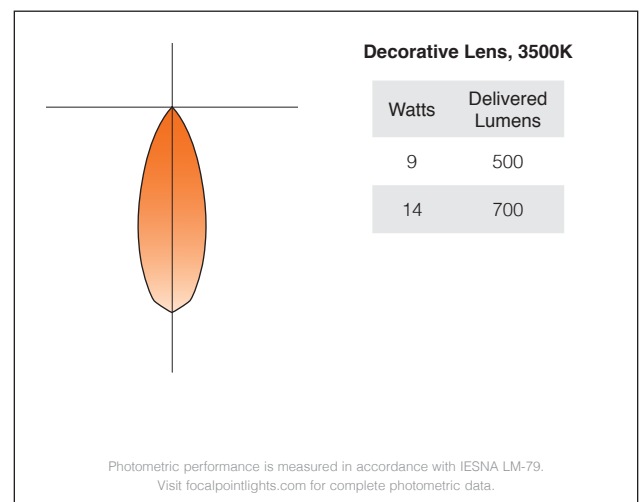
FEATURES

Small aperture LED downlight with dropped decorative lens.

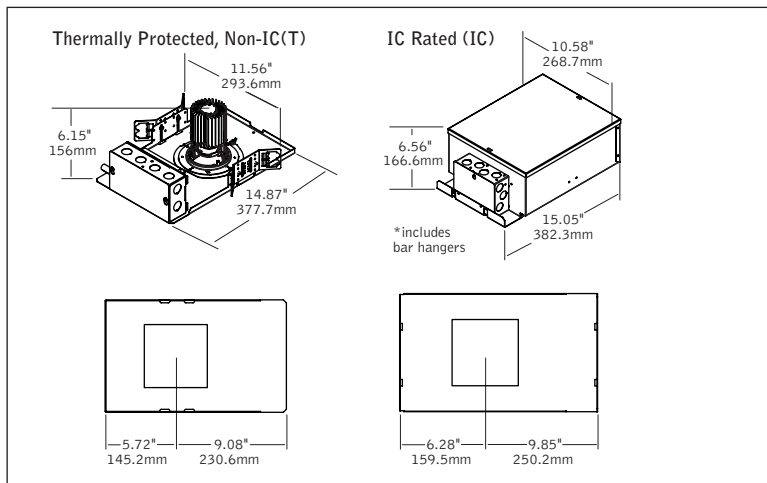
Selection of dimming drivers available.

Glowing frosted lens available in two colors.

PERFORMANCE



HOUSING DETAILS



HOUSING SPECIFICATIONS

Construction

Die-formed housing and integral junction box with (7) 1/2" pry outs. Accommodates ceiling thicknesses up to 1". For thicker ceiling consult factory. Die-cast aluminum heat sink designed for maximum thermal dissipation. Fixture will not exceed 5 lb.

(T) Thermally protected housing for new construction. Insulation to be kept 3" away from housing. Butterfly brackets allow mounting to 1/2" emt. Order bar hangers as an accessory.

(IC) Insulated ceiling housing for new construction drywall/hard ceiling applications with direct insulation contact. Bar hangers included. Housing complies with ASTM E-283, air-tight energy codes.

Electrical

Choice of constant current dimming drivers. Power factor >.9 typical, 50/60 Hz., 350-2080mA.

Emergency battery

Bodine BSL17C-C2. Emergency output—7 watts for 90 minutes.

Labels

UL and cUL Listed. Wet Label standard for solid lens options.

Lumen Maintenance

Reported: L70 at >36,000 hours
Derived from EPA TM-21 calculator.

Reliability

At Focal Point, our products are designed to stand the test of time. Each luminaire is engineered using superior components, manufactured with the utmost care and rigorously tested. Contact us for reliability data.

Warranty

LED System rated for operation in ambient environments up to 25°C. 5-year limited warranty.

TRIM SPECIFICATIONS

LED System

Proprietary LED module with color accuracy within 2 SDCM.

Aesthetics

Field-paintable flange. Trim clips pull trim tight to the ceiling.

PERFORMANCE CHART

Lumen Output	Distribution	System Watts
500L	NFL	9
700L	NFL	14

*Tested with 3500K Clear Diffuse Reflector. **Lumen output may vary +/- 5%. 0.777 90 CRI lumen multiplier.

HOUSING ORDERING

Housing Series	FLS22DD
ID+ 2.5" Square Housing	FLS22DD
Trim Type	
Square Flush	SF
Square Overlap	SO
Lumen Output	
500 Lumens	500L
700 Lumens	700L
Voltage	
120V	120
277V	277
Driver	
0-10V - 1% Dimming	L11
0-10V - 10% Dimming	LD1
Lutron A-Series - 1% EcoSystem Digital <small>(Consult factory for 3-wire control)</small>	L3D
Lutron H-Series - 1% Dimming	LH1
Lutron 5-Series - 5% EcoSystem Digital <small>(700L only)</small>	LU5
DALI - 1% Dimming	D11
Lutron A-Series - Forward Phase <small>(120 only)</small>	LTE
Housing Type	
Thermally Protected, Non-IC	T
IC Rated <small>(500L only)</small>	IC
Factory Options	
Bar Hangers <small>(T housing only)</small>	BH
Chicago Plenum / National Plenum <small>(IC housing only)</small>	CP
Emergency Battery Pack <small>(Remote test switch, above ceiling access, T housing & SO trim only)</small>	EM
TRIM & LED MODULE	
Aperture	LS22
2.5" Square Aperture	LS22
Trim Type	SQ
Square	SQ
Color Temperature	
2700K, 90+ CRI	927K
3000K, 80+ CRI or 90+ CRI	30K or 930K
3500K, 80+ CRI	35K
Optic	
Decorative downlight with Solid Clear frosted lens	DNC
Decorative downlight with Solid Green frosted lens	DNG
Decorative downlight with Open Clear frosted lens	DNOC
Decorative downlight with Open Green frosted lens	DNOG
Distribution	NFL
20° Narrow Flood	NFL
Reflector Color	CD
Clear Diffuse	CD
Flange Finish	
White	WH
Black	BK
Titanium Silver	TS
Bronze	BR