

# ID+ 2.5" x 2.5"

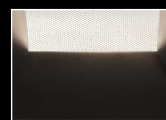
LED ADJUSTABLE ACCENT



FOCAL POINT®



clear diffuse reflector



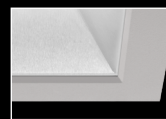
matte black reflector



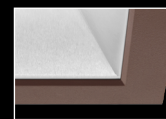
warm diffuse reflector



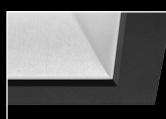
white trim



titanium silver trim

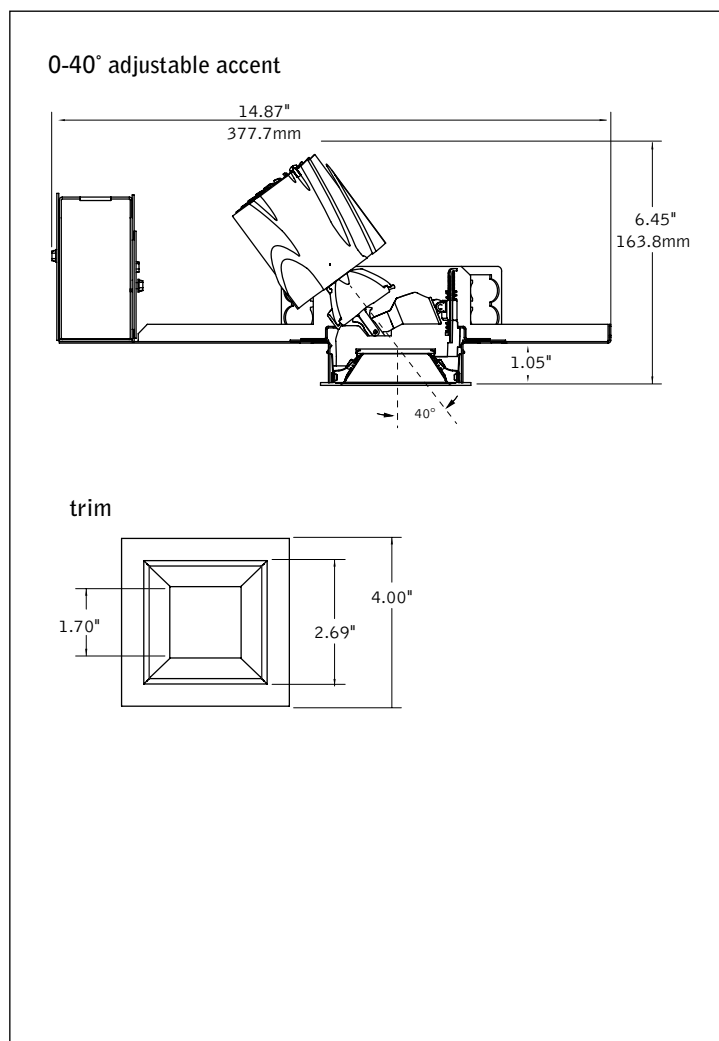


bronze trim



black trim

## DIMENSIONAL DATA



## FEATURES

Small aperture LED adjustable accent.

15° beam is ideal for art and object accenting, additional Beamspreads up to 60° complement any application.

Adjustable accent allows for hot aiming with locking 40° vertical tilt and 362° rotation.

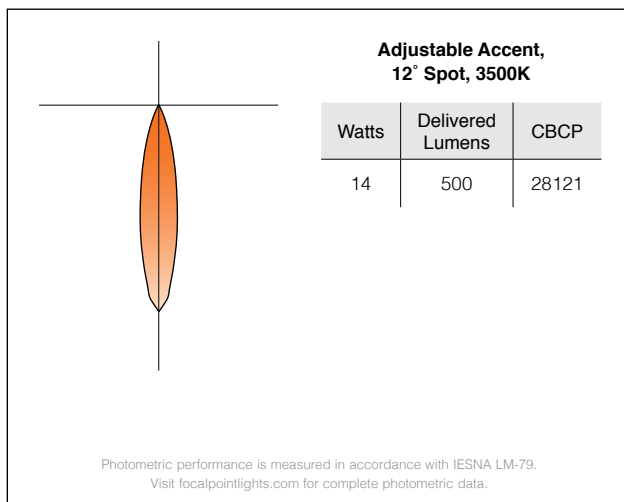
Center Beam Optic allows maximum light output at all tilt angles.

Selection of dimming drivers available.

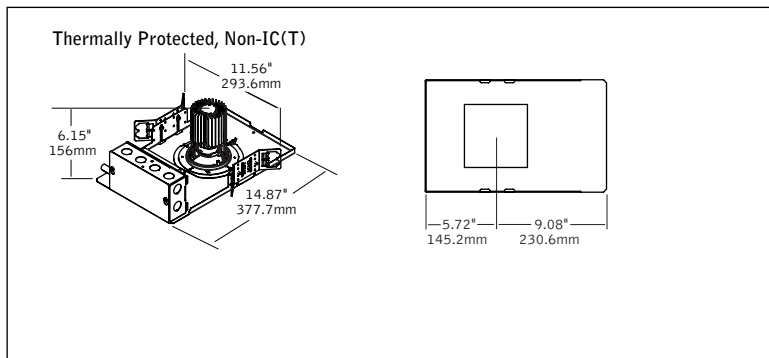
Selection of trim styles and finishes to complement any design.

Fixed downlight & wall wash also available.

## PERFORMANCE



**HOUSING DETAILS**



**HOUSING SPECIFICATIONS**

**Construction**

Die-formed housing and integral junction box with (7) 1/2" pry outs. Accommodates ceiling thicknesses up to 1". For thicker ceiling consult factory. Die-cast aluminum heat sink designed for maximum thermal dissipation. Fixture will not exceed 5 lb. Thermally protected housing for new construction. Insulation to be kept 3" away from housing. Butterfly brackets allow mounting to 1/2" emt. Order bar hangers as an accessory.

**Electrical**

Choice of constant current dimming drivers. Power factor >.9 typical, 50/60 Hz., 350-2080mA.

**Emergency battery**

Bodine BSL17C-C2. Emergency output—7 watts for 90 minutes.

**Labels**

UL and cUL listed. Suitable for Dry or Damp Locations, indoor use only.

**Lumen Maintenance**

Reported: L70 at >36,000 hours  
Derived from EPA TM-21 calculator.

**Reliability**

At Focal Point, our products are designed to stand the test of time. Each luminaire is engineered using superior components, manufactured with the utmost care and rigorously tested. Contact us for reliability data.

**Warranty**

LED System rated for operation in ambient environments up to 25°C. 5-year limited warranty.

**TRIM SPECIFICATIONS**

**LED System**

Proprietary LED module with color accuracy within 2 SDCM.

**Adjustment**

Manual locking 40° vertical tilt and 362° rotation.

**Aesthetics**

Parabolic reflector cone ensures glare free optics. Field-paintable flange. Trim clips pull trim tight to the ceiling.

**Optics**

Beamspreads achieved with optical filters that may be easily changed in field.

**PERFORMANCE CHART**

Delivered Lumens	System Watts	Distribution	Beamspread	Center Beam Candlepower (CBCP)
500	14	SP	15°	28121
	14	NFL	20°	4543
	14	FL	40°	882
	14	WFL	60°	550

\*Tested with 3500K Clear Diffuse Reflector. \*\*Lumen output may vary +/- 5%. 0.963 Matte Black Reflector (BK) lumen multiplier. LU5 Performance:WFL = 400L and NFL = 750L.

**HOUSING ORDERING**

<b>Housing Series</b>	FLS22	<b>FLS22A</b>
ID+ 2.5" Square Housing	FLS22	
<b>Trim Type</b>		
Square Flush	SF	
Square Overlap	SO	
<b>Lumen Output</b>		<b>500L</b>
500 Lumens	500L	
<b>Voltage</b>		
120V	120	
277V	277	
<b>Driver</b>		
0-10V - 1% Dimming	L11	
0-10V - 10% Dimming	LD1	
Lutron A-Series -	L3D	
1% EcoSystem Digital <small>(Consult factory for 3-wire control)</small>	LH1	
Lutron H-Series - 1% Dimming	LH1	
Lutron 5-Series -	LU5	
5% EcoSystem Digital	LU5	
DALI - 1% Dimming	D11	
Lutron A-Series - Forward Phase <small>(120 only)</small>	LTE	

<b>Housing Type</b>		<b>T</b>
Thermally Protected, Non-IC	T	
<b>Factory Options</b>		
Bar Hangers	BH	
Emergency Battery Pack <small>(Remote test switch, above ceiling access, SO trim only)</small>	EM	

**TRIM & LED MODULE**

<b>Aperture</b>		<b>LS22</b>
2.5" Square Aperture	LS22	
<b>Trim Type</b>		<b>SQ</b>
Square	SQ	
<b>Color Temperature</b>		
2700K, 90+ CRI	927K	
3000K, 90+ CRI	930K	
3000K, 80+ CRI	30K	
3500K, 80+ CRI	35K	

<b>Optic</b>		<b>AA</b>
Adjustable Accent	AA	
<b>Distribution</b>		
15° Spot	SP	
20° Narrow Flood	NFL	
40° Flood	FL	
60° Wide Flood	WFL	

<b>Reflector Color</b>		
Clear Diffuse	CD	
Matte Black	BK	
Warm Diffuse	WD	

<b>Flange Finish</b>		
White	WH	
Black	BK	
Titanium Silver	TS	
Bronze	BR	

**ACCESSORIES**

(One kit included per order as indicated in Distribution above. Order additional kits to change distribution in the field as needed.)

15° Spot Kit	LS22-SPK	
20° Narrow Flood Kit	LS22-NFLK	
40° Flood Kit	LS22-FLK	
60° Wide Flood Kit	LS22-WFLK	