

# ID+ 4.5" Cylinder

LED PENDANT WITH DECORATIVE REVEAL



Black with White Glow



Palladium Silver with White Glow



Black with Black Non-Glow



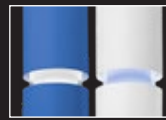
Palladium Silver with Black Non-Glow



Shallow Canopy



Power Canopy



Custom Color Combination

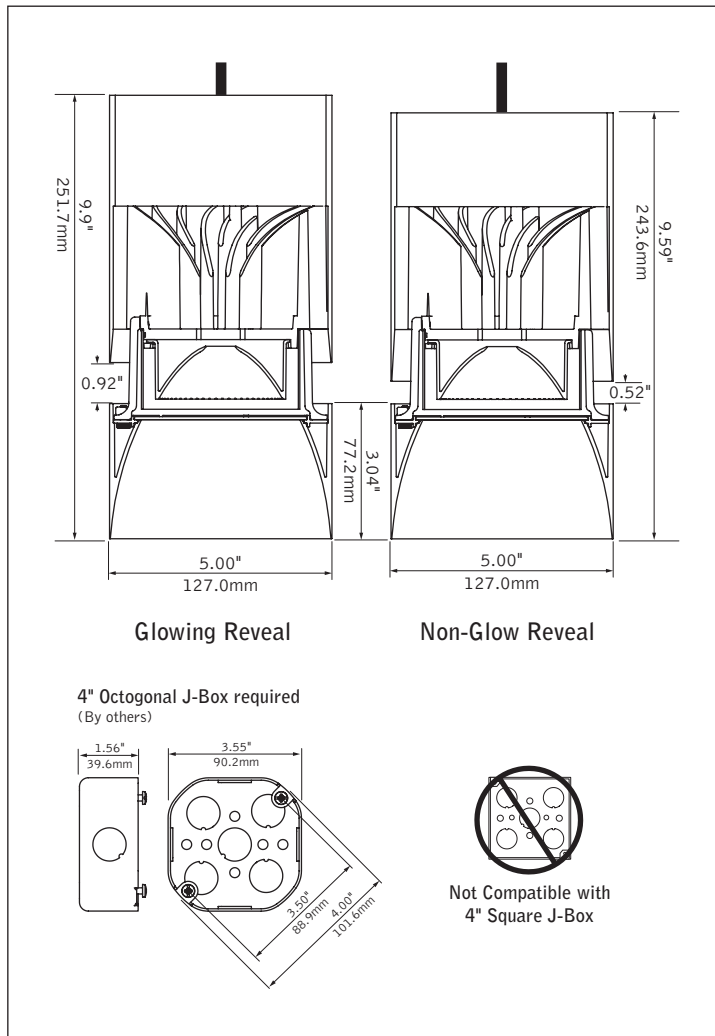


Surface Mount Companion



Trimless Downlight Companion

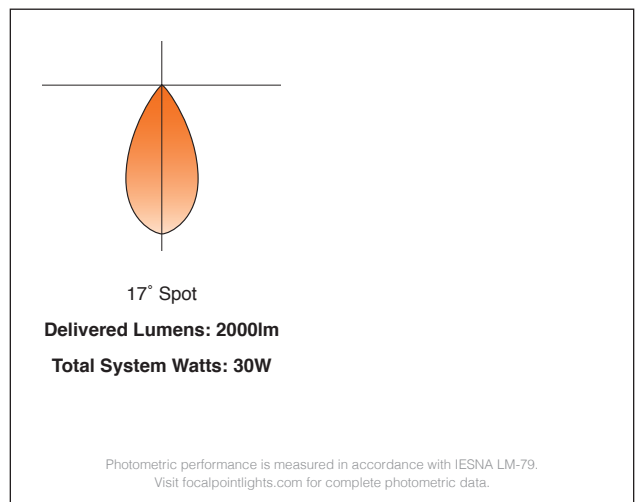
## DIMENSIONAL DATA (continued on page 3)



## FEATURES

- 4.5" cylinder pendant with decorative reveal.
- Decorative reveal available with or without glow.
- Custom color options for finish and glowing reveal.
- One-piece die-cast reflector with a knife edge for a modern aesthetic.
- 50° cut-off for brightness control and visual comfort.
- ChromaSure: Color consistency resulting in a 2-step MacAdam ellipse across the entire ID+ product line.

## PERFORMANCE



fixture:

project:

### SPECIFICATIONS

#### LED System

Proprietary LED module with single light emitting source. May be specified in 2700K, 3000K, 3500K or 4000K in CRI>80 or CRI>90. Color accuracy within 2 SDCM. Aluminum heat sink provides appropriate thermal management.

#### Construction

Upper housing is extruded aluminum. Lower reflector is die-cast aluminum. Twist & lock construction leaves no visible fasteners within the knife edge trim. Fixture will not exceed 5 lb.

#### Optics

Beam spreads achieved with optics that may be easily changed in field.

Cut-off degree	Distribution Beam Spread   Spacing Criteria				
	SP	NFL	FL	WFL	SWFL
50°	17°   0.28	26°   0.30	37°   0.44	55°   0.80	-
80°	-	-	-	-	82°   1.18

#### Electrical

Choice of constant current dimming drivers. Power factor > .9 typical. L11 & LFP with Shallow Canopy, Integral Driver not Right Light as standard, consult factory.

#### Emergency

Emergency output —7W for 90 minutes. Maximum mounting height: 16ft. J-box cannot be recessed above the ceiling with Emergency Battery.

#### Labels

UL and cUL listed. Suitable for Dry or Damp Locations, indoor use only.

#### Finish

Polyester powder coat applied over a multi-stage pre-treatment.

#### Lumen Maintenance

Reported: L70 > 54,000 hours                      Calculated: L70 at > 420,000 hours  
L90 > 54,000 hours                                  L90 at > 109,000 hours  
(Derived from EPA TM-21 calculator. Based on typical conditions, consult factory for additional data.)

#### Reliability

At Focal Point, our products are designed to stand the test of time. Each luminaire is engineered using superior components, manufactured with the utmost care and rigorously tested. Contact us for reliability data.

#### Warranty

LED system rated for operation in ambient environments up to 25°C. 5 year limited warranty.

### PERFORMANCE CHART

Delivered Lumens	System Watts	LPW
1000	15	70
1500	22	69
2000	30	67
2500	38	64

Glowing Reveal, 3500K, 80CRI, Clear Diffuse, Spot distribution. Lumen output may vary +/- 5%. Actual wattage may vary +/- 5%.

### ORDERING

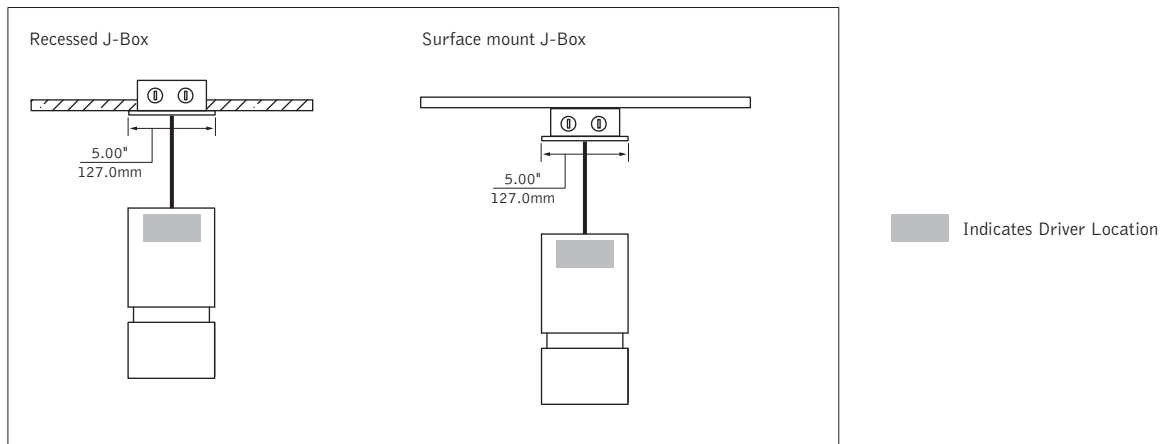
<b>Luminaire Series</b> ID+ 4.5" Round Cylinder	FLCY4	<b>FLCY4</b>
<b>Trim Type</b> Round	RD	<b>RD</b>
<b>Decorative Reveal</b> White Non-Glow Reveal Black Non-Glow Reveal White Glowing Reveal Custom Color Glowing Reveal <small>(Specify your RAL color value. Extended lead time consult factory.)</small>	WHR BKR WHG RAL_ _ _ _ _	
<b>Lumen Output</b> 1000 Lumens 1500 Lumens 2000 Lumens 2500 Lumens	1000L 1500L 2000L 2500L	
<b>Color Temperature</b> 2700K, 80 CRI 3000K, 80 CRI 3500K, 80 CRI 4000K, 80 CRI 2700K, 90 CRI 3000K, 90 CRI 3500K, 90 CRI 4000K, 90 CRI <small>(1000L &amp; 1500L only)</small>	27K 30K 35K 40K 927K 930K 935K 940K	
<b>Circuit</b> Single Circuit	1C	<b>1C</b>
<b>Voltage</b> 120/277 UNV 120 Volt 277 Volt	UNV 120 277	
<b>Canopy Configuration</b> Shallow Canopy, Integral Driver <small>(L11 &amp; LFP only)</small> Power Canopy	SC PC	
<b>Control System &amp; Dimming Level</b> 0-10V - 0% Dimming 0-10V - 1% Dimming Forward Phase - 1% Dimming <small>(Shallow Canopy, Integral Driver, 120V only)</small> Lutron Hi-Lume EcoSystem (LDE1) - 1% Dimming Lutron Hi-Lume - Forward Phase - 1% Dimming <small>(120V only)</small> Lutron 5-Series EcoSystem (LDE5) - 5% Dimming DALI - 0% Dimming DALI - 1% Dimming	LZ1 L11 LFP LH1 LTE LU5 DZ1 D11	
<b>Mounting</b> Cable, Straight Feed <small>(72" cable, cut in field)</small>	C72	<b>C72</b>
<b>Optic</b> 50° Cut-off Cone <small>(Not available with SWFL distribution)</small> 50° Cut-off Cone with Solite Lens <small>(NFL distribution only)</small> 80° Cut-off Cone <small>(SWFL distribution only)</small>	DNT DNTS DSS	
<b>Distribution</b> Spot Narrow Flood Flood Wide Flood Super Wide Flood	SP NFL FL WFL SWFL	
<b>Factory Options</b> Emergency Battery <small>(Power Canopy only. J-box cannot be recessed above the ceiling. Remote test switch.)</small>	EMR	
<b>Reflector Color</b> Clear Diffuse	CD	<b>CD</b>
<b>Luminaire Finish</b> <small>(Cylinder and canopy finish match)</small> Black with Black cord White with White cord Palladium Silver with Black cord Custom Color with White cord <small>(Specify your RAL color value. Extended lead time consult factory.)</small>	BK WH PS RAL_ _ _ _ _	

# ID+ 4.5" Cylinder

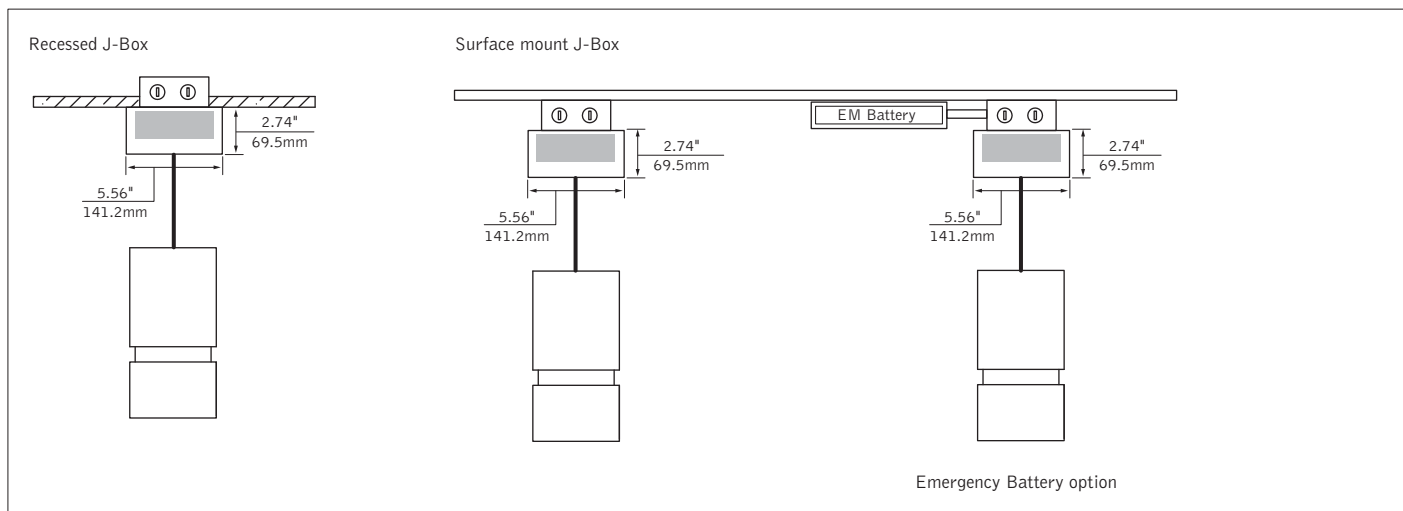
LED PENDANT WITH DECORATIVE REVEAL

## DIMENSIONAL DATA CONTINUED

### SC - Shallow Canopy, Integral Driver



### PC - Power Canopy



# ID+ 4.5" Cylinder

LED PENDANT WITH DECORATIVE REVEAL

## LUMEN PERFORMANCE MULTIPLIER CHART

Option	Description	Ordering Code	Multiplier
Color Temperature	2700K, 80+ CRI	27K	0.93
	2700K, 90+ CRI	927K	0.76
	3000K, 80+ CRI	30K	1.00
	3000K, 90+ CRI	930K	0.81
	3500K, 80+ CRI	35K	1.00
	3500K, 90+ CRI	935K	0.86
	4000K, 80+ CRI	40K	1.00
	4000K, 90+ CRI	940K	0.86
Distribution	Spot (17°)	SP	1.00
	Narrow Flood (26°)	NFL	0.98
	Flood 1 (37°)	FL	0.96
	Wide Flood (55°)	WFL	0.91
	Super Wide Flood (82°)	SWFL	0.56
Decorative Reveal	White Non-Glow Reveal	WHR	0.94
	Black Non-Glow Reveal	BKR	0.94
	White Glowing Reveal	WHG	1.00
Optics	50° Cut-Off Cone	DNT	1.00
	50° Cut-Off Cone with Solite Lens	DNTS	0.90
	80° Cut-Off Cone	DSS	1.00