

ID+ 4.5" Cylinder

LED SURFACE MOUNT WITH DECORATIVE REVEAL



FOCAL POINT®



Black with White Glow



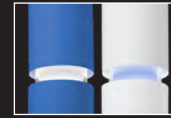
Palladium Silver with White Glow



Black with Black Non-Glow



Palladium Silver with Black Non-Glow



Custom Color Combination

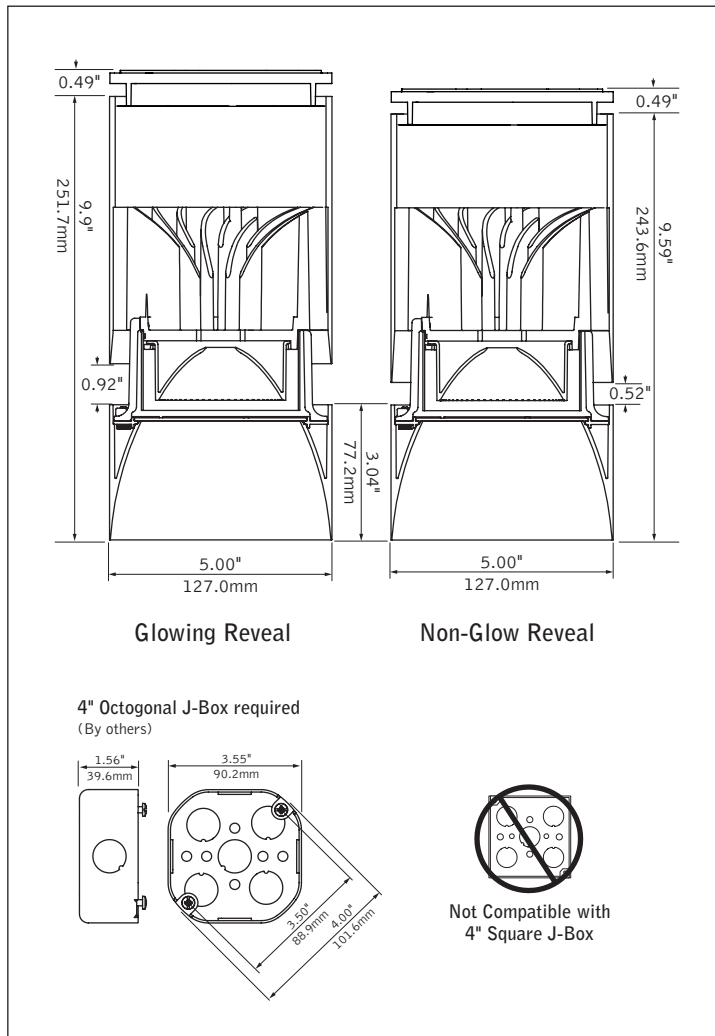


Surface Mount Companion



Trimless Downlight Companion

DIMENSIONAL DATA (continued on page 3)



FEATURES

4.5" surface mount cylinder with decorative reveal.

Decorative reveal available with or without glow.

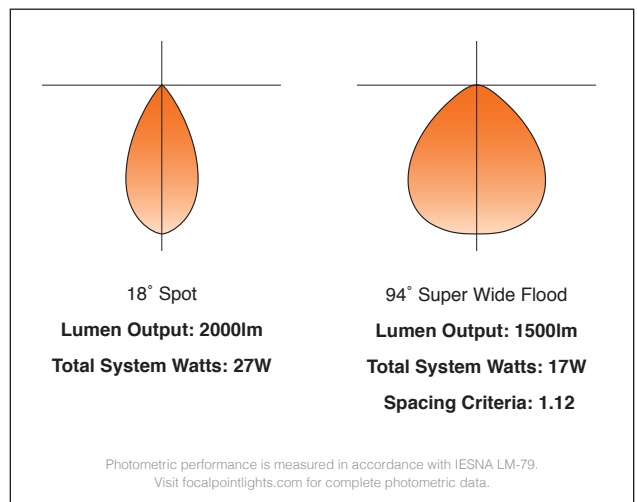
Custom color options for finish and glowing reveal.

One-piece die-cast reflector with a knife edge for a modern aesthetic.

50° cut-off for brightness control and visual comfort.

ChromaSure: Color consistency resulting in a 2-step MacAdam ellipse across the entire ID+ product line.

PERFORMANCE



fixture:

project:

SPECIFICATIONS

LED System

Proprietary LED module with single light emitting source. May be specified in 2700K, 3000K, 3500K or 4000K in CRI>80 or CRI>90. Color accuracy within 2 SDCM. Aluminum heat sink provides appropriate thermal management.

Construction

Upper housing is extruded aluminum. Lower reflector is die-cast aluminum. Twist & lock construction leaves no visible fasteners within the knife edge trim. Fixture will not exceed 5 lb.

Optics

Beam spreads achieved with optics that may be easily changed in field.

Cut-off degree	Distribution Beam Spread Spacing Criteria				
	SP	NFL	FL	WFL	SWFL
50°	18° 0.28	26° 0.30	33° 0.44	58° 0.80	-
80°	-	-	-	-	94° 1.18

Electrical

Choice of constant current dimming drivers. Power factor > .9 typical. L11 & LFP with Shallow Canopy, Integral Driver not Right Light as standard, consult factory.

Emergency

Emergency output — 7W for 90 minutes. Maximum mounting height: 16ft. J-box cannot be recessed above the ceiling with Emergency Battery.

Labels

UL and cUL listed. Suitable for Dry or Damp Locations, indoor use only.

Finish

Polyester powder coat applied over a multi-stage pre-treatment.

Lumen Maintenance

Reported: L70 > 54,000 hours Calculated: L70 at > 420,000 hours
 L90 > 54,000 hours L90 at > 109,000 hours
 (Derived from EPA TM-21 calculator. Based on typical conditions, consult factory for additional data.)

Reliability

At Focal Point, our products are designed to stand the test of time. Each luminaire is engineered using superior components, manufactured with the utmost care and rigorously tested. Contact us for reliability data.

Warranty

LED system rated for operation in ambient environments up to 25°C. 5 year limited warranty.

PERFORMANCE TABLE

Lumen Output	Delivered Lumens	System Watts	LPW
1000L	974	12	81
1500L	1566	17	92
2000L	2017	27	75
2500L	2532	36	70

Glowing Reveal, 3500K, 80CRI, Clear Diffuse, Spot distribution. Lumen output may vary +/- 5%. Actual wattage may vary +/- 5%.

ORDERING

Luminaire Series ID+ 4.5" Round Cylinder	FLCY4	FLCY4
Trim Type Round	RD	RD
Decorative Reveal White Non-Glow Reveal Black Non-Glow Reveal White Glowing Reveal Custom Color Glowing Reveal (Specify your RAL color value. Extended lead time consult factory.)	WHR BKR WHG RAL_ _ _ _	
Lumen Output 1000 Lumens 1500 Lumens 2000 Lumens 2500 Lumens	1000L 1500L 2000L 2500L	
Color Temperature 2700K, 80+ CRI or 90+ CRI 3000K, 80+ CRI or 90+ CRI 3500K, 80+ CRI or 90+ CRI 4000K, 80+ CRI or 90+ CRI* (*1000L & 1500L only)	27K or 927K 30K or 930K 35K or 935K 40K or 940K*	
Circuit Single Circuit	1C	1C
Voltage 120/277 UNV 120 Volt 277 Volt	UNV 120 277	
Canopy Configuration Shallow Canopy, Integral Driver (L11 & LFP only)	SC	SC
Control System & Dimming Level 0-10V - 1% Dimming Forward Phase - 1% Dimming (120V only) (Consult factory for Lutron options)	L11 LFP	
Mounting Surface Mount	SM	SM
Optic 50° Cut-off Cone (Not available with SWFL distribution) 50° Cut-off Cone with Solite Lens (NFL distribution only) 80° Cut-off Cone (SWFL distribution only)	DNT DNTS DSS	
Distribution Spot Narrow Flood Flood Wide Flood Super Wide Flood	SP NFL FL WFL SWFL	
Factory Options Emergency Battery (J-box cannot be recessed above the ceiling. Remote test switch.)	EMR	
Reflector Color Clear Diffuse	CD	CD
Luminaire Finish (Cylinder and canopy finish match) Black White Palladium Silver Custom Color (Specify your RAL color value. Extended lead time consult factory.)	BK WH PS RAL_ _ _ _	

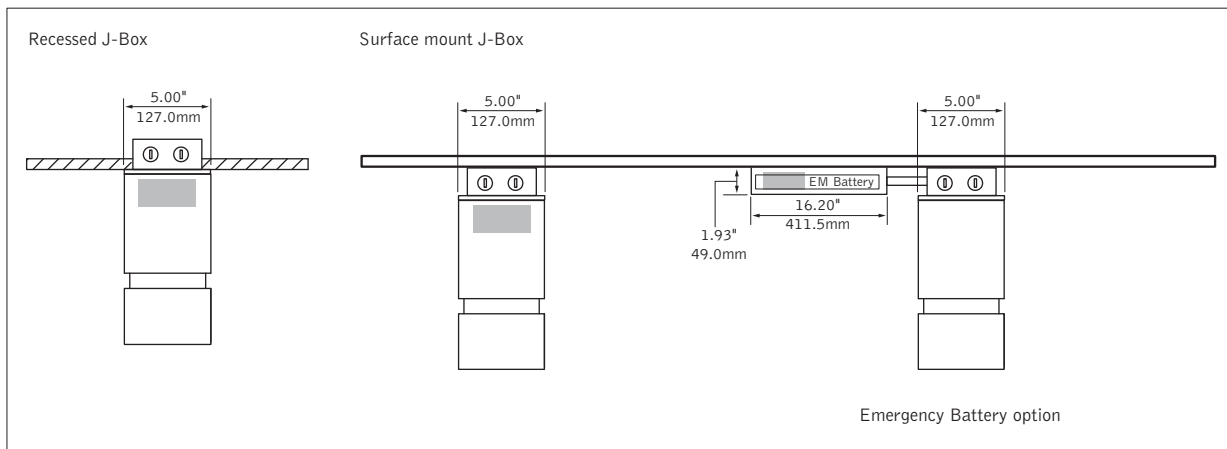
ID+ 4.5" Cylinder

LED SURFACE MOUNT WITH DECORATIVE REVEAL

DIMENSIONAL DATA CONTINUED

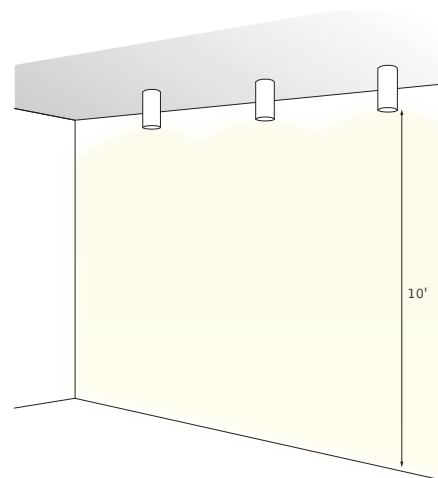
SC - Shallow Canopy, Integral Driver

Indicates Driver Location



NON-SCALLOPING SUPER WIDE FLOOD DESIGN GUIDE - 1500 LUMEN EXAMPLE

Distance from bottom of fixture	Footcandles																	
	Fixtures 3' from Wall			Fixtures 3.5' from Wall				Fixtures 4' from Wall										
	3' OC			3.5' OC		3' OC		3.5' OC		3' OC			3.5' OC					
1'-0"	3"	3	3	3	2	2	2	2	2	2	2	2	2	2	2	2		
	6"	4	4	4	3	3	3	3	3	3	3	3	3	2	2	2		
	9"	5	5	5	4	4	4	4	4	4	3	3	3	3	3	3		
	12"	5	5	5	4	4	4	4	4	4	3	3	3	3	3	3		
2'	11	11	11	10	9	9	8	8	8	7	7	7	7	7	7	6	6	6
3'	17	17	17	15	15	15	13	13	13	11	12	12	11	11	11	9	9	9
4'	20	20	20	18	17	17	17	17	17	15	15	15	14	14	14	12	12	12
5'	19	19	19	17	16	16	18	18	18	15	15	15	16	16	16	14	14	14
6'	17	17	17	14	14	14	16	16	16	14	14	14	16	16	16	13	13	13
7'	14	14	14	12	12	12	15	15	15	12	13	12	14	14	14	12	12	12
8'	12	12	12	11	10	10	13	13	13	11	11	11	13	13	13	11	11	11
9'	10	10	11	9	9	9	11	11	11	9	9	9	11	11	11	10	10	10
10'	9	9	9	8	7	7	9	9	9	8	8	8	10	10	10	8	8	8



ID+ 4.5" Cylinder

LED SURFACE MOUNT WITH DECORATIVE REVEAL

4.5" CYLINDER LUMEN MULTIPLIER TABLE

Decorative Reveal

Trim Type	Lumen Output	Decorative Reveal	Multiplier
Round [RD]	ALL	White Non-Glow Reveal [WHR]	0.94
		Black Non-Glow Reveal [BKR]	0.94
		White Glowing Reveal [WHG]	1.00

Color Temperature & CRI

Trim Type	Optic	Color Temperature	Multiplier
Round [RD]	ALL	2700K, 80+ CRI [27K]	0.93
		2700K, 90+ CRI [927K]	0.76
		3000K, 80+ CRI [30K]	1.00
		3000K, 90+ CRI [930K]	0.81
		3500K, 80+ CRI [35K]	1.00
		3500K, 90+ CRI [935K]	0.86
		4000K, 80+ CRI [40K]	1.00
		4000K, 90+ CRI [940K]	0.86

Optic

Trim Type	Optic	Distribution	Multiplier
Round [RD]	Tall Cone, 50° cut-off [DNT]	Spot (18°) [SPL]	1.00
		Narrow Flood (26°) [NFL]	
		Flood (33°) [FL]	
		Wide Flood (58°) [WFL]	
	Tall Cone, 50° cut-off with Solite Lens [DNLS]	Narrow Flood (26°) [NFL]	0.90
	Super Short Cone, 80° cut-off [DSS]	Super Wide Flood (94°) [SWFL]	1.00

Distribution

Trim Type	Optic	Distribtuon	Multiplier
Round [RD]	Tall Cone, 50° cut-off [DNT]	Spot (18°) [SPL]	1.00
		Narrow Flood (26°) [NFL]	0.98
		Flood (33°) [FL]	0.96
		Wide Flood (58°) [WFL]	0.96
		Tall Cone, 50° cut-off with Solite Lens [DNLS]	Narrow Flood (26°) [NFL]
	Super Short Cone, 80° cut-off [DSS]	Super Wide Flood (94°) [SWFL]	0.85

Multiplier tables are provided to aid with estimation of lumen levels across options. Apply multipliers against ordered Lumen Output to estimate Delivered Lumens. Refer to IES files for most accurate photometric information.

How To Use Lumen Multipliers

Formula: (Lumen Output Value) x (Decorative Reveal) x (Color Temperature & CRI) x (Optic) x (Distribution)

Example: FLCY4-RD-WHR-1000L-935K-DNT-FL

(1000) x (0.94) x (0.86) x (1.00) x (0.96) ≈ 776 lm (estimated delivered lumens)