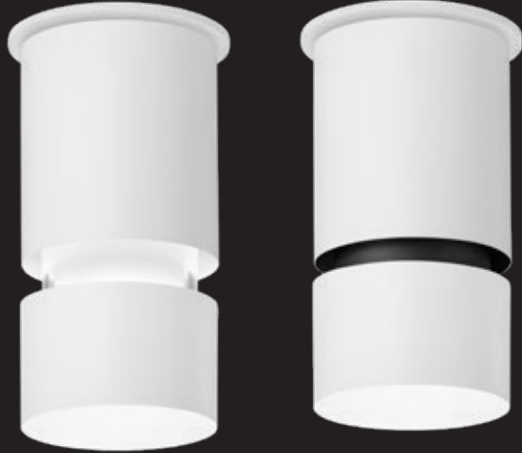


# ID+ 3.5" Cylinder

LED SURFACE MOUNT WITH DECORATIVE REVEAL



FOCAL POINT®



Black with White Glow



Palladium Silver with White Glow



Black with Black Non-Glow



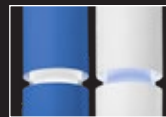
Palladium Silver with Black Non-Glow



Shallow Canopy



Power Canopy



Custom Color Combination

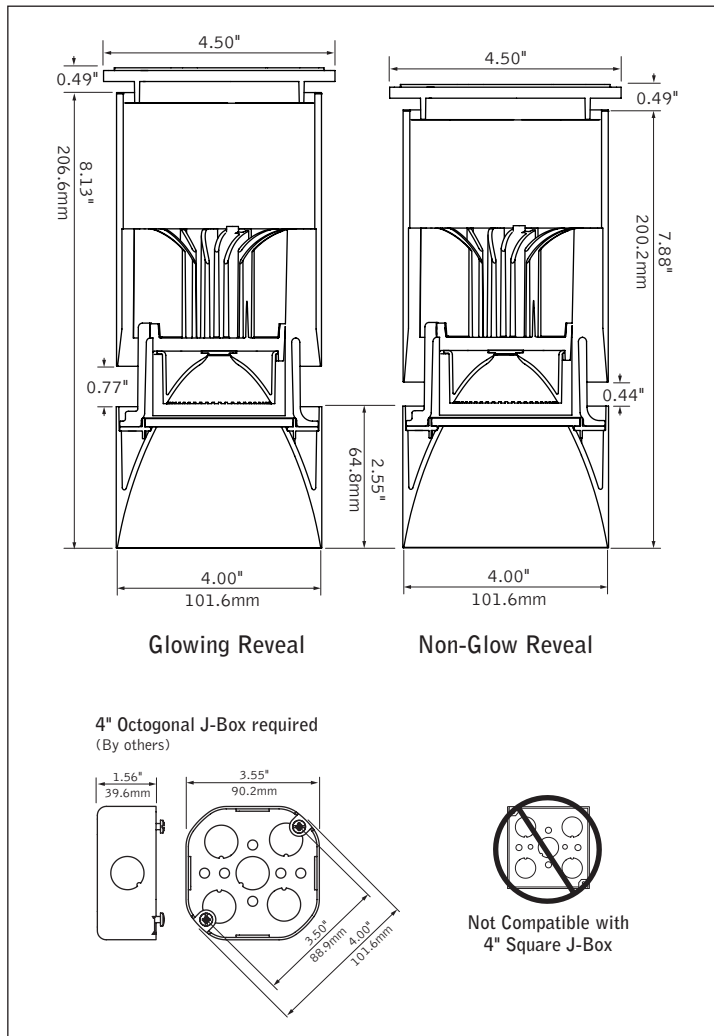


Pendant Mount Companions



Trimless Downlight Companion

## DIMENSIONAL DATA (continued on page 3)



## FEATURES

3.5" surface mount cylinder with decorative reveal.

Decorative reveal available with or without glow.

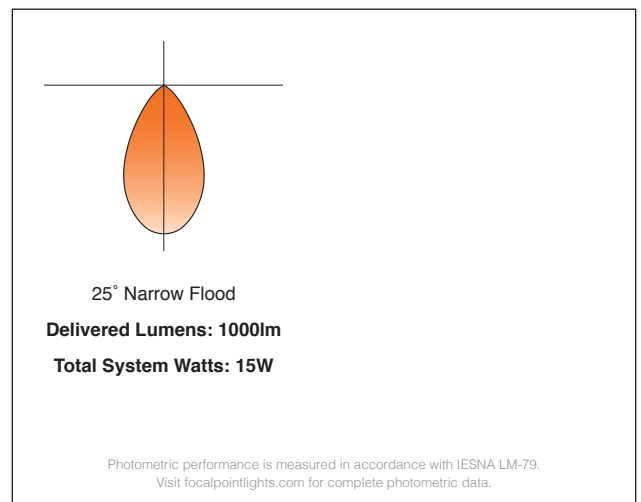
Custom color options for finish and glowing reveal.

One-piece die-cast reflector with a knife edge for a modern aesthetic.

50° cut-off for brightness control and visual comfort.

ChromaSure: Color consistency resulting in a 2-step MacAdam ellipse across the entire ID+ product line.

## PERFORMANCE



fixture:

project:

### SPECIFICATIONS

#### LED System

Proprietary LED module with single light emitting source. May be specified in 2700K, 3000K, 3500K or 4000K in CRI>80 or CRI>90. Color accuracy within 2 SDCM. Aluminum heat sink provides appropriate thermal management.

#### Construction

Upper housing is extruded aluminum. Lower reflector is die-cast aluminum. Twist & lock construction leaves no visible fasteners within the knife edge trim. Fixture will not exceed 5 lb.

#### Optics

Beam spreads achieved with optics that may be easily changed in field.

| Cut-off degree | Distribution Beam Spread   Spacing Criteria |            |            |            |            |
|----------------|---|------------|------------|------------|------------|
|                | NFL   | FL1        | FL2        | WFL        | SWFL       |
| 50°            | 25°   0.42                                  | 37°   0.62 | 48°   0.70 | 54°   0.78 | -          |
| 80°            | -   | -          | -          | -          | 79°   1.12 |

#### Electrical

Choice of constant current dimming drivers. Power factor > .9 typical. L11 & LFP with Shallow Canopy, Integral Driver not Right Light as standard, consult factory.

#### Emergency

Emergency output —7W for 90 minutes. Maximum mounting height: 16.98 ft J-box cannot be recessed above the ceiling with Emergency Battery.

#### Labels

UL and cUL listed. Suitable for Dry or Damp Locations, indoor use only.

#### Finish

Polyester powder coat applied over a multi-stage pre-treatment.

#### Lumen Maintenance

|                              |                                    |
|------------------------------|------------------------------------|
| Reported: L70 > 54,000 hours | Calculated: L70 at > 420,000 hours |
| L90 > 54,000 hours           | L90 at > 109,000 hours             |

(Derived from EPA TM-21 calculator. Based on typical conditions, consult factory for additional data.)

#### Reliability

At Focal Point, our products are designed to stand the test of time. Each luminaire is engineered using superior components, manufactured with the utmost care and rigorously tested. Contact us for reliability data.

#### Warranty

LED system rated for operation in ambient environments up to 25°C. 5 year limited warranty.

### PERFORMANCE CHART

| Delivered Lumens | System Watts | LPW |
|------------------|--------------|-----|
| 700              | 10           | 81  |
| 1000             | 15           | 84  |
| 1500             | 19           | 84  |

Glowing Reveal, 3500K, 80CRI, Clear Diffuse, Narrow Flood Distribution. Lumen Multipliers: Non-Glow Reveal = 0.94 Lumen output may vary +/- 5%. Actual wattage may vary +/- 5%.

### ORDERING

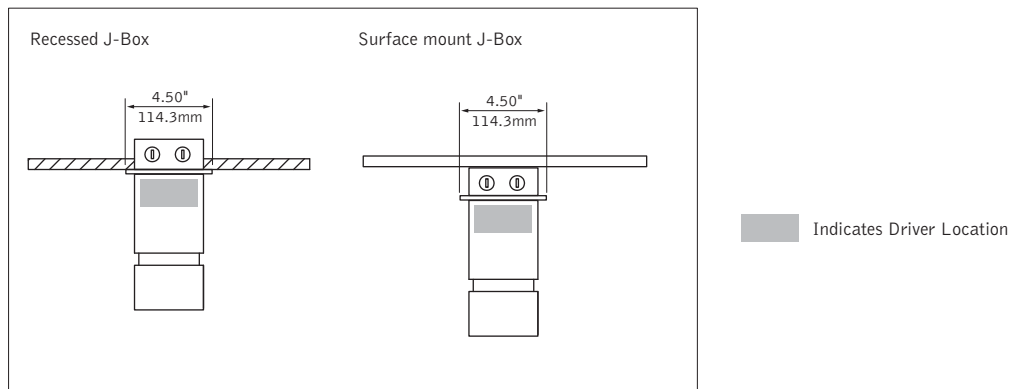
|   |  |              |
|---|--|--------------|
| <b>Luminaire Series</b><br>ID+ 3.5" Round Cylinder  | FLCY3  | <b>FLCY3</b> |
| <b>Trim Type</b><br>Round   | RD   | <b>RD</b>    |
| <b>Decorative Reveal</b><br>White Non-Glow Reveal<br>Black Non-Glow Reveal<br>White Glowing Reveal<br>Custom Color Glowing Reveal<br><small>(Specify your RAL color value.<br/>Extended lead time consult factory.)</small>   | WHR<br>BKR<br>WHG<br>RAL_ _ _ _                          |              |
| <b>Lumen Output</b><br>700 Lumens<br>1000 Lumens<br>1500 Lumens   | 700L<br>1000L<br>1500L                                   |              |
| <b>Color Temperature</b><br>2700K, 80 CRI<br>3000K, 80 CRI<br>3500K, 80 CRI<br>4000K, 80 CRI<br>2700K, 90 CRI<br>3000K, 90 CRI<br>3500K, 90 CRI<br>4000K, 90 CRI  | 27K<br>30K<br>35K<br>40K<br>927K<br>930K<br>935K<br>940K |              |
| <b>Circuit</b><br>Single Circuit  | 1C   | <b>1C</b>    |
| <b>Voltage</b><br>120/277 UNV<br>120 Volt<br>277 Volt   | UNV<br>120<br>277  |              |
| <b>Canopy Configuration</b><br>Shallow Canopy, Integral Driver<br><small>(L11 &amp; LFP only)</small><br>Power Canopy   | SC<br>PC   |              |
| <b>Control System &amp; Dimming Level</b><br>0-10V - 0% Dimming<br>0-10V - 1% Dimming<br>Forward Phase - 1% Dimming<br><small>(Shallow Canopy, Integral Driver, 120V only)</small><br>Lutron Hi-Lume EcoSystem (LDE1) -<br>1% Dimming<br>Lutron Hi-Lume - Forward Phase -<br>1% Dimming <small>(120V only)</small><br>Lutron 5-Series EcoSystem (LDE5) -<br>5% Dimming <small>(Not available with 700L)</small><br>DALI - 0% Dimming<br>DALI - 1% Dimming | LZ1<br>L11<br>LFP<br>LH1<br>LTE<br>LU5<br>DZ1<br>D11     |              |
| <b>Mounting</b><br>Surface Mount  | SM   | <b>SM</b>    |
| <b>Optic</b><br>50° Cut-off Cone<br><small>(Not available with SWFL distribution)</small><br>50° Cut-off Cone with Solite Lens<br><small>(NFL distribution only)</small><br>80° Cut-off Cone<br><small>(SWFL distribution only)</small>   | DNT<br>DNTS<br>DSS                                       |              |
| <b>Distribution</b><br>Narrow Flood<br>Flood 1<br>Flood 2<br>Wide Flood<br>Super Wide Flood   | NFL<br>FL1<br>FL2<br>WFL<br>SWFL                         |              |
| <b>Factory Options</b><br>Emergency Battery<br><small>(Power Canopy only. J-box cannot be recessed above<br/>the ceiling. Remote test switch.)</small>  | EMR  |              |
| <b>Reflector Color</b><br>Clear Diffuse   | CD   | <b>CD</b>    |
| <b>Luminaire Finish</b><br><small>(Cylinder and canopy finish match)</small><br>Black<br>White<br>Palladium Silver<br>Custom Color<br><small>(Specify your RAL color value.<br/>Extended lead time consult factory.)</small>  | BK<br>WH<br>PS<br>RAL_ _ _ _                             |              |

# ID+ 3.5" Cylinder

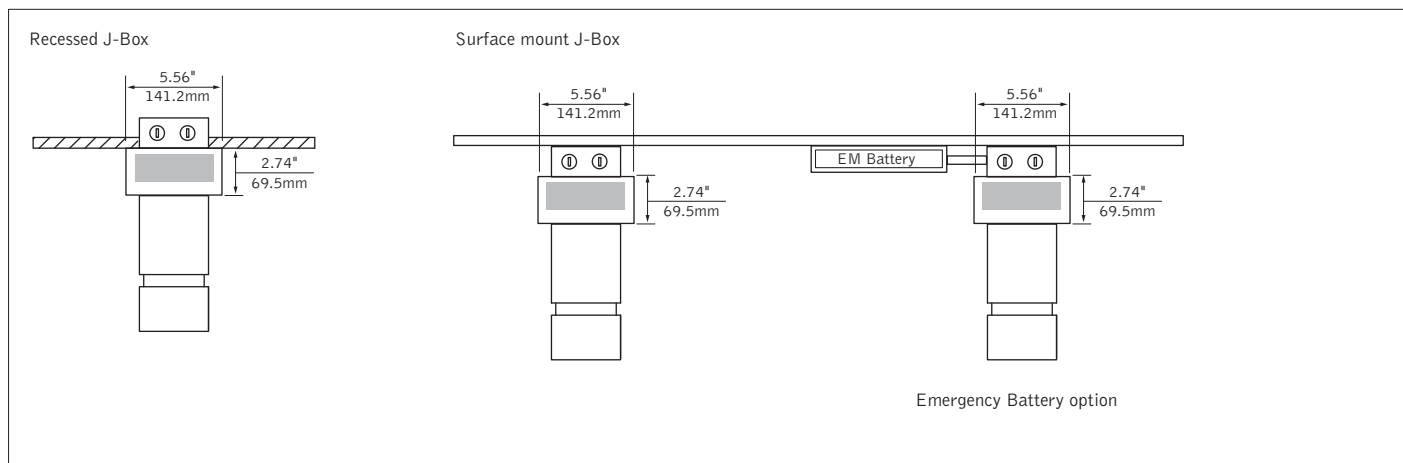
LED SURFACE MOUNT WITH DECORATIVE REVEAL

## DIMENSIONAL DATA CONTINUED

### SC - Shallow Canopy, Integral Driver



### PC - Power Canopy



# ID+ 3.5" Cylinder

LED SURFACE MOUNT WITH DECORATIVE REVEAL

## LUMEN PERFORMANCE MULTIPLIER CHART

| Option            | Description                       | Ordering Code | Multiplier |
|-------------------|-----------------------------------|---------------|------------|
| Color Temperature | 2700K, 80+ CRI                    | 27K           | 0.93       |
|                   | 2700K, 90+ CRI                    | 927K          | 0.76       |
|                   | 3000K, 80+ CRI                    | 30K           | 1.00       |
|                   | 3000K, 90+ CRI                    | 930K          | 0.81       |
|                   | 3500K, 80+ CRI                    | 35K           | 1.00       |
|                   | 3500K, 90+ CRI                    | 935K          | 0.86       |
|                   | 4000K, 80+ CRI                    | 40K           | 1.00       |
|                   | 4000K, 90+ CRI                    | 940K          | 0.86       |
| Distribution      | Narrow Flood (25°)                | NFL           | 1.00       |
|                   | Flood 1 (37°)                     | FL1           | 0.96       |
|                   | Flood 2 (48°)                     | FL2           | 0.88       |
|                   | Wide Flood (54°)                  | WFL           | 0.85       |
|                   | Super Wide Flood (79°)            | SWFL          | 0.56       |
| Decorative Reveal | White Non-Glow Reveal             | WHR           | 0.94       |
|                   | Black Non-Glow Reveal             | BKR           | 0.94       |
|                   | White Glowing Reveal              | WHG           | 1.00       |
| Optics            | 50° Cut-Off Cone                  | DNT           | 1.00       |
|                   | 50° Cut-Off Cone with Solite Lens | DNTS          | 0.90       |
|                   | 80° Cut-Off Cone                  | DSS           | 1.00       |