

ID+ 3.5" Cylinder

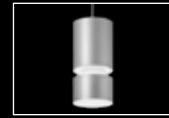
LED PENDANT WITH DECORATIVE REVEAL



FOCAL POINT®



Black with White Glow



Palladium Silver with White Glow



Black with Black Non-Glow



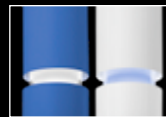
Palladium Silver with Black Non-Glow



Shallow Canopy



Power Canopy



Custom Color Combination

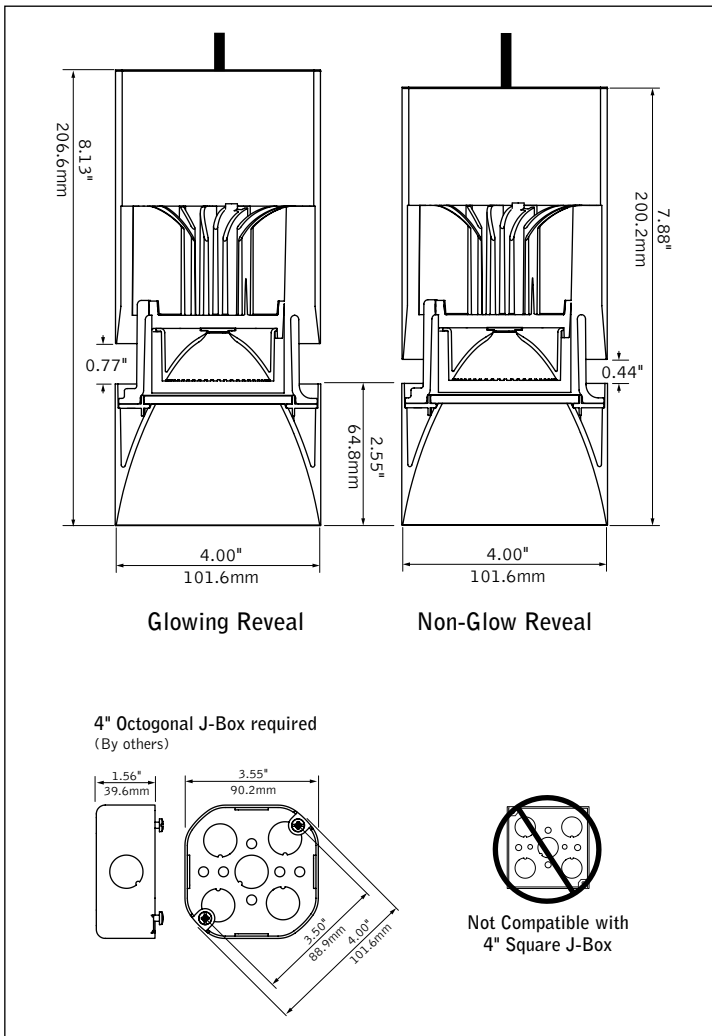


Surface Mount Companions



Trimless Downlight Companion

DIMENSIONAL DATA (continued on page 3)



FEATURES

3.5" cylinder pendant with decorative reveal.

Decorative reveal available with or without glow.

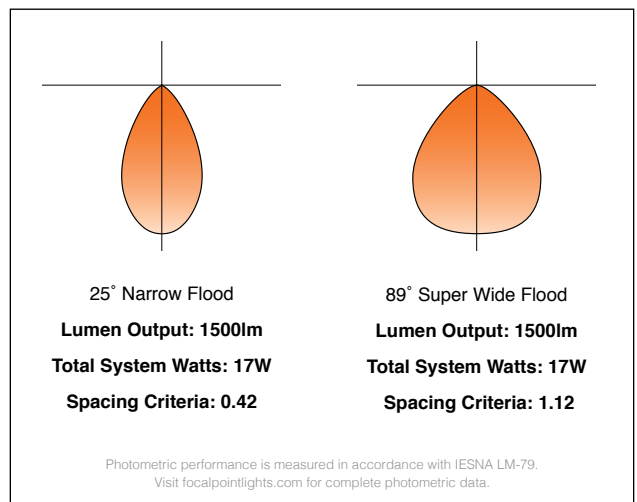
Custom color options for finish and glowing reveal.

One-piece die-cast reflector with a knife edge for a modern aesthetic.

50° cut-off for brightness control and visual comfort.

ChromaSure: Color consistency resulting in a 2-step MacAdam ellipse across the entire ID+ product line.

PERFORMANCE



fixture:

project:

SPECIFICATIONS

LED System

Proprietary LED module with single light emitting source. May be specified in 2700K, 3000K, 3500K or 4000K in CRI>80 or CRI>90. Color accuracy within 2 SDCM. Aluminum heat sink provides appropriate thermal management.

Construction

Upper housing is extruded aluminum. Lower reflector is die-cast aluminum. Twist & lock construction leaves no visible fasteners within the knife edge trim. Fixture will not exceed 5 lb.

Optics

Beam spreads achieved with optics that may be easily changed in field.

Cut-off degree	Distribution Beam Spread Spacing Criteria				
	NFL	FL1	FL2	WFL	SWFL
50°	25° 0.42	38° 0.62	46° 0.70	52° 0.78	-
80°	-	-	-	-	89° 1.12

Electrical

Choice of constant current dimming drivers. Power factor > .9 typical. L11 & LFP with Shallow Canopy, Integral Driver not Right Light as standard, consult factory.

Emergency

Emergency output —7W for 90 minutes. Maximum mounting height: 16.98 ft. J-box cannot be recessed above the ceiling with Emergency Battery.

Labels

UL and cUL listed. Suitable for Dry or Damp Locations, indoor use only.

Finish

Polyester powder coat applied over a multi-stage pre-treatment.

Lumen Maintenance

Reported: L70 > 54,000 hours
L90 > 54,000 hours
Calculated: L70 at > 420,000 hours
L90 at > 109,000 hours
(Derived from EPA TM-21 calculator. Based on typical conditions, consult factory for additional data.)

Reliability

At Focal Point, our products are designed to stand the test of time. Each luminaire is engineered using superior components, manufactured with the utmost care and rigorously tested. Contact us for reliability data.

Warranty

LED system rated for operation in ambient environments up to 25°C. 5 year limited warranty.

PERFORMANCE TABLE

Lumen Output	Delivered Lumens	System Watts	LPW
700L	768	8	96
1000L	1264	15	84
1500L	1577	17	93

Glowing Reveal, 3500K, 80CRI, Clear Diffuse, Narrow Flood Distribution. Lumen output may vary +/- 5%. Actual wattage may vary +/- 5%.

ORDERING

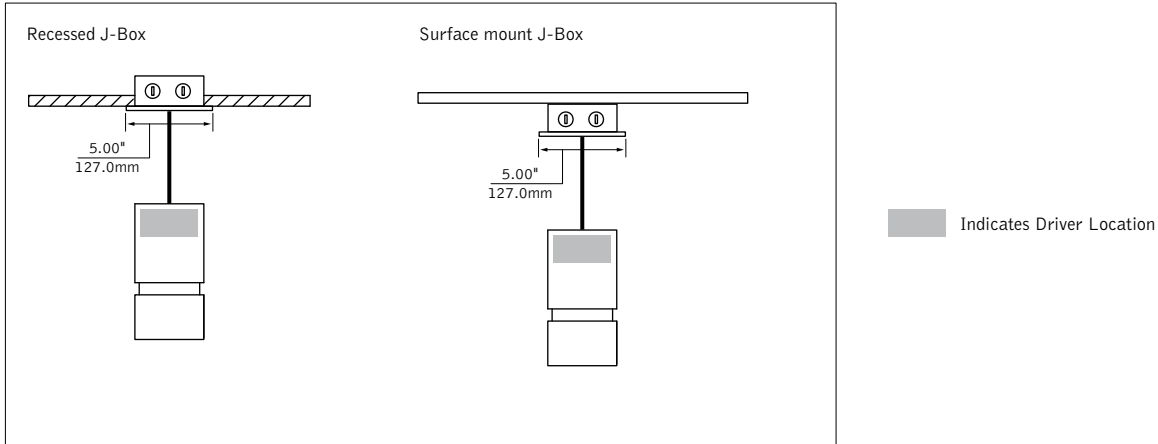
Luminaire Series ID+ 3.5" Round Cylinder	FLCY3	FLCY3
Trim Type Round	RD	RD
Decorative Reveal White Non-Glow Reveal Black Non-Glow Reveal White Glowing Reveal Custom Color Glowing Reveal <small>(Specify your RAL color value. Extended lead time consult factory.)</small>	WHR BKR WHG RAL_ _ _ _	
Lumen Output 700 Lumens 1000 Lumens 1500 Lumens	700L 1000L 1500L	
Color Temperature 2700K, 80+ CRI or 90+ CRI 3000K, 80+ CRI or 90+ CRI 3500K, 80+ CRI or 90+ CRI 4000K, 80+ CRI or 90+ CRI	27K or 927K 30K or 930K 35K or 935K 40K or 940K	
Circuit Single Circuit	1C	1C
Voltage 120/277 UNV 120 Volt 277 Volt	UNV 120 277	
Canopy Configuration Shallow Canopy, Integral Driver <small>(L11 & LFP only)</small> Power Canopy	SC PC	
Control System & Dimming Level 0-10V - 0% Dimming 0-10V - 1% Dimming Forward Phase - 1% Dimming <small>(Shallow Canopy, Integral Driver, 120V only)</small> Lutron Hi-Lume EcoSystem (LDE1) - 1% Dimming Lutron Hi-Lume - Forward Phase - 1% Dimming <small>(120V only)</small> Lutron 5-Series EcoSystem (LDE5) - 5% Dimming <small>(Not available with 700L)</small> DALI - 0% Dimming DALI - 1% Dimming	LZ1 L11 LFP LH1 LTE LU5 DZ1 D11	
Mounting Cable, Straight Feed <small>(72" cable, cut in field)</small>	C72	C72
Optic 50° Cut-off Cone <small>(Not available with SWFL distribution)</small> 50° Cut-off Cone with Solite Lens <small>(NFL distribution only)</small> 80° Cut-off Cone <small>(SWFL distribution only)</small>	DNT DNTS DSS	
Distribution Narrow Flood Flood 1 Flood 2 Wide Flood Super Wide Flood	NFL FL1 FL2 WFL SWFL	
Factory Options Emergency Battery <small>(Power Canopy only. J-box cannot be recessed above the ceiling. Remote test switch.)</small>	EMR	
Reflector Color Clear Diffuse	CD	CD
Luminaire Finish <small>(Cylinder and canopy finish match)</small> Black with Black cord White with White cord Palladium Silver with Black cord Custom Color with White cord <small>(Specify your RAL color value. Extended lead time consult factory.)</small>	BK WH PS RAL_ _ _ _	

ID+ 3.5" Cylinder

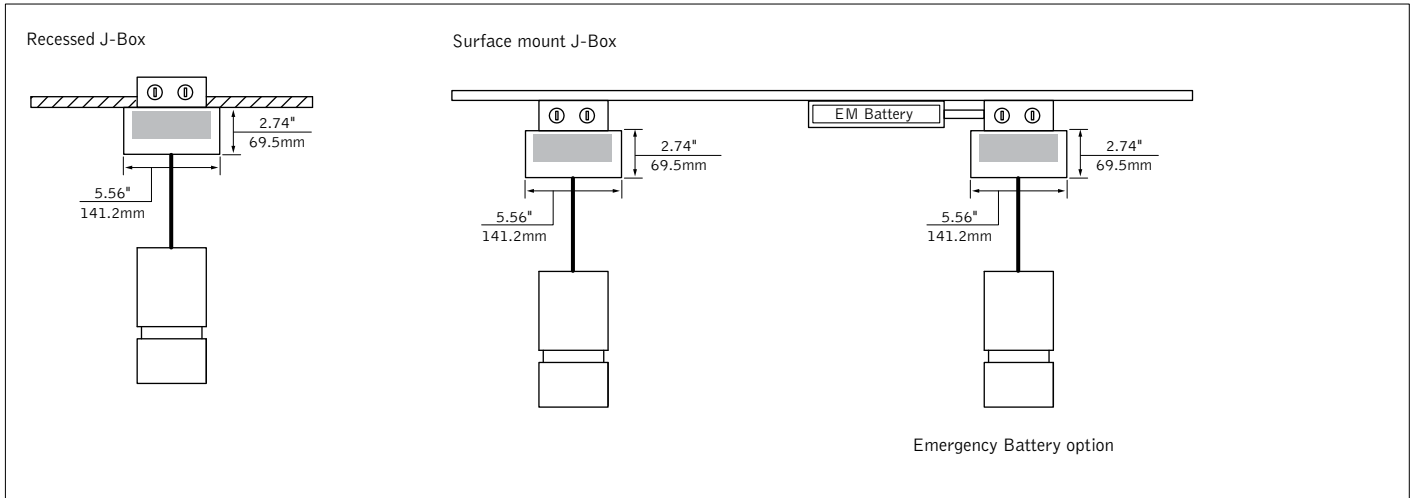
LED PENDANT WITH DECORATIVE REVEAL

DIMENSIONAL DATA CONTINUED

SC - Shallow Canopy, Integral Driver

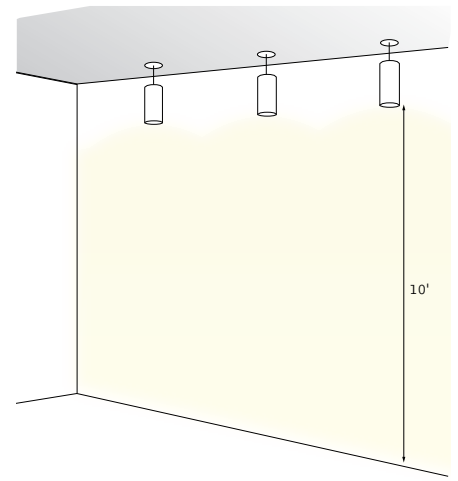


PC - Power Canopy



NON-SCALLOPING SUPER WIDE FLOOD DESIGN GUIDE - 1500 LUMEN EXAMPLE

Distance from bottom of fixture	Footcandles														
	Fixtures 3' from Wall			Fixtures 3.5' from Wall			Fixtures 4' from Wall			Fixtures 4' from Wall					
	3' OC	3.5' OC	3' OC	3.5' OC	3' OC	3.5' OC	3' OC	3.5' OC	3' OC	3.5' OC	3' OC	3.5' OC			
3"	2	2	2	2	2	2	2	2	2	2	2	2	2	2	2
6"	3	3	3	3	3	3	3	3	3	2	2	2	2	2	2
9"	4	4	4	3	3	3	3	3	3	3	3	3	3	3	3
12"	4	4	4	3	3	3	3	3	3	3	2	2	3	3	3
2'	9	9	9	8	8	8	7	7	7	6	6	6	5	5	5
3'	17	17	17	15	15	14	13	13	13	11	11	11	10	10	10
4'	22	22	22	19	18	18	18	18	19	15	15	15	14	14	14
5'	21	21	21	18	18	18	19	19	18	16	16	16	17	17	17
6'	19	19	19	16	16	16	18	18	18	16	16	15	17	17	17
7'	16	16	16	14	14	14	17	17	16	14	14	14	16	16	16
8'	14	14	14	12	12	12	15	15	15	13	12	12	15	15	15
9'	12	12	12	10	10	10	13	13	13	11	11	10	13	13	13
10'	10	10	10	9	9	9	11	11	11	9	9	9	11	11	11



ID+ 3.5" Cylinder

LED PENDANT WITH DECORATIVE REVEAL

3.5" CYLINDER LUMEN MULTIPLIER TABLE

Color Temperature & CRI

Trim Type	Optic	Color Temperature	Multiplier
Round [RD]	ALL	2700K, 80+ CRI [27K]	0.93
		2700K, 90+ CRI [927K]	0.76
		3000K, 80+ CRI [30K]	1.00
		3000K, 90+ CRI [930K]	0.81
		3500K, 80+ CRI [35K]	1.00
		3500K, 90+ CRI [935K]	0.86
		4000K, 80+ CRI [40K]	1.00
4000K, 90+ CRI [940K]	0.86		

Optic

Trim Type	Optic	Distribution	Multiplier
Round [RD]	Tall Cone, 50° cut-off [DNT]	Narrow Flood (25°) [NFL]	1.00
		Flood 1 (38°) [FL1]	
		Flood 2 (46°) [FL2]	
		Wide Flood (52°) [WFL]	
	Tall Cone, 50° cut-off with Solite Lens [DNLS]	Narrow Flood (25°) [NFL]	0.90
	Super Short Cone, 80° cut-off [DSS]	Super Wide Flood (89°) [SWFL]	1.00

Distribution

Trim Type	Optic	Distribtuon	Multiplier	
Round [RD]	Tall Cone, 50° cut-off [DNT]	Narrow Flood (25°) [NFL]	1.00	
		Flood 1 (38°) [FL1]	0.87	
		Flood 2 (46°) [FL2]	0.85	
		Wide Flood (52°) [WFL]	0.81	
		Tall Cone, 50° cut-off with Solite Lens [DNLS]	Narrow Flood (25°) [NFL]	1.00
		Super Short Cone, 80° cut-off [DSS]	Super Wide Flood (89°) [SWFL]	0.84

Multiplier tables are provided to aid with estimation of lumen levels across options. Apply multipliers against ordered Lumen Output to estimate Delivered Lumens. Refer to IES files for most accurate photometric information.

How To Use Lumen Multipliers

Formula: (Lumen Output Value) x (Color Temperature & CRI) x (Optic) x (Distribution)

Example: FLCY3-RD-1000L-935K-DNT-FL1

(1000) x (0.86) x (1.00) x (0.87) ≈ 748 lm (estimated delivered lumens)