

# ID+ 3.5" Trimless

LED ADJUSTABLE



clear diffuse



warm diffuse



black painted



white painted

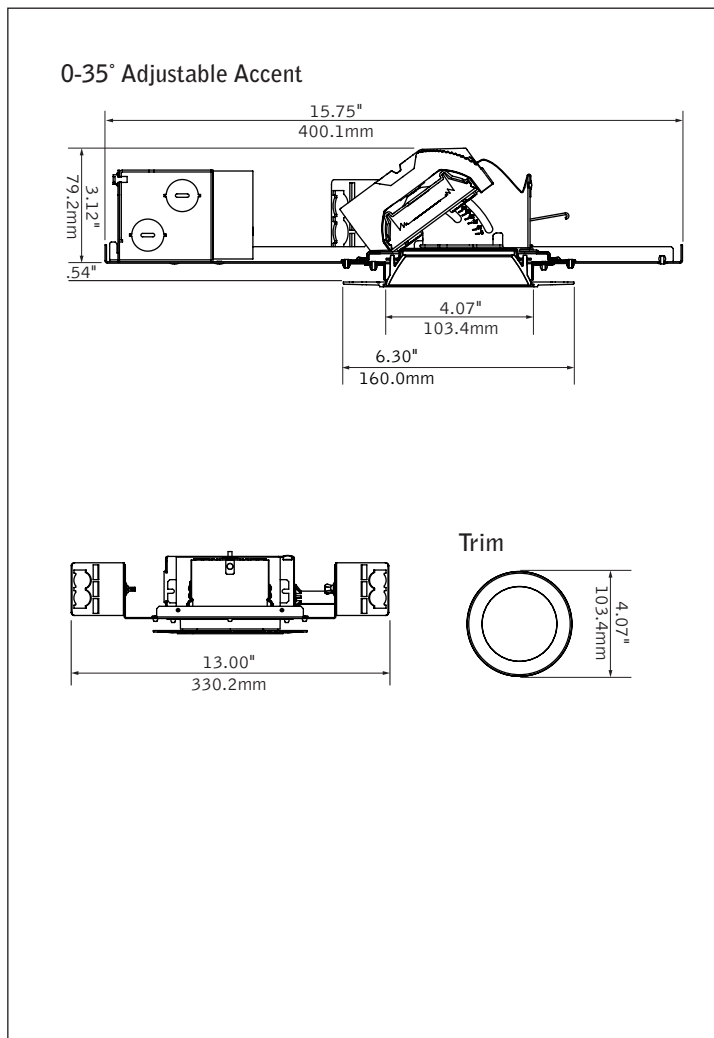


spot -open optic



overlap companion

## DIMENSIONAL DATA



## FEATURES

Trimless reflectors designed for mud-in applications.

Small aperture LED adjustable accent with shallow housing for restricted plenum ceilings.

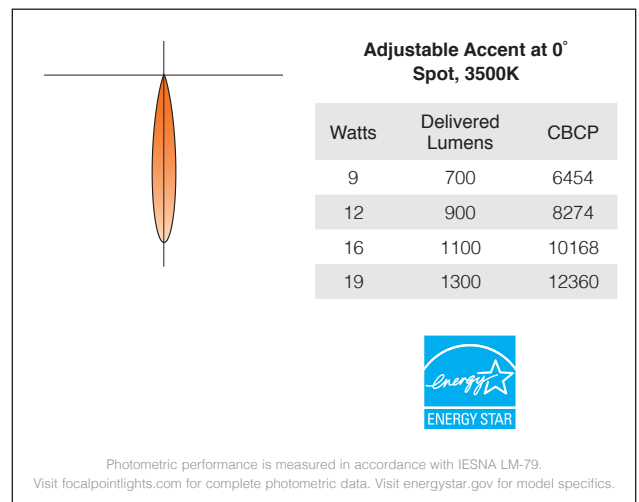
Tension locking mechanism for tool-less adjustability and precise aiming with 35° vertical tilt and 362° rotation.

Field changeable beam spread optics to accommodate post-installation design changes.

Selection of die-cast trims with Solite lens to complement any design.

Selection of dimming drivers available.

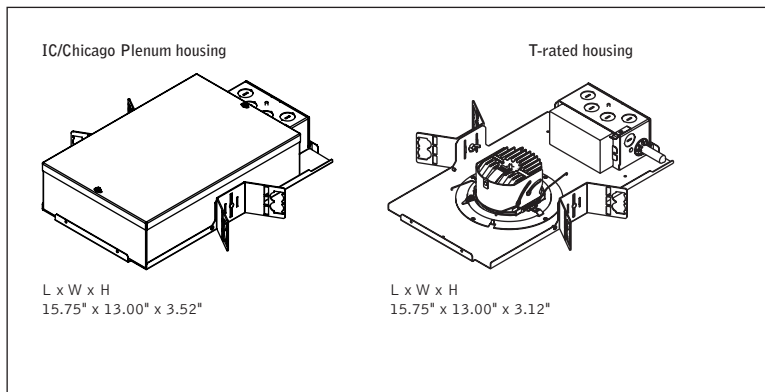
## PERFORMANCE



fixture:

project:

## HOUSING DETAILS



## HOUSING SPECIFICATIONS

### LED System

Proprietary LED module with single light emitting source. May be specified in 2700K, 3000K, 3500K or 4000K in CRI>80 or CRI>90. Color accuracy within 2 SDCM. Aluminum heat sink provides appropriate thermal management.

### Construction

Thermally protected housing for new construction applications. Insulation to be kept 3\"/>

### Adjustment

35° vertical tilt and 362° rotation of light module.

### Electrical

Choice of constant current dimming drivers. Power factor > .9 typical.

### Labels

UL and cUL Listed. Suitable for Dry or Damp Locations, indoor use only. AA trim optic with Solite lens, wet location standard.

### Lumen Maintenance

Reported: L70 at >55,000 hours                      Calculated: L70 at 420,000  
 L90 at >55,000 hours                                  L90 at 105,000  
 Derived from EPA TM-21 calculator. Based on typical conditions, consult factory for additional data.

### Reliability

At Focal Point, our products are designed to stand the test of time. Each luminaire is engineered using superior components, manufactured with the utmost care and rigorously tested. Contact us for reliability data.

### Warranty

LED System rated for operation in ambient environments up to 25°C. 5-year limited warranty.

## TRIM SPECIFICATIONS

### Aesthetics

Reflector is Die-cast aluminum. Torsion springs pull trim tight to the ceiling with no visible fasteners within the trim. All trimless luminaires come with a high precision, injection molded ceiling finish ring.

### Optics

Beam spreads achieved with optics that may be easily changed in field.

## 15° SPOT PERFORMANCE CHART

Delivered Lumens	System Watts	Lumens per Watt (LPW)	Center Beam Candlepower (CBCP)
700	9	77	6454
900	12	77	8274
1100	16	69	10168
1300	19	71	12360

Tested with 3500K, 80CRI, Clear Diffuse Reflector. Lumen multipliers: 90CRI = 0.75, WD = 0.9963, BK = 0.9726, WH = 1.0126. Lumen output may vary +/- 5%. Actual wattage may vary +/- 5%.

Focal Point LLC reserves the right to change specifications for product improvement without notification.

## HOUSING ORDERING

Housing Series		FLCS3
ID+ 3.5" Round Housing	FLCS3	
Trim Type		RT
Round Trimless	RT	
Lumen Output		
700 Lumens	700L	
900 Lumens	900L	
1100 Lumens	1100L	
1300 Lumens	1300L	
Color Temperature		
2700K, 80+ CRI or 90+ CRI	27K or 927K	
3000K, 80+ CRI or 90+ CRI	30K or 930K	
3500K, 80+ CRI or 90+ CRI	35K or 935K	
4000K, 80+ CRI or 90+ CRI	40K or 940K	
Distribution		
15° Spot <small>(AAS trim optic only)</small>	SP	
18° Spot with Solite Lens	SPA	
25° Narrow Flood	NFL	
40° Flood	FL	
30° x 15° Linear Spread Lens	LS	
Voltage		
120V	120	
277V	277	
Control System & Dimming Level		
0-10V - 1% Dimming	L11	
0-10V - 10% Dimming	LD1	
0-10V - 0% Dimming	LZ1	
Forward Phase <small>(120V only, 700L &amp; 1100L only.)</small>	LFP	
DALI - 1% Dimming	D11	
DALI - 0% Dimming	DZ1	
Lutron Hi-Lume EcoSystem (LDE1) - 1% Dimming	LH1	
Lutron 5-Series EcoSystem (LDE5) - 5% Dimming <small>(1100L only, T-rated housing only.)</small>	LU5	
Lutron Hi-Lume - Forward Phase - 1% Dimming <small>(120V only)</small>	LTE	
Housing Type		
IC Rated / Airtight <small>(1300L not available. 1100 not available with Lutron.)</small>	IC	
Thermally Protected, Non-IC	T	
Factory Options		
Bar Hangers	BH	
Chicago Plenum / National Plenum <small>(Inverter required to achieve Emergency lighting)</small>	CP	
TRIM ORDERING		LCS3
Aperture		RT
3.5" Round Aperture	LCS3	
Trim Type		
Round Trimless	RT	
Optic		
Adjustable Accent <small>(Solite lens standard)</small>	AA	
Adjustable Accent - 15° Spot <small>(Open optic, no wet location. SP distribution only)</small>	AAS	
Reflector Color		
Clear Diffuse	CD	
Warm Diffuse	WD	
Black	BK	
White	WH	
ACCESSORIES		
<small>(One kit included per order as indicated in Distribution above. Order additional kits to change distribution in the field as needed.)</small>		
Spot Kit	FLCS3T-SPAK	
Narrow Flood Kit	FLCS3T-NFLK	
Flood Kit	FLCS3T-FLK	
Linear Spread Kit	FLCS3T-LSK	
Wood Ceiling Installation Kit	LC3-WOOD-KIT	
<small>(One kit recommended per 10 downlights)</small>		

For more information visit focalpointlights.com/reference or consult factory.