

# ID+ 6"

LED WALL WASH



clear diffuse



warm diffuse



white painted flange

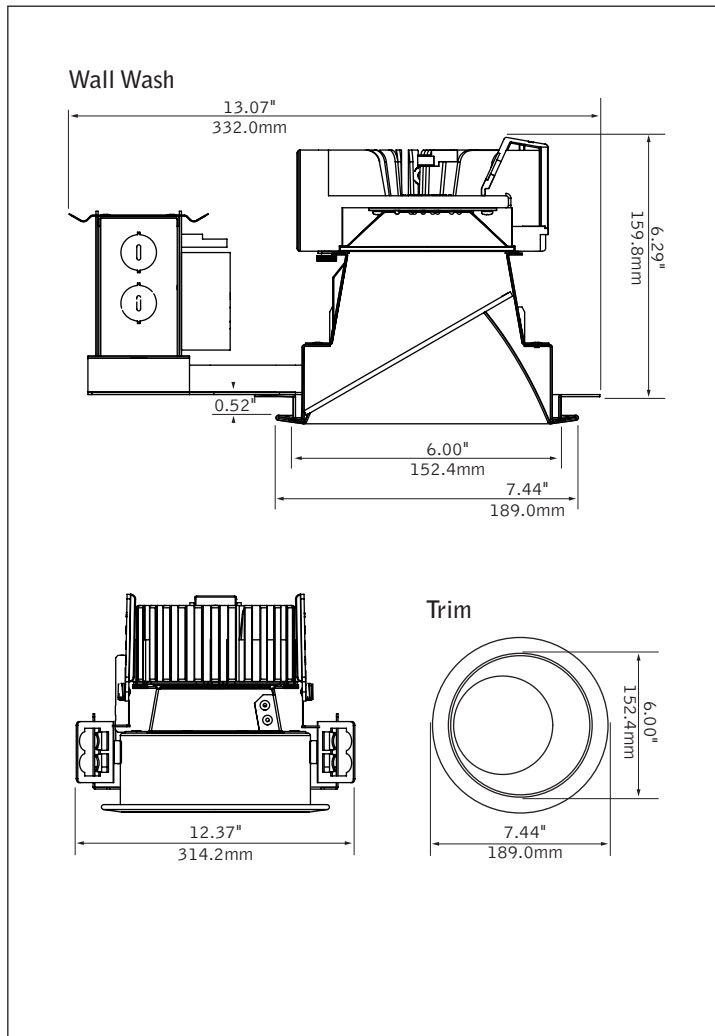


black reflector



white reflector

## DIMENSIONAL DATA



## FEATURES

ChromaSure: Color consistency resulting in a 2-step MacAdam ellipse across the entire ID+ product line.

Field adjustability of ceiling thickness from 0.5" - 2.5".

50° cutoff to light source and its image.

Selection of dimming drivers available.

Right Light: Standard delivered lumen outputs 500, 1000 and 1500.

## PERFORMANCE

**PRODUCT OVERVIEW**

- Lumen Output: 500-1500lm
- Wattage: 10-32W
- LPW: 46-53
- Spacing Criteria: 1.03
- SDCM: 2
- Lumen Maintenance: L70 @ 63,000hrs

Clear Diffuse Reflector  
3500k, 1500 Lumens

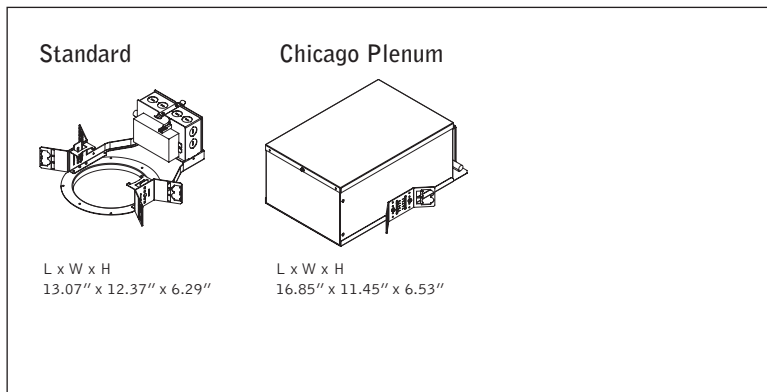
**Delivered Lumens: 1500lm**  
**Total System Watts: 32W**

Photometric performance is measured in accordance with IESNA LM-79. Visit focalpointlights.com for complete photometric data.

fixture:

project:

## HOUSING DETAILS



## HOUSING SPECIFICATIONS

### Construction

Thermally protected housing for new construction applications. Insulation to be kept 3" away from housing. Butterfly brackets allow mounting to 1/2" emt. Order bar hangers as an accessory. Die-cast aluminum heat sink designed for maximum thermal dissipation. Die-formed housing and integral junction box with (7) 1/2" pry outs. UL & cUL listed for (6) #14 AWG (3 in, 3 out) 90°C conductors and feed through-branch wiring. Accommodates ceiling thicknesses up to 0.5" standard, field adjustable up to 2.5" thickness. For thicker ceiling consult factory. Fixture will not exceed 5 lb.

### Electrical

Choice of constant current dimming drivers. Power factor > .9 typical.

### Labels

UL and cUL Listed. Suitable for Dry or Damp Locations, indoor use only. Specify wet listed (WL) for recessed ceiling applications in indoor and outdoor locations. Lutron Drivers not recommended for outdoor environments below 0°C.

### Lumen Maintenance

Reported: L70 at >63,000 hours. Derived from EPA TM-21 calculator

### Reliability

At Focal Point, our products are designed to stand the test of time. Each luminaire is engineered using superior components, manufactured with the utmost care and rigorously tested. Contact us for reliability data.

### Warranty

LED System rated for operation in ambient environments up to 25°C. 5-year limited warranty.

## TRIM & LED SPECIFICATIONS

### LED System

Proprietary array incorporates premium LEDs on a robust platform. May be specified in 2700K, 3000K, 3500K or 4000K, 80+ CRI or 90+ CRI. Color accuracy within 2 SDCM. Aluminum heat sink provides appropriate thermal management.

### Aesthetics

Parabolic reflector cone ensures glare free optics. Reflector is .050 spun aluminum. Torsion springs pull trim tight to the ceiling with no visible fasteners within the trim. Trims are self-flanged. Non-painted trim matches reflector finish. White painted flange may also be specified.

### Optics

50-degree cut-off to light source and its image. Wall wash features acrylic diffuser to provide smooth illumination down the wall.

## PERFORMANCE CHART

Delivered Lumens	System Watts	LPW
500	10	50
1000	19	53
1500	32	46

Based on 3000/3500K, 80 CRI, Clear Diffuse reflector cone. 90 CRI lumen multiplier: 2700K = 0.71, 3000/3500K = 0.83, 4000K = 0.89. Black multiplier: 0.56. White multiplier: 1.13. Lumen output may vary +/- 5%. Actual wattage may vary +/- 5%.

## HOUSING ORDERING

Housing Series	FLC6W
ID+ 6" Round Wall Wash	FLC6W
<b>Trim Type</b>	
Round Flush	RF
Round Overlap	RO
<b>Lumen Output</b>	
500 Lumens	500L
1000 Lumens	1000L
1500 Lumens	1500L
<b>Voltage</b>	
120V	120
277V*	277
<b>Driver</b>	
0-10V - 1% Dimming	L11
0-10V - 10% Dimming	LD1
Lutron Hi-Lume EcoSystem (LDE1) - 1% Dimming	LH1
<small>(Not available with 500L)</small>	
Lutron 5-Series EcoSystem (LDE5) - 5% Dimming	LU5
<small>(Available with 1500L only)</small>	
DALI - 1% Dimming	D11
<small>(Not available with 500L)</small>	
DMX - 3-Channel, 0% Dimming	MZ3
<b>Housing Type</b>	<b>T</b>
Thermally Protected, Non-IC	T
<b>Factory Options</b>	
Bar Hangers	BH
Chicago Plenum / National Plenum	CP
<b>TRIM &amp; LED MODULE</b>	
<b>Aperture</b>	<b>LC6</b>
6" Round Reflector	LC6
<b>Trim Type</b>	<b>RD</b>
Round	RD
<b>Lumen Output</b>	
<small>(Trim &amp; Housing output must match)</small>	
500 Lumens	500L
1000 Lumens	1000L
1500 Lumens	1500L
<b>Color Temperature</b>	
2700K, 80+ CRI or 90+ CRI	27K or 927K
3000K, 80+ CRI or 90+ CRI	30K or 930K
3500K, 80+ CRI or 90+ CRI	35K or 935K
4000K, 80+ CRI or 90+ CRI	40K or 940K
<b>Optic</b>	<b>WW</b>
Wall Wash	WW
<b>Color</b>	
Clear Diffuse	CD
Warm Diffuse	WD
Black	BK
<small>(Black Painted flange only)</small>	
White	WH
<small>(White Painted flange only)</small>	
<b>Flange Finish</b>	
Non-Painted	NP
<small>(Clear and warm diffuse only)</small>	
Black Painted	BP
White Painted	WP
<b>Factory Options</b>	
Wet Listed	WL
<small>(Not available with 90CRI)</small>	

A complete unit consists of two line items, housing and trim  
Example: FLC6W-RC-1500L-120-LD1-T | LC6-RD-1500L-35K-WW-CD-NP