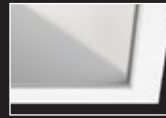


ID+ 6" x 6"

LED WALL WASH



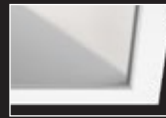
white flange



black flange



titanium silver flange

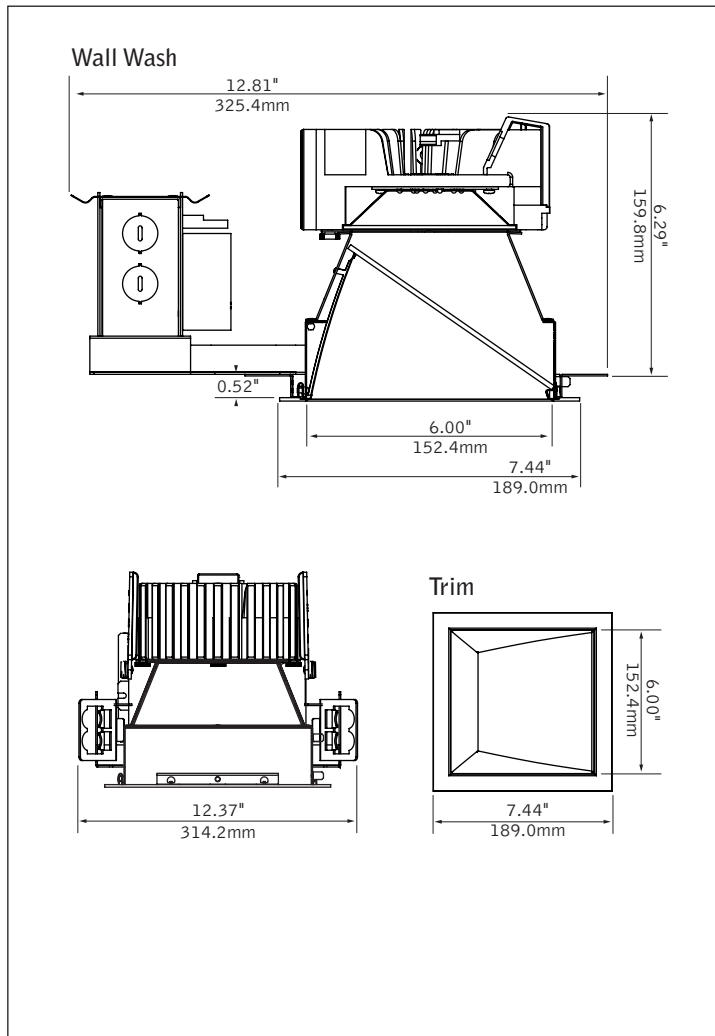


clear diffuse



warm diffuse

DIMENSIONAL DATA



FEATURES

ChromaSure: Color consistency resulting in a 2-step MacAdam ellipse across the entire ID+ product line.

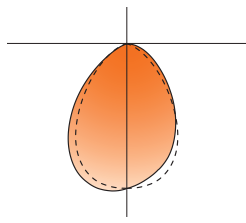
Field adjustability of ceiling thickness from 0.5" - 2.5".

50° cutoff to light source and its image.

Selection of dimming drivers available.

Right Light: Standard delivered lumen outputs 500, 1000, 1500 and 2000.

PERFORMANCE



PRODUCT OVERVIEW

Lumen Output: 500-2000lm

Wattage: 8-37W

LPW: 54-62

Spacing Criteria: 1.02

SDCM: 2

Lumen Maintenance: L70 @ 63,000hrs

Clear Diffuse Reflector
3500k, 1500 Lumens

Delivered Lumens: 1500lm

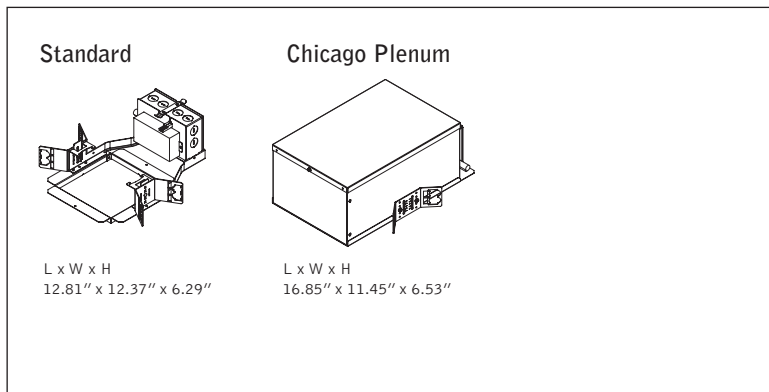
Total System Watts: 24W

Photometric performance is measured in accordance with IESNA LM-79. Visit focalpointlights.com for complete photometric data.

fixture:

project:

HOUSING DETAILS



HOUSING SPECIFICATIONS

Construction

Thermally protected housing for new construction applications. Insulation to be kept 3" away from housing. Butterfly brackets allow mounting to 1/2" emt. Order bar hangers as an accessory. Die-cast aluminum heat sink designed for maximum thermal dissipation. Die-formed housing and integral junction box with (7) 1/2" pry outs. UL & cUL listed for (6) #14 AWG (3 in, 3 out) 90°C conductors and feed through-branch wiring. Accommodates ceiling thicknesses up to 0.5" standard, field adjustable up to 2.5" thickness. For thicker ceiling consult factory. Fixture will not exceed 5 lb.

Electrical

Choice of constant current dimming drivers. Power factor > .9 typical.

Labels

UL and cUL Listed. Suitable for Dry or Damp Locations, indoor use only. Specify wet listed (WL) for recessed ceiling applications in indoor and outdoor locations. Lutron Drivers not recommended for outdoor environments below 0°C.

Lumen Maintenance

Reported: L70 at >63,000 hours. Derived from EPA TM-21 calculator

Reliability

At Focal Point, our products are designed to stand the test of time. Each luminaire is engineered using superior components, manufactured with the utmost care and rigorously tested. Contact us for reliability data.

Warranty

LED System rated for operation in ambient environments up to 25°C. 5-year limited warranty.

TRIM & LED SPECIFICATIONS

LED System

Proprietary array incorporates premium LEDs on a robust platform. May be specified in 2700K, 3000K, 3500K or 4000K, 80+ CRI or 90+ CRI. Color accuracy within 2 SDCM. Aluminum heat sink provides appropriate thermal management.

Aesthetics

Die-formed aluminum reflector ensures glare free optics. Reflector attaches to die-cast, seamless flange and may be removed for field painting. Torsion springs pull trim tight to the ceiling with no visible fasteners within the trim.

Optics

50-degree cut-off to light source and its image. Wall wash features acrylic diffuser to provide smooth illumination down the wall.

PERFORMANCE CHART

Delivered Lumens	System Watts	LPW
500	8	60
1000	16	61
1500	24	62
2000	37	54

Based on 3000/3500K, 80 CRI. Clear Diffuse reflector cone. 90 CRI lumen multiplier: 2700K = 0.71, 3000/3500K = 0.83, 4000K = 0.89. Black multiplier: 0.56. White multiplier: 1.13. Lumen output may vary +/- 5%. Actual wattage may vary +/- 5%.

HOUSING ORDERING

Housing Series	FLC66W	FLC66W
ID+ 6" Square Wall Wash		
Trim Type		
Square Flush	SF	
Square Overlap	SO	
Lumen Output		
500 Lumens	500L	
1000 Lumens	1000L	
1500 Lumens	1500L	
2000 Lumens	2000L	
Voltage		
120V	120	
277V*	277	
Driver		
0-10V - 1% Dimming	L11	
0-10V - 10% Dimming	LD1	
Lutron Hi-Lume EcoSystem (LDE1) - 1% Dimming	LH1	
(Not available with 500L)		
Lutron 5-Series EcoSystem (LDE5) - 5% Dimming	LU5	
(Available with 1000L only)		
DALI - 1% Dimming	D11	
(Not available with 500L)		
DMX - 3-Channel, 0% Dimming	MZ3	
(Not available with 500L)		
Housing Type		T
Thermally Protected, Non-IC	T	
Factory Options		
Bar Hangers	BH	
Chicago Plenum / National Plenum	CP	
TRIM & LED MODULE		
Aperture		LC66
6" Square Reflector	LC66	
Trim Type		SQ
Square	SQ	
Lumen Output		
(Trim & Housing output must match)		
500 Lumens	500L	
1000 Lumens	1000L	
1500 Lumens	1500L	
2000 Lumens	2000L	
Color Temperature		
2700K, 80+ CRI or 90+ CRI	27K or 927K	
3000K, 80+ CRI or 90+ CRI	30K or 930K	
3500K, 80+ CRI or 90+ CRI	35K or 935K	
4000K, 80+ CRI or 90+ CRI	40K or 940K	
Optic		WW
Wall Wash	WW	
Color		
Clear Diffuse	CD	
Warm Diffuse	WD	
Flange Finish		
Black	BK	
White	WH	
Titanium Silver	TS	
Aluminum Raw	AL	
Factory Options		
Wet Listed	WL	
(Not available with 90CRI)		

A complete unit consists of two line items, housing and trim
Example: FLC66W-SO-1500L-120-LD1-T | LC66-SQ-1500L-35K-WW-CD-WH