

ID+ 4.5"

LED WALL WASH



clear diffuse



warm diffuse



white painted flange



black reflector

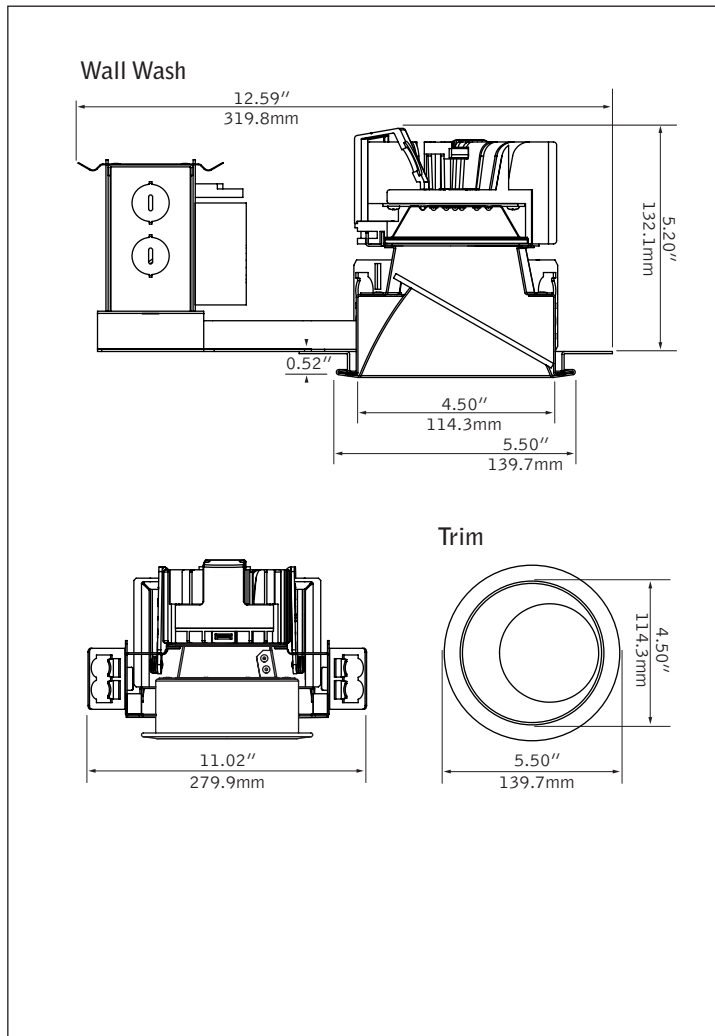


white reflector



trimless companion

DIMENSIONAL DATA



FEATURES

ChromaSure: Color consistency resulting in a 2-step MacAdam ellipse across the entire ID+ product line.

Field adjustability of ceiling thickness from 0.5" - 2.5".

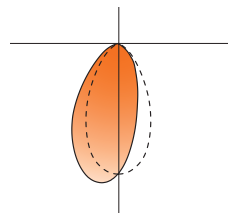
Shallow housing.

50° cutoff to light source and its image.

Selection of dimming drivers available.

Right Light: Standard delivered lumen outputs 500, 1000, and 1500.

PERFORMANCE



PRODUCT OVERVIEW

Lumen Output: 500-1500lm

Wattage: 11-42W

LPW: 36-44

Spacing Criteria: 1.07

SDCM: 2

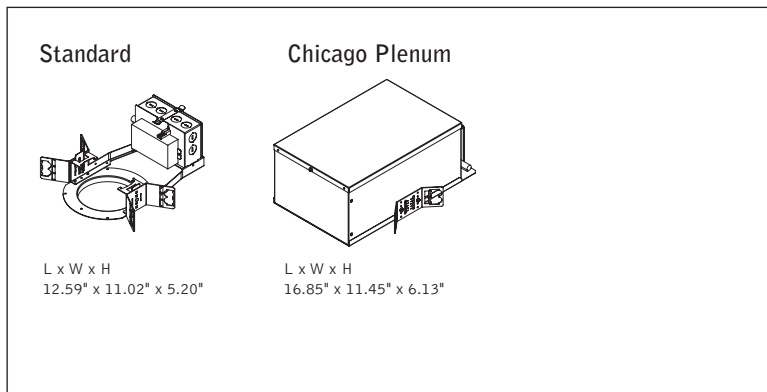
Clear Diffuse Reflector
 3500k
Delivered Lumens: 1500lm
Total System Watts: 42W

Photometric performance is measured in accordance with IESNA LM-79.
 Visit focalpointlights.com for complete photometric data.

fixture:

project:

HOUSING DETAILS



HOUSING SPECIFICATIONS

Construction

Thermally protected housing for new construction applications. Insulation to be kept 3" away from housing. Butterfly brackets allow mounting to 1/2" emt. Order bar hangers as an accessory. Die-cast aluminum heat sink designed for maximum thermal dissipation. Die-formed housing and integral junction box with (7) 1/2" pry outs. UL & cUL listed for (6) #14 AWG (3 in, 3 out) 90°C conductors and feed through-branch wiring. Accommodates ceiling thicknesses up to 0.5" standard, field adjustable up to 2.5" thickness. For thicker ceiling consult factory. Order TZB option for TechZone compatible housing brackets. Fixture will not exceed 5 lb.

Electrical

Choice of constant current dimming drivers. Power factor > .9 typical.

Labels

UL and cUL Listed. Suitable for Dry or Damp Locations, indoor use only. Specify wet listed (WL) for recessed ceiling applications in indoor and outdoor locations. Lutron Drivers not recommended for outdoor environments below 0°C.

Lumen Maintenance

Reported: L70 at >63,000 hours

Derived from EPA TM-21 calculator. Based on typical conditions, consult factory for additional data.

Reliability

At Focal Point, our products are designed to stand the test of time. Each luminaire is engineered using superior components, manufactured with the utmost care and rigorously tested. Contact us for reliability data.

Warranty

LED System rated for operation in ambient environments up to 25°C. 5-year limited warranty.

TRIM & LED SPECIFICATIONS

LED System

Proprietary array incorporates premium LEDs on a robust platform. May be specified in 2700K, 3000K, 3500K or 4000K, 80+ CRI or 90+ CRI. Color accuracy within 2 SDCM. Aluminum heat sink provides appropriate thermal management.

Aesthetics

Parabolic reflector cone ensures glare free optics. Reflector is .050 spun aluminum. Torsion springs pull trim tight to the ceiling with no visible fasteners within the trim. Trims are self-flanged. Non-painted trim matches reflector finish. White painted flange may also be specified.

Optics

50-degree cut-off to light source and its image. Wall wash features acrylic diffuser to provide smooth illumination down the wall.

PERFORMANCE CHART

Delivered Lumens	System Watts	LPW
500	11	44
1000	24	41
1500	42	36

Based on 3000/3500K, 80 CRI. Clear Diffuse reflector cone. 90+ CRI lumen multipliers 2700K: 0.71, 3000/3500K: 0.83, 4000K: 0.89. Black Multiplier: 0.56. White Multiplier: 1.13. Lumen output may vary +/- 5%. Actual wattage may vary +/- 5%.

HOUSING ORDERING

Housing Series	FLC4W
ID+ 4.5" Round Wall Wash	FLC4W
Trim Type	RO
Round Overlap	RO
<small>(Click to view trimless cutsheet)</small>	
Lumen Output	
500 Lumens	500L
1000 Lumens	1000L
1500 Lumens	1500L
Voltage	
120V	120
277V**	277
Control System & Dimming Level	
0-10V - 1% Dimming	L11
0-10V - 10% Dimming	LD1
Lutron Hi-Lume EcoSystem (LDE1) - 1% Dimming	LH1
Lutron 5-Series EcoSystem (LDE5) - 5% Dimming	LU5
<small>(Not available with 500L)</small>	
DALI - 1% Dimming	D11
DMX - 3-Channel, 0% Dimming	MZ3
Housing Type	T
Thermally Protected, Non-IC	T
Factory Options	
Bar Hangers	BH
Chicago Plenum / National Plenum	CP
6" TechZone Brackets	TZB
TRIM & LED MODULE	
Aperture	LC4
4.5" Round Reflector	LC4
Trim Type	RD
Round	RD
Lumen Output	
<small>(Trim & Housing output must match)</small>	
500 Lumens	500L
1000 Lumens	1000L
1500 Lumens	1500L
Color Temperature	
2700K, 80+ CRI or 90+ CRI	27K or 927K
3000K, 80+ CRI or 90+ CRI	30K or 930K
3500K, 80+ CRI or 90+ CRI	35K or 935K
4000K, 80+ CRI or 90+ CRI	40K or 940K
Optic	WW
Wall Wash	WW
Color	
Clear Diffuse	CD
Warm Diffuse	WD
Black	BK
<small>(Black Painted flange only)</small>	
White	WH
<small>(White Painted flange only)</small>	
Flange Finish	
Non-Painted	NP
<small>(Clear and warm diffuse only)</small>	
Black Painted	BP
White Painted	WP
Factory Options	
Wet Listed	WL
<small>(Consult factory for 90CRI)</small>	

A complete unit consists of two line items, housing and trim
Example: FLC4W-RO-1500L-120-LD1-T | LC4-RD-1500L-35K-WW-CD-NP



Options in orange qualify for the Quickship program. 5-day up to 50 pieces. Refer to Quickship Guide for complete details.