

# ID+ 4.5" Trimless

LED DOWNLIGHT



clear diffuse



warm diffuse



black painted

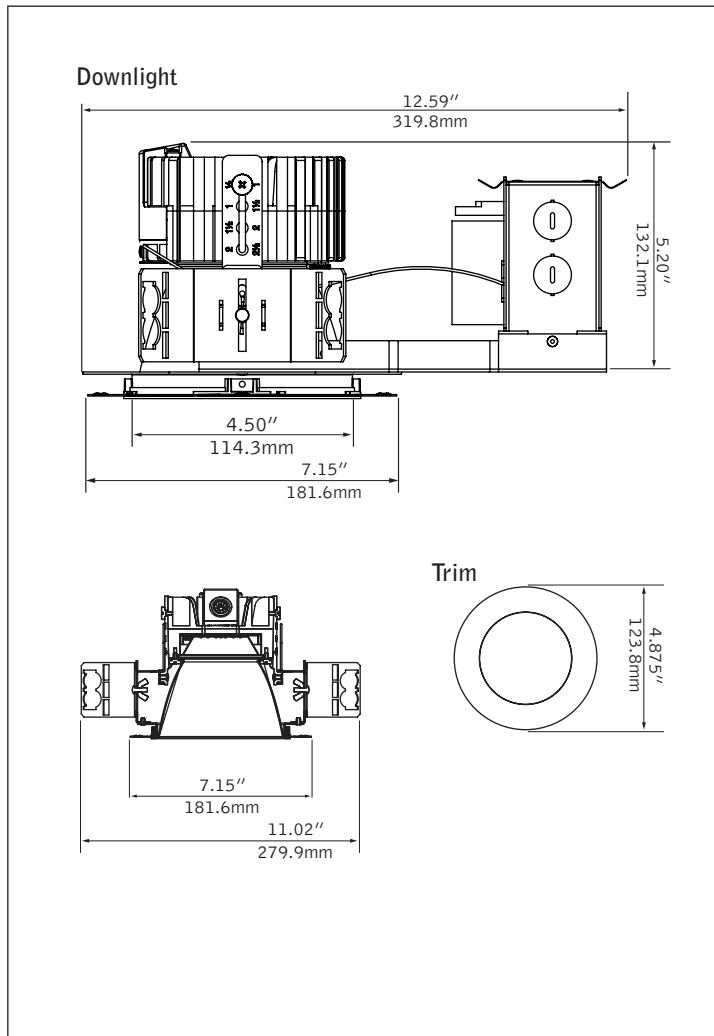


white painted



overlap trim companion

## DIMENSIONAL DATA



## FEATURES

ChromaSure: Color consistency resulting in a 2-step MacAdam ellipse across the entire ID+ product line.

Field adjustability of ceiling thickness from 0.5" - 2.5".

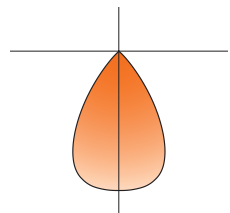
Shallow housing.

50° cutoff to light source and its image.

Selection of dimming drivers available.

Right Light: Standard delivered lumen outputs 1000, 1500, 2000, 2500, and 3000.

## PERFORMANCE



**PRODUCT OVERVIEW**

Lumen Output: 1000-3000lm

Wattage: 12-45W

LPW: 66-81


Spacing Criteria: 1.01-1.02

SDCM: 2

Clear Diffuse Reflector  
3500k

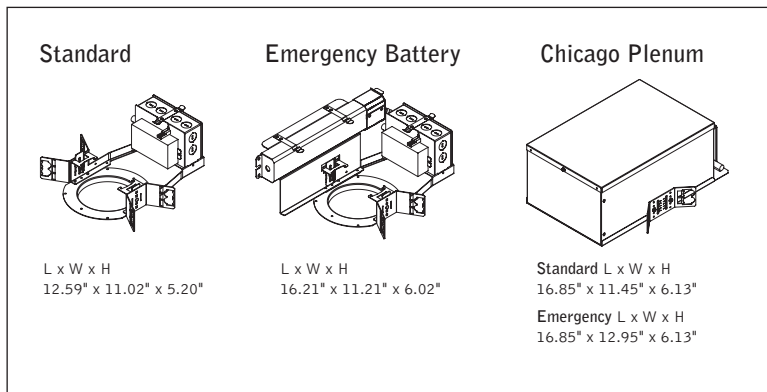
**Delivered Lumens: 2000lm**

**Total System Watts: 26W**



Photometric performance is measured in accordance with IESNA LM-79. Visit focalpointlights.com for complete photometric data. Visit energystar.gov for model specifics.

## HOUSING DETAILS



## HOUSING SPECIFICATIONS

### Construction

Thermally protected housing for new construction applications. Insulation to be kept 3" away from housing. Butterfly brackets allow mounting to 1/2" emt. Order bar hangers as an accessory. Die-cast aluminum heat sink designed for maximum thermal dissipation. Die-formed housing and integral junction box with (7) 1/2" pry outs. UL & cUL listed for (6) #14 AWG (3 in, 3 out) 90°C conductors and feed through-branch wiring. Accommodates ceiling thicknesses up to 0.5" standard, field adjustable up to 2.5" thickness. For thicker ceiling consult factory. Fixture will not exceed 5 lb.

### Electrical

Choice of constant current dimming drivers. Power factor > .9 typical.

### Emergency

Emergency Battery Pack: Bodine BSL17C-C2. Emergency output —7W for 90 minutes. Maximum mounting height: 23.3ft

### Labels

UL and cUL Listed. Suitable for Dry or Damp Locations, indoor use only. Specify wet listed (WL) for recessed ceiling applications in indoor and outdoor locations. Lutron Drivers not recommended for outdoor environments below 0°C.

### Lumen Maintenance

Reported: L70 at >63,000 hours  
Derived from EPA TM-21 calculator. Based on typical conditions, consult factory for additional data.

### Reliability

At Focal Point, our products are designed to stand the test of time. Each luminaire is engineered using superior components, manufactured with the utmost care and rigorously tested. Contact us for reliability data.

### Warranty

LED System rated for operation in ambient environments up to 25°C. 5-year limited warranty.

## TRIM & LED SPECIFICATIONS

### LED System

Proprietary array incorporates premium LEDs on a robust platform. May be specified in 2700K, 3000K, 3500K or 4000K, 80+ CRI or 90+ CRI. Color accuracy within 2 SDCM. Aluminum heat sink provides appropriate thermal management.

### Aesthetics

Parabolic reflector cone ensures glare free optics. Reflector is .050 spun aluminum. Torsion springs pull trim tight to the ceiling with no visible fasteners.

### Optics

50-degree cut-off to light source and its image.

## PERFORMANCE CHART

| Delivered Lumens | System Watts | LPW |
|------------------|--------------|-----|
| 1000             | 12           | 81  |
| 1500**           | 19           | 78  |
| 2000**           | 26           | 76  |
| 2500             | 36           | 70  |
| 3000             | 45           | 66  |

Based on 3000/3500K, 80 CRI. Clear Diffuse reflector cone. 90+ CRI lumen multipliers 2700K: 0.71, 3000/3500K: 0.83, 4000K: 0.89. Black Multiplier: 0.56. White Multiplier: 1.13. Lumen output may vary +/- 5%. Actual wattage may vary +/- 5%. \*\*LUS output: 1500L=1250lm, 2000L=1800lm.

## HOUSING ORDERING

|   |             |              |
|---|-------------|--------------|
| <b>Housing Series</b>                         | FLC4D       | <b>FLC4D</b> |
| ID+ 4.5" Round Downlight                      |             |              |
| <b>Trim Type</b>                              | <b>RT</b>   | <b>RT</b>    |
| Round Trimless                                | RT          |              |
| (Click to view overlap trim cutsheet)         |             |              |
| <b>Lumen Output</b>                           |             |              |
| 1000 Lumens                                   | 1000L       |              |
| 1500 Lumens                                   | 1500L       |              |
| 2000 Lumens                                   | 2000L       |              |
| 2500 Lumens                                   | 2500L       |              |
| 3000 Lumens                                   | 3000L       |              |
| <b>Voltage</b>                                |             |              |
| 120V  | 120         |              |
| 277V**  | 277         |              |
| <b>Control System &amp; Dimming Level</b>     |             |              |
| 0-10V - 1% Dimming                            | L11         |              |
| 0-10V - 10% Dimming                           | LD1         |              |
| Lutron Hi-Lume EcoSystem (LDE1) - 1% Dimming  | LH1         |              |
| Lutron 5-Series EcoSystem (LDE5) - 5% Dimming | LU5         |              |
| (Not available with 1000L & 3000L)            |             |              |
| DALI - 1% Dimming                             | D11         |              |
| DMX - 3-Channel, 0% Dimming                   | MZ3         |              |
| <b>Housing Type</b>                           | <b>T</b>    | <b>T</b>     |
| Thermally Protected, Non-IC                   | T           |              |
| <b>Factory Options</b>                        |             |              |
| Bar Hangers                                   | BH          |              |
| Chicago Plenum / National Plenum              | CP          |              |
| Emergency Battery                             | EM          |              |
| (Must order LC4EM trim)                       |             |              |
| <b>TRIM &amp; LED MODULE</b>                  |             |              |
| <b>Aperture</b>                               |             |              |
| 4.5" Round Reflector                          | LC4         |              |
| 4.5" Round Reflector - Emergency              | LC4EM       |              |
| (Required for "EM" option)                    |             |              |
| <b>Trim Type</b>                              | <b>RT</b>   | <b>RT</b>    |
| Round Trimless                                | RT          |              |
| <b>Lumen Output</b>                           |             |              |
| (Trim & Housing output must match)            |             |              |
| 1000 Lumens                                   | 1000L       |              |
| 1500 Lumens                                   | 1500L       |              |
| 2000 Lumens                                   | 2000L       |              |
| 2500 Lumens                                   | 2500L       |              |
| 3000 Lumens                                   | 3000L       |              |
| <b>Color Temperature</b>                      |             |              |
| 2700K, 80+ CRI or 90+ CRI                     | 27K or 927K |              |
| 3000K, 80+ CRI or 90+ CRI                     | 30K or 930K |              |
| 3500K, 80+ CRI or 90+ CRI                     | 35K or 935K |              |
| 4000K, 80+ CRI or 90+ CRI                     | 40K or 940K |              |
| <b>Optic</b>                                  | <b>DN</b>   | <b>DN</b>    |
| Downlight                                     | DN          |              |
| <b>Color</b>                                  |             |              |
| Clear Diffuse                                 | CD          |              |
| Warm Diffuse                                  | WD          |              |
| Black   | BK          |              |
| White   | WH          |              |
| <b>Factory Options</b>                        |             |              |
| Wet Listed                                    | WL          |              |
| (Consult factory for 90CRI)                   |             |              |

A complete unit consists of two line items, housing and trim  
Example: FLC4D-RT-1500L-120-LD1-T | LC4-RT-1500L-35K-DN-CD