

ID+ 4.5"

LED DOWNLIGHT



FOCAL POINT®



clear diffuse



warm diffuse



white painted
flange



black reflector

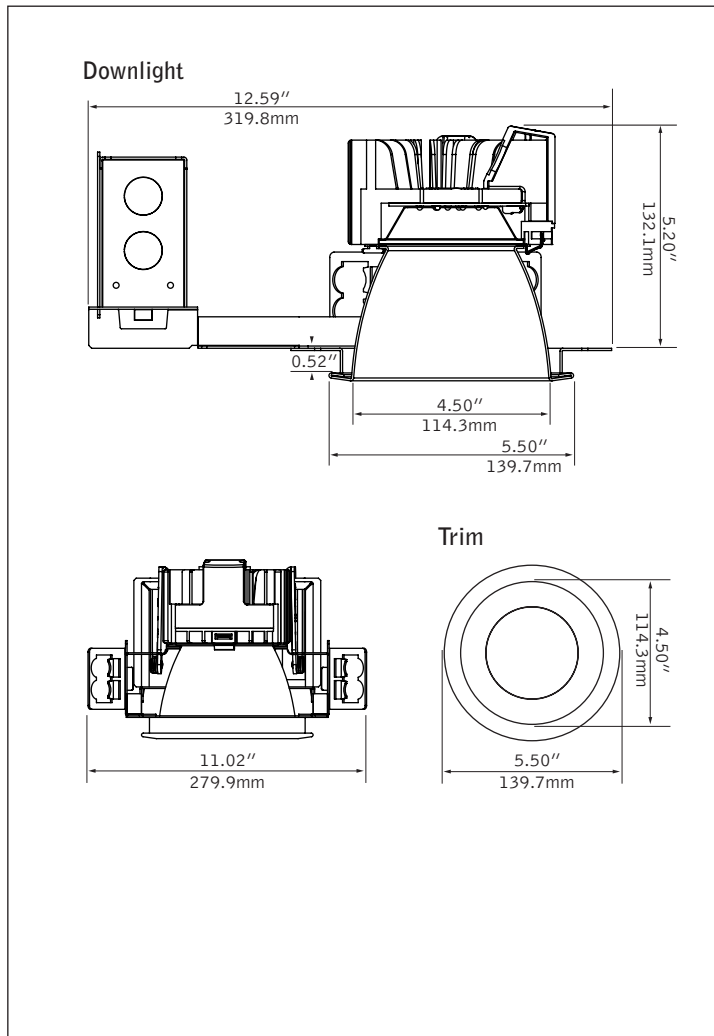


white reflector



trimless
companion

DIMENSIONAL DATA



FEATURES

ChromaSure: Color consistency resulting in a 2-step MacAdam ellipse across the entire ID+ product line.

Field adjustability of ceiling thickness from 0.5" - 2.5".

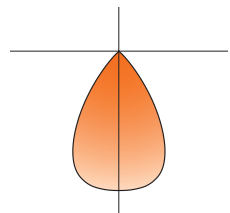
Shallow housing.

50° cutoff to light source and its image.

Selection of dimming drivers available.

Right Light: Standard delivered lumen outputs 1000, 1500, 2000, 2500, and 3000.

PERFORMANCE



PRODUCT OVERVIEW

Lumen Output: 1000-3000lm

Wattage: 12-45W

LPW: 66-81


Spacing Criteria: 1.01-1.02

SDCM: 2

Clear Diffuse Reflector
3500k

Delivered Lumens: 2000lm

Total System Watts: 26W

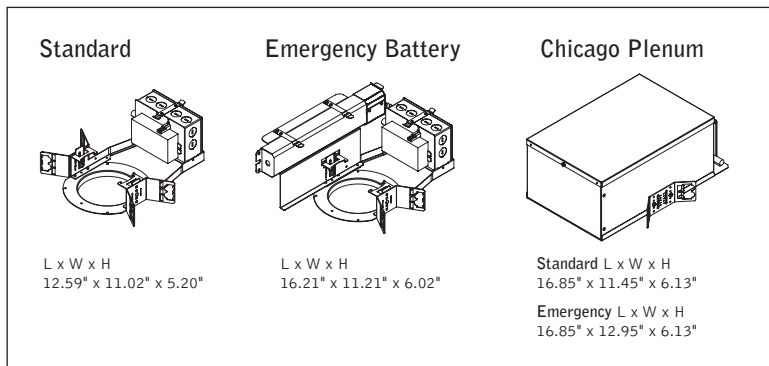


Photometric performance is measured in accordance with IESNA LM-79. Visit focalpointlights.com for complete photometric data. Visit energystar.gov for model specifics.

fixture:

project:

HOUSING DETAILS



HOUSING SPECIFICATIONS

Construction

Thermally protected housing for new construction applications. Insulation to be kept 3" away from housing. Butterfly brackets allow mounting to 1/2" emt. Order bar hangers as an accessory. Die-cast aluminum heat sink designed for maximum thermal dissipation. Die-formed housing and integral junction box with (7) 1/2" pry outs. UL & cUL listed for (6) #14 AWG (3 in, 3 out) 90°C conductors and feed through-branch wiring. Accommodates ceiling thicknesses up to 0.5" standard, field adjustable up to 2.5" thickness. For thicker ceiling consult factory. Order TZB option for TechZone compatible housing brackets. Fixture will not exceed 5 lb.

Electrical

Choice of constant current dimming drivers. Power factor > .9 typical.

Emergency

Emergency Battery Pack: Bodine BSL17C-C2. Emergency output —7W for 90 minutes. Maximum mounting height: 23.3ft. (Black reflector color: 18.1ft.)

Labels

UL and cUL Listed. Suitable for Dry or Damp Locations, indoor use only. Specify wet listed (WL) for recessed ceiling applications in indoor and outdoor locations. Lutron Drivers not recommended for outdoor environments below 0°C.

Lumen Maintenance

Reported: L70 at >63,000 hours
Derived from EPA TM-21 calculator. Based on typical conditions, consult factory for additional data.

Reliability

At Focal Point, our products are designed to stand the test of time. Each luminaire is engineered using superior components, manufactured with the utmost care and rigorously tested. Contact us for reliability data.

Warranty

LED System rated for operation in ambient environments up to 25°C. 5-year limited warranty.

TRIM & LED SPECIFICATIONS

LED System

Proprietary array incorporates premium LEDs on a robust platform. May be specified in 2700K, 3000K, 3500K or 4000K, 80+ CRI or 90+ CRI. Color accuracy within 2 SDCM. Aluminum heat sink provides appropriate thermal management.

Aesthetics

Parabolic reflector cone ensures glare free optics. Reflector is .050 spun aluminum. Torsion springs pull trim tight to the ceiling with no visible fasteners within the trim. Trims are self-flanged. Non-painted trim matches reflector finish. White painted flange may also be specified.

Optics

50-degree cut-off to light source and its image.

PERFORMANCE CHART

Delivered Lumens	System Watts	LPW
1000	12	81
1500**	19	78
2000**	26	76
2500	36	70
3000	45	66

Based on 3000/3500K, 80 CRI. Clear Diffuse reflector cone. 90+ CRI lumen multipliers 2700K: 0.71, 3000/3500K: 0.83, 4000K: 0.89. Black Multiplier: 0.56. White Multiplier: 1.13. Lumen output may vary +/- 5%. Actual wattage may vary +/- 5%. **LU5 output: 1500L=1250lm, 2000L=1800lm.

Focal Point LLC reserves the right to change specifications for product improvement without notification.

HOUSING ORDERING

Housing Series	FLC4D
ID+ 4.5" Round Downlight	FLC4D
Trim Type	RO
Round Overlap <small>(Click to view trimless cutsheet)</small>	RO
Lumen Output	
1000 Lumens	1000L
1500 Lumens	1500L
2000 Lumens	2000L
2500 Lumens	2500L
3000 Lumens	3000L
Voltage	
120V	120
277V**	277
Control System & Dimming Level	
0-10V - 1% Dimming	L11
0-10V - 10% Dimming	LD1
Lutron Hi-Lume EcoSystem (LDE1) - 1% Dimming	LH1
Lutron 5-Series EcoSystem (LDE5) - 5% Dimming <small>(Not available with 1000L & 3000L)</small>	LU5
DALI - 1% Dimming	D11
DMX - 3-Channel, 0% Dimming	MZ3
Housing Type	T
Thermally Protected, Non-IC	T
Factory Options	
Bar Hangers	BH
Chicago Plenum / National Plenum	CP
Emergency Battery <small>(Must order LC4EM trim)</small>	EM
6" TechZone Brackets	TZB
TRIM & LED MODULE	
Aperture	
4.5" Round Reflector	LC4
4.5" Round Reflector - Emergency <small>(Required for "EM" option)</small>	LC4EM
Trim Type	RD
Round	RD
Lumen Output <small>(Trim & Housing output must match)</small>	
1000 Lumens	1000L
1500 Lumens	1500L
2000 Lumens	2000L
2500 Lumens	2500L
3000 Lumens	3000L
Color Temperature	
2700K, 80+ CRI or 90+ CRI	27K or 927K
3000K, 80+ CRI or 90+ CRI	30K or 930K
3500K, 80+ CRI or 90+ CRI	35K or 935K
4000K, 80+ CRI or 90+ CRI	40K or 940K
Optic	DN
Downlight	DN
Color	
Clear Diffuse	CD
Warm Diffuse	WD
Black <small>(Black Painted flange only)</small>	BK
White <small>(White Painted flange only)</small>	WH
Flange Finish	
Non-Painted <small>(Clear and warm diffuse only)</small>	NP
Black Painted	BP
White Painted	WP
Factory Options	
Wet Listed <small>(Consult factory for 90CRI)</small>	WL

A complete unit consists of two line items, housing and trim
Example: FLC4D-RO-1500L-120-LD1-T | LC4-RO-1500L-35K-DN-CD-NP



Options in orange qualify for the Quickship program. 5-day up to 100 pieces. Refer to Quickship Guide for complete details.

For more information visit focalpointlights.com/reference or consult factory.