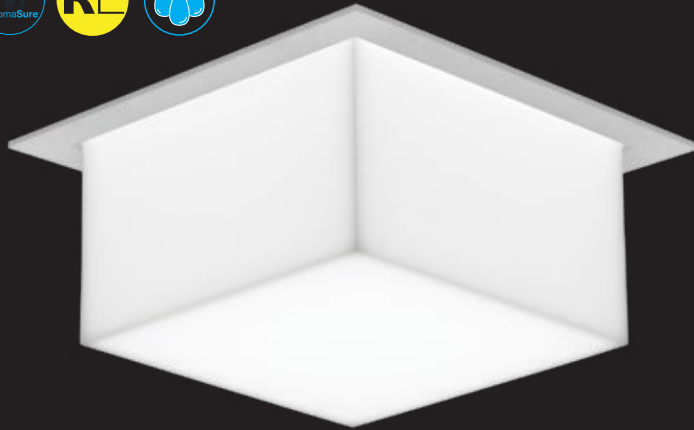


# ID+ 4.5" x 4.5"

DECORATIVE DROP LENS LED



FOCAL POINT®



1" drop lens

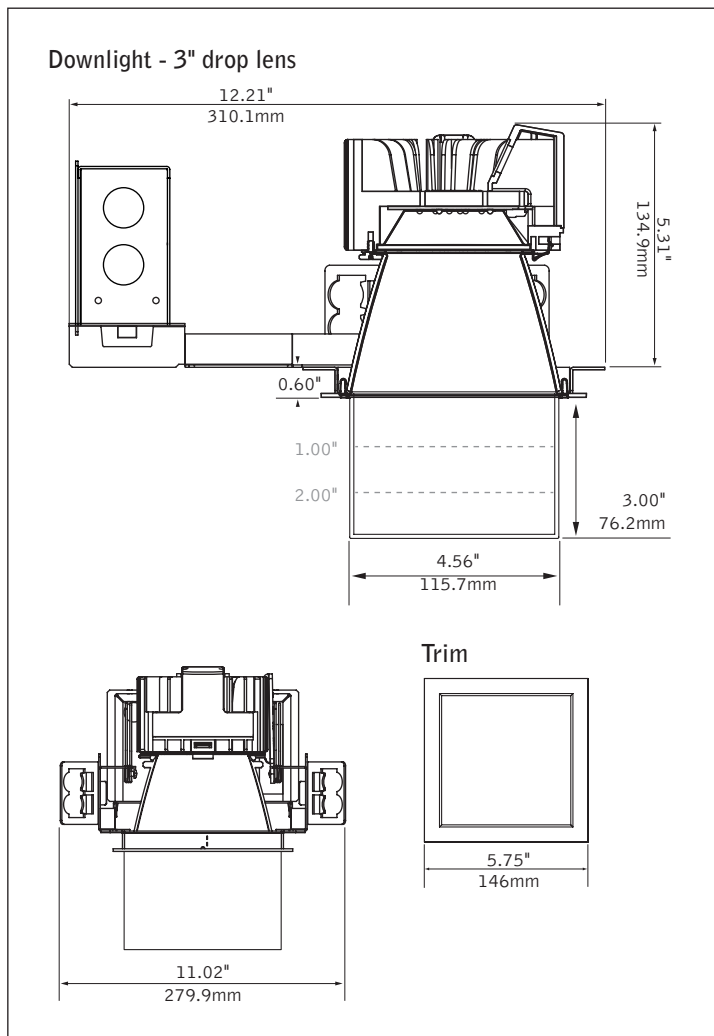


2" drop lens



3" drop lens

## DIMENSIONAL DATA



## FEATURES

Architectural recessed LED luminaire with decorative drop lens. LEDs evenly backlight a formed frosted acrylic lens, creating a soft and pleasant glow. Specify the drop lens position in 1", 2" or 3" depths.

ChromaSure: Color consistency of 2-step MacAdams across the entire ID+ product line.

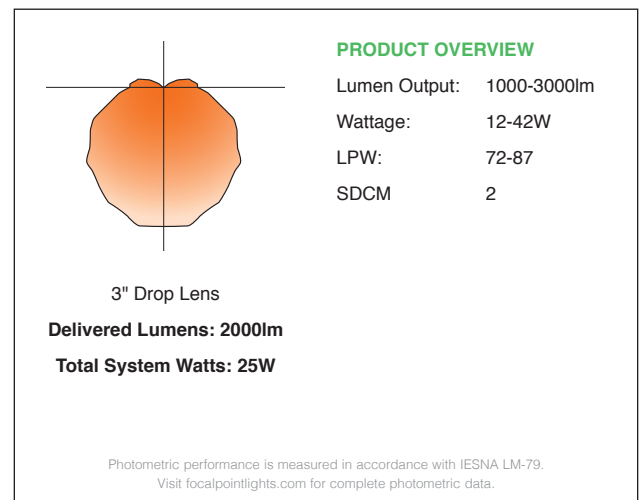
Field adjustability of ceiling thickness from 0.5" - 2.5".

Shallow housing.

Selection of dimming drivers available.

Right Light: Standard delivered lumen outputs 1000, 1500, 2000, 2500, and 3000.

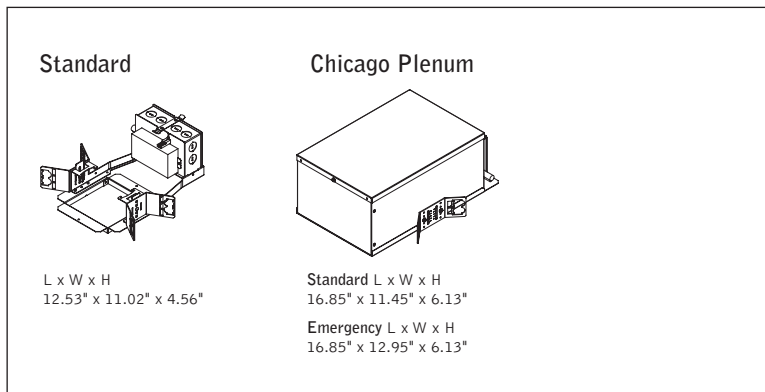
## PERFORMANCE



fixture:

project:

## HOUSING DETAILS



## HOUSING SPECIFICATIONS

### Construction

Thermally protected housing for new construction applications. Insulation to be kept 3" away from housing. Butterfly brackets allow mounting to 1/2" emt. Order bar hangers as an accessory. Die-cast aluminum heat sink designed for maximum thermal dissipation. Die-formed housing and integral junction box with (7) 1/2" pry outs. UL & cUL listed for (6) #14 AWG (3 in, 3 out) 90°C conductors and feed through-branch wiring. Accommodates ceiling thicknesses up to 0.5" standard, field adjustable up to 2.5" thickness. For thicker ceiling consult factory. Order TZB option for TechZone compatible housing brackets. Fixture will not exceed 5 lb.

### Electrical

Choice of constant current dimming drivers. Power factor > .9 typical.

### Labels

UL and cUL Listed. Wet Location listed, indoor use only.

### Lumen Maintenance

Reported: L70 at >63,000 hours

Derived from EPA TM-21 calculator. Based on typical conditions, consult factory for additional data.

### Reliability

At Focal Point, our products are designed to stand the test of time. Each luminaire is engineered using superior components, manufactured with the utmost care and rigorously tested. Contact us for reliability data.

### Warranty

LED System rated for operation in ambient environments up to 25°C. 5-year limited warranty.

## TRIM & LED SPECIFICATIONS

### LED System

Proprietary array incorporates premium LEDs on a robust platform. May be specified in 2700K, 3000K, 3500K or 4000K, 80+ CRI or 90+ CRI. Color accuracy within 2 SDCM. Aluminum heat sink provides appropriate thermal management.

### Aesthetics

High reflectance while reflector attaches to die-cast, seamless flange and may be removed for field painting. Torsion springs pull trim tight to the ceiling with no visible fasteners within the trim.

### Optics

.125" thick formed frosted acrylic diffuser.

## PERFORMANCE CHART

Delivered Lumens	System Watts	LPW
1000	12	87
1500	19	81
2000	25	79
2500	35	72
3000	42	72

Based on 3000/3500K, 80 CRI. Lumen multipliers: Lens = 0.88, 90+ CRI = 2700K: 0.71, 3000/3500K: 0.83, 4000K: 0.89. Lumen output may vary +/- 5%. Actual wattage may vary +/- 5%.

## HOUSING ORDERING

<b>Housing Series</b>	<b>FLC44D</b>
ID+ 4.5" Square Downlight	FLC44D
<b>Trim Type</b>	
Square Flush	SF
Square Overlap	SO
<b>Lumen Output</b>	
1000 Lumen	1000L
1500 Lumen	1500L
2000 Lumen	2000L
2500 Lumen	2500L
3000 Lumen	3000L
<b>Voltage</b>	
120V	120
277V**	277
<b>Control System &amp; Dimming Level</b>	
0-10V - 1% Dimming	L11
0-10V - 10% Dimming	LD1
Lutron Hi-Lume EcoSystem (LDE1) - 1% Dimming	LH1
Lutron 5-Series EcoSystem (LDE5) - 5% Dimming <small>(2000L &amp; 2500L only)</small>	LU5
DALI - 1% Dimming	D11
DMX - 3-Channel, 0% Dimming	MZ3
<b>Housing Type</b>	<b>T</b>
Thermally Protected, Non-IC	T
<b>Factory Options</b>	
Bar Hangers	BH
Chicago Plenum / National Plenum	CP
6" TechZone Brackets	TZB
<b>TRIM &amp; LED MODULE</b>	
<b>Aperture</b>	<b>LC44</b>
4.5" Square Reflector	LC44
<b>Trim Type</b>	<b>SQ</b>
Square	SQ
<b>Lumen Output</b>	
<small>(Trim &amp; Housing output must match)</small>	
1000 Lumens	1000L
1500 Lumens	1500L
2000 Lumens	2000L
2500 Lumens	2500L
3000 Lumens	3000L
<b>Color Temperature</b>	
2700K, 80+ CRI or 90+ CRI	27K or 927K
3000K, 80+ CRI or 90+ CRI	30K or 930K
3500K, 80+ CRI or 90+ CRI	35K or 935K
4000K, 80+ CRI or 90+ CRI	40K or 940K
<b>Optic</b>	
1" Drop Lens	AC1
2" Drop Lens	AC2
3" Drop Lens	AC3
<b>Flange Finish</b>	
Black	BK
White	WH
Titanium Silver	TS

A complete unit consists of two line items, housing and trim  
Example: FLC44D-SO-1500L-120-LD1-T | LC44-SQ-1500L-35K-AC1-WH