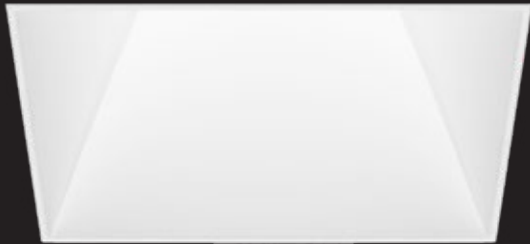


ID+ 4.5" x 4.5" Trimless

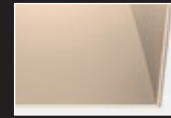
LED DOWNLIGHT



FOCAL POINT®



clear diffuse



warm diffuse



black die-cast

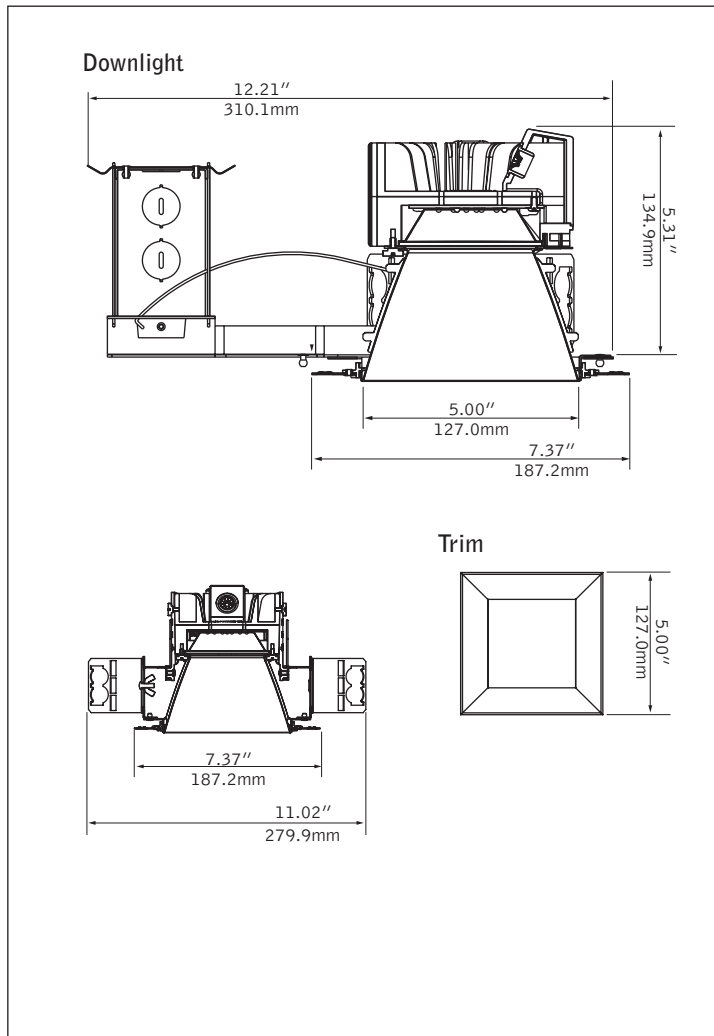


white die-cast



overlap trim
companion

DIMENSIONAL DATA



FEATURES

ChromaSure: Color consistency resulting in a 2-step MacAdam ellipse across the entire ID+ product line.

Field adjustability of ceiling thickness from 0.5" - 2.5".

Shallow housing.

50° cutoff to light source and its image.

Selection of dimming drivers available.

Right Light: Standard delivered lumen outputs 1000, 1500, 2000, 2500, and 3000.

PERFORMANCE

**White Die-Cast
3500k**

Delivered Lumens: 2000lm
Total System Watts: 25W

PRODUCT OVERVIEW

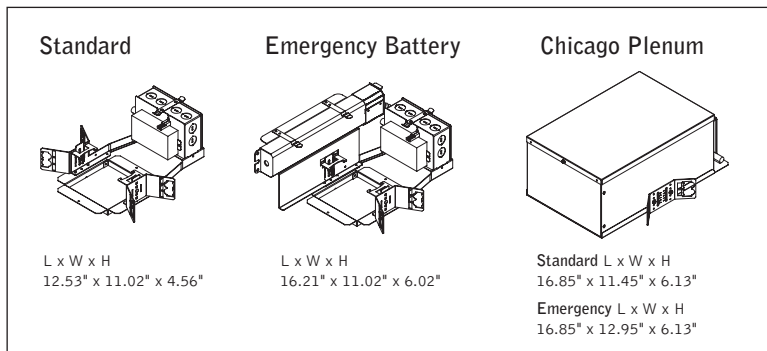
- Lumen Output: 1000-3000lm
- Wattage: 12-42W
- LPW: 72-87
- Spacing Criteria: 1.07- 1.11
- SDCM: 2

Photometric performance is measured in accordance with IESNA LM-79.
Visit focalpointlights.com for complete photometric data. Visit energystar.gov for model specifics.

fixture:

project:

HOUSING DETAILS



HOUSING SPECIFICATIONS

Construction

Thermally protected housing for new construction applications. Insulation to be kept 3" away from housing. Butterfly brackets allow mounting to 1/2" emt. Order bar hangers as an accessory. Die-cast aluminum heat sink designed for maximum thermal dissipation. Die-formed housing and integral junction box with (7) 1/2" pry outs. UL & cUL listed for (6) #14 AWG (3 in, 3 out) 90°C conductors and feed through-branch wiring. Accommodates ceiling thicknesses up to 0.5" standard, field adjustable up to 2.5" thickness. For thicker ceiling consult factory. Fixture will not exceed 5 lb.

Electrical

Choice of constant current dimming drivers. Power factor > .9 typical.

Emergency

Emergency Battery Pack: Bodine BSL17C-C2. Emergency output —7W for 90 minutes. Maximum mounting height: 23.3ft

Labels

UL and cUL Listed. Suitable for Dry or Damp Locations, indoor use only. Specify wet listed (WL) for recessed ceiling applications in indoor and outdoor locations. Lutron Drivers not recommended for outdoor environments below 0°C.

Lumen Maintenance

Reported: L70 at >63,000 hours
Derived from EPA TM-21 calculator. Based on typical conditions, consult factory for additional data.

Reliability

At Focal Point, our products are designed to stand the test of time. Each luminaire is engineered using superior components, manufactured with the utmost care and rigorously tested. Contact us for reliability data.

Warranty

LED System rated for operation in ambient environments up to 25°C. 5-year limited warranty.

TRIM & LED SPECIFICATIONS

LED System

Proprietary array incorporates premium LEDs on a robust platform. May be specified in 2700K, 3000K, 3500K or 4000K, 80+ CRI or 90+ CRI. Color accuracy within 2 SDCM. Aluminum heat sink provides appropriate thermal management.

Aesthetics

White and black trims are a single molded die-cast unit while clear diffuse and warm diffuse trims are die-formed aluminum reflectors attached to a die-cast with a seamless flange and may be removed for field painting. Torsion springs pull trim right to the ceiling with no visible fasteners within the trim.

Optics

50-degree cut-off to light source and its image.

PERFORMANCE CHART

Delivered Lumens	System Watts	LPW
1000	12	87
1500	19	81
2000	25	79
2500	36	72
3000	42	72

Based on 3000/3500K, 80 CRI, White Die-Cast, 90+ CRI lumen multipliers: 2700K: 0.71, 3000/3500K: 0.83, 4000K: 0.89. Black Multiplier: 0.50. Clear Diffuse Multiplier: 0.88. Lumen output may vary +/- 5%. Actual wattage may vary +/- 5%.

HOUSING ORDERING

Housing Series	FLC44D	FLC44D
ID+ 4.5" Square Downlight		
Trim Type		ST
Square Trimless	ST	
(Click to view overlap trim cutsheet)		
Lumen Output		
1000 Lumens	1000L	
1500 Lumens	1500L	
2000 Lumens	2000L	
2500 Lumens	2500L	
3000 Lumens	3000L	
Voltage		
120V	120	
277V**	277	
Control System & Dimming Level		
0-10V - 1% Dimming	L11	
0-10V - 10% Dimming	LD1	
Lutron Hi-Lume EcoSystem (LDE1) - 1% Dimming	LH1	
Lutron 5-Series EcoSystem (LDE5) - 5% Dimming (2000L & 2500L only)	LU5	
DALI - 1% Dimming	D11	
DMX - 3-Channel, 0% Dimming	MZ3	
Housing Type		T
Thermally Protected, Non-IC	T	
Factory Options		
Bar Hangers	BH	
Chicago Plenum / National Plenum	CP	
Emergency Battery (Must order LC44EM trim)	EM	
TRIM & LED MODULE		
Aperture		
4.5" Square Reflector	LC44	
4.5" Square Reflector - Emergency (Required for "EM" option)	LC44EM	
Trim Type		
Square Trimless	ST	
Square Die-Cast Trimless	SDT	
Lumen Output (Trim & Housing output must match)		
1000 Lumens	1000L	
1500 Lumens	1500L	
2000 Lumens	2000L	
2500 Lumens	2500L	
3000 Lumens	3000L	
Color Temperature		
2700K, 80+ CRI or 90+ CRI	27K or 927K	
3000K, 80+ CRI or 90+ CRI	30K or 930K	
3500K, 80+ CRI or 90+ CRI	35K or 935K	
4000K, 80+ CRI or 90+ CRI	40K or 940K	
Optic		DN
Downlight	DN	
Color		
Clear Diffuse (ST trim type only)	CD	
Warm Diffuse	WD	
Black Die-Cast	BK	
White Die-Cast	WH	
Factory Options		
Wet Listed (Consult factory for 90CRI)	WL	

A complete unit consists of two line items, housing and trim
Example: FLC44D-ST-1500L-120-LD1-T | LC44-SDT-1500L-35K-DN-WH