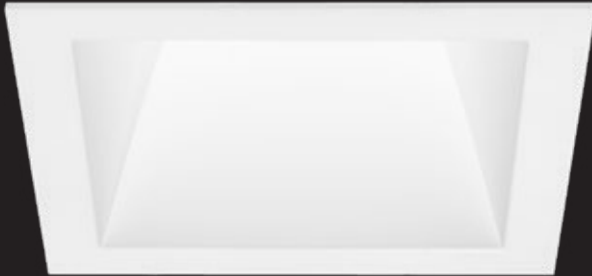


# ID+ 4.5" x 4.5"

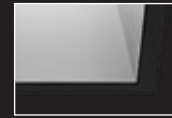
LED DOWNLIGHT



FOCAL POINT®



white flange



black flange



titanium silver flange



clear diffuse



warm diffuse



black die-cast

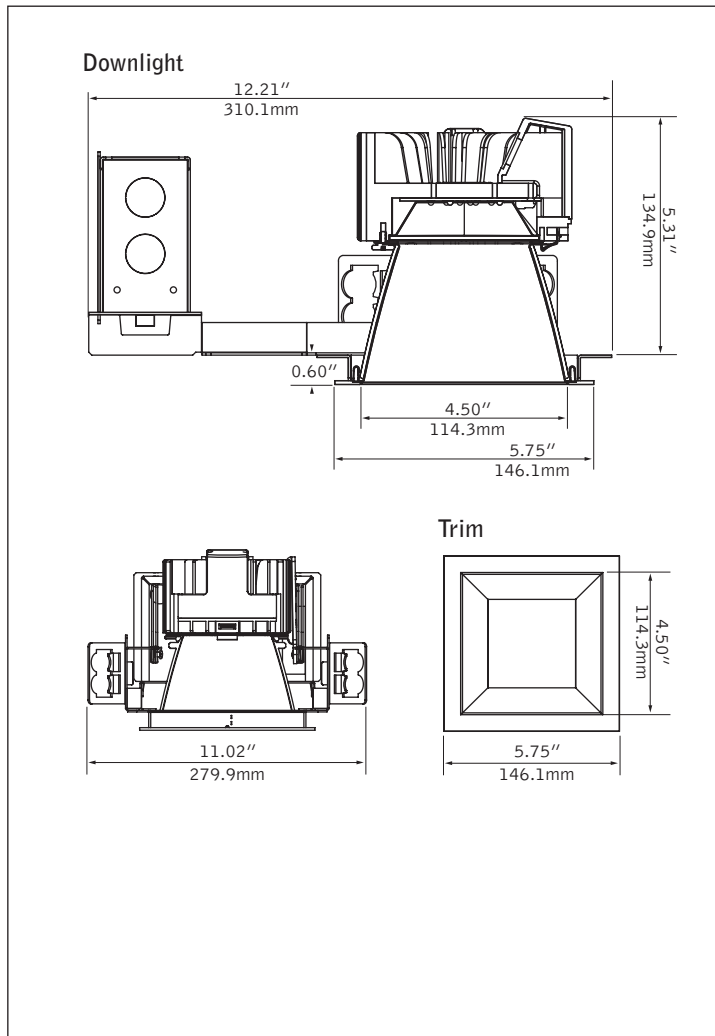


white die-cast



trimless companion

## DIMENSIONAL DATA



## FEATURES

ChromaSure: Color consistency resulting in a 2-step MacAdam ellipse across the entire ID+ product line.

Field adjustability of ceiling thickness from 0.5" - 2.5".

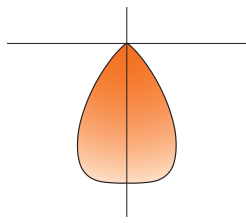
Shallow housing.

50° cutoff to light source and its image.

Selection of dimming drivers available.

Right Light: Standard delivered lumen outputs 1000, 1500, 2000, 2500 and 3000.

## PERFORMANCE



**PRODUCT OVERVIEW**

Lumen Output: 1000-3000lm

Wattage: 12-42W

LPW: 72-87


Spacing Criteria: 1.07- 1.11

SDCM: 2

White Die-Cast  
3500k

**Delivered Lumens: 2000lm**

**Total System Watts: 25W**

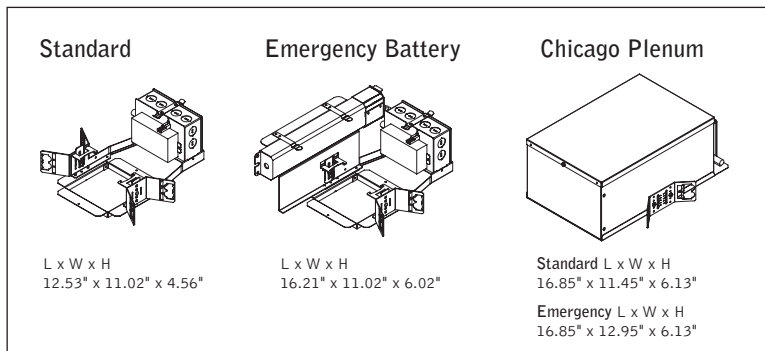


Photometric performance is measured in accordance with IESNA LM-79. Visit focalpointlights.com for complete photometric data. Visit energystar.gov for model specifics.

fixture:

project:

## HOUSING DETAILS



## HOUSING SPECIFICATIONS

### Construction

Thermally protected housing for new construction applications. Insulation to be kept 3" away from housing. Butterfly brackets allow mounting to 1/2" emt. Order bar hangers as an accessory. Die-cast aluminum heat sink designed for maximum thermal dissipation. Die-formed housing and integral junction box with (7) 1/2" pry outs. UL & cUL listed for (6) #14 AWG (3 in, 3 out) 90°C conductors and feed through-branch wiring. Accommodates ceiling thicknesses up to 0.5" standard, field adjustable up to 2.5" thickness. For thicker ceiling consult factory. Order TZB option for TechZone compatible housing brackets. Fixture will not exceed 5 lb.

### Electrical

Choice of constant current dimming drivers. Power factor > .9 typical.

### Emergency

Emergency Battery Pack: Bodine BSL17C-C2. Emergency output —7W for 90 minutes. Maximum mounting height: 23.3ft. (Black reflector color: 18.1ft.)

### Labels

UL and cUL Listed. Suitable for Dry or Damp Locations, indoor use only. Specify wet listed (WL) for recessed ceiling applications in indoor and outdoor locations. Lutron Drivers not recommended for outdoor environments below 0°C.

### Lumen Maintenance

Reported: L70 at >63,000 hours  
Derived from EPA TM-21 calculator. Based on typical conditions, consult factory for additional data.

### Reliability

At Focal Point, our products are designed to stand the test of time. Each luminaire is engineered using superior components, manufactured with the utmost care and rigorously tested. Contact us for reliability data.

### Warranty

LED System rated for operation in ambient environments up to 25°C. 5-year limited warranty.

## TRIM & LED SPECIFICATIONS

### LED System

Proprietary array incorporates premium LEDs on a robust platform. May be specified in 2700K, 3000K, 3500K or 4000K, 80+ CRI or 90+ CRI. Color accuracy within 2 SDCM. Aluminum heat sink provides appropriate thermal management.

### Aesthetics

White and black trims are a single molded die-cast units while clear diffuse and warm diffuse trims are die-formed aluminum reflectors attached to a die-cast with a seamless flange and may be removed for field painting. Torsion springs pull trim right to the ceiling with no visible fasteners within the trim.

### Optics

50-degree cut-off to light source and its image.

## PERFORMANCE CHART

Delivered Lumens	System Watts	LPW
1000	12	87
1500	19	81
2000	25	79
2500	36	72
3000	42	72

Based on 3000/3500K, 80 CRI. White Die-Cast. 90+ CRI lumen multipliers: 2700K: 0.71, 3000/3500K: 0.83, 4000K: 0.89. Black Multiplier: 0.50. Clear Diffuse Multiplier: 0.88. Lumen output may vary +/- 5%. Actual wattage may vary +/- 5%.

Focal Point LLC reserves the right to change specifications for product improvement without notification.

## HOUSING ORDERING

<b>Housing Series</b>	<b>FLC44D</b>
ID+ 4.5" Square Downlight	FLC44D
<b>Trim Type</b>	<b>SO</b>
Square Overlap	SO
<small>(Click to view trimless cutsheet)</small>	
<b>Lumen Output</b>	
1000 Lumens	1000L
1500 Lumens	1500L
2000 Lumens	2000L
2500 Lumens	2500L
3000 Lumens	3000L
<b>Voltage</b>	
120V	120
277V**	277
<b>Control System &amp; Dimming Level</b>	
0-10V - 1% Dimming	L11
0-10V - 10% Dimming	LD1
Lutron Hi-Lume EcoSystem (LDE1) - 1% Dimming	LH1
Lutron 5-Series EcoSystem (LDE5) - 5% Dimming	LU5
<small>(2000L &amp; 2500L only)</small>	
DALI - 1% Dimming	D11
DMX - 3-Channel, 0% Dimming	MZ3
<b>Housing Type</b>	<b>T</b>
Thermally Protected, Non-IC	T
<b>Factory Options</b>	
Bar Hangers	BH
Chicago Plenum / National Plenum	CP
Emergency Battery	EM
<small>(Must order LC44EM trim)</small>	
6" TechZone Brackets	TZB
<b>TRIM &amp; LED MODULE</b>	
<b>Aperture</b>	
4.5" Square Reflector	LC44
4.5" Square Reflector - Emergency	LC44EM
<small>(Required for "EM" option)</small>	
<b>Trim Type</b>	
Square	SQ
Square Die-Cast Overlap	SDO
<b>Lumen Output</b>	
<small>(Trim &amp; Housing output must match)</small>	
1000 Lumens	1000L
1500 Lumens	1500L
2000 Lumens	2000L
2500 Lumens	2500L
3000 Lumens	3000L
<b>Color Temperature</b>	
2700K, 80+ CRI or 90+ CRI	27K or 927K
3000K, 80+ CRI or 90+ CRI	30K or 930K
3500K, 80+ CRI or 90+ CRI	35K or 935K
4000K, 80+ CRI or 90+ CRI	40K or 940K
<b>Optic</b>	<b>DN</b>
Downlight	DN
<b>Color</b>	
Clear Diffuse	CD
<small>(SQ trim only)</small>	
Warm Diffuse	WD
Black	BK
<small>(Black Flange Finish only with SDO trim)</small>	
White	WH
<small>(White Flange Finish only with SDO trim)</small>	
<b>Flange Finish</b>	
Black	BK
White	WH
Titanium Silver	TS
<b>Factory Options</b>	
Wet Listed	WL

A complete unit consists of two line items, housing and trim  
Example: FLC44D-SO-1500L-120-LD1-T | LC44-SDO-1500L-35K-DN-WH



Options in orange qualify for the Quickship program. 5-day up to 100 pieces. Refer to Quickship Guide for complete details.

For more information visit focalpointlights.com/reference or consult factory.  
\*\*1500 and 2000 lumen outputs add 2 watts to system wattage.