

ID+ 4.5" x 4.5"

LED DECORATIVE LENS



FOCAL POINT®



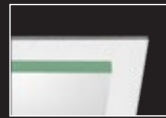
clear



open lens

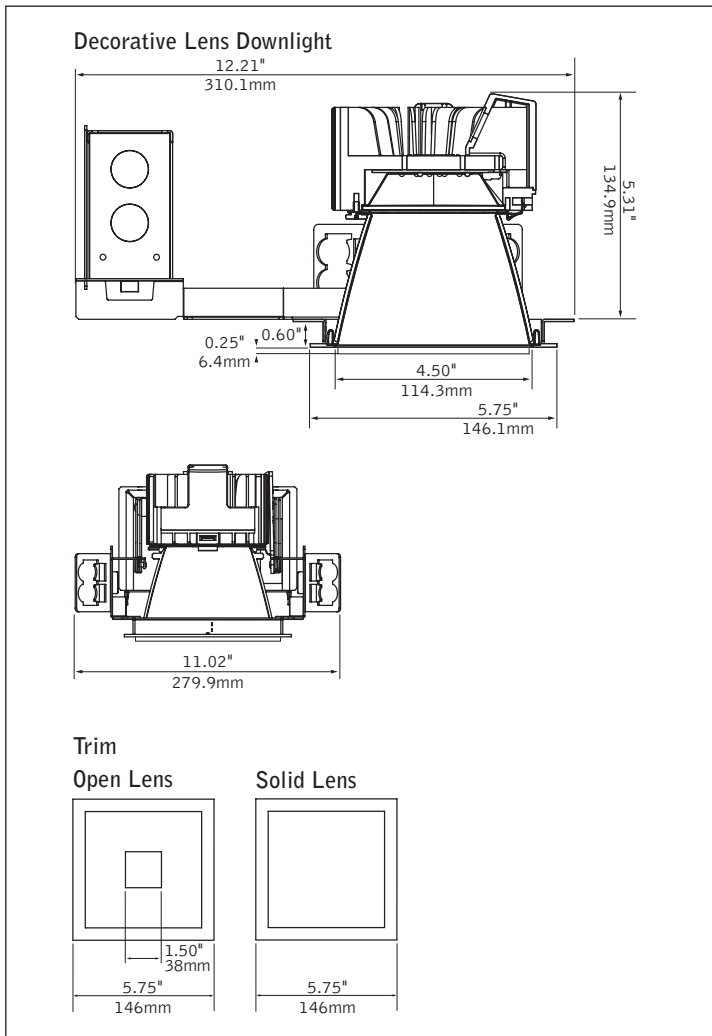


solid lens



green tint

DIMENSIONAL DATA



FEATURES

Solid Frosted Lens provides a soft glow while the Open Frosted Lens with polished edge provides a unique visual aesthetic.

ChromaSure: Color consistency resulting in a 2-step MacAdam ellipse across the entire ID+ product line.

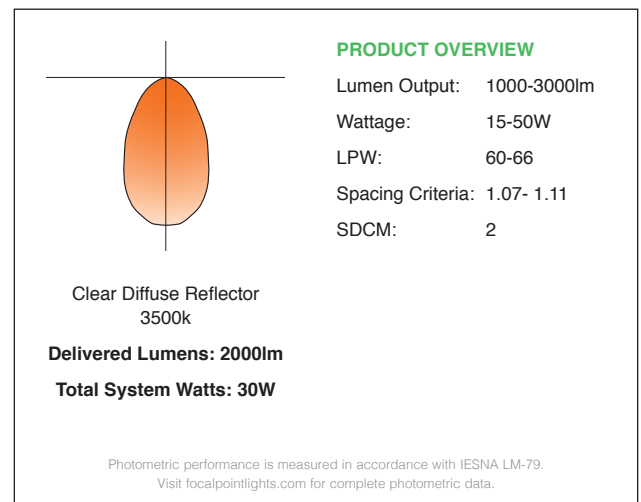
Field adjustability of ceiling thickness from 0.5" - 2.5".

Shallow housing.

Selection of dimming drivers available.

Right Light: Standard delivered lumen outputs 1000, 1500, 2000, 2500, and 3000.

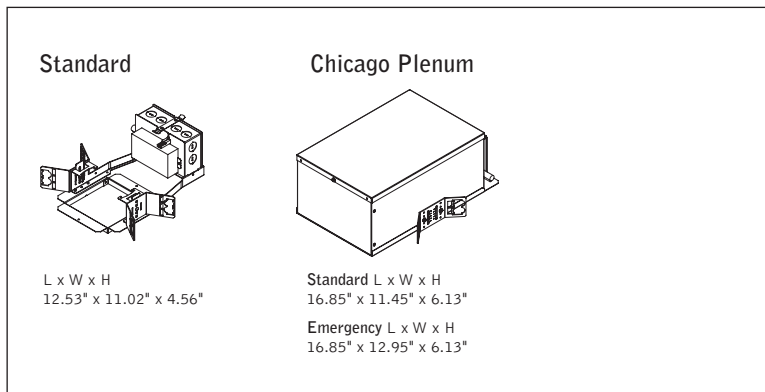
PERFORMANCE



fixture:

project:

HOUSING DETAILS



HOUSING SPECIFICATIONS

Construction

Thermally protected housing for new construction applications. Insulation to be kept 3" away from housing. Butterfly brackets allow mounting to 1/2" emt. Order bar hangers as an accessory. Die-cast aluminum heat sink designed for maximum thermal dissipation. Die-formed housing and integral junction box with (7) 1/2" pry outs. UL & cUL listed for (6) #14 AWG (3 in, 3 out) 90°C conductors and feed through-branch wiring. Accommodates ceiling thicknesses up to 0.5" standard, field adjustable up to 2.5" thickness. For thicker ceiling consult factory. Order TZB option for TechZone compatible housing brackets. Fixture will not exceed 5 lb.

Electrical

Choice of constant current dimming drivers. Power factor > .9 typical.

Labels

UL and cUL Listed. Suitable for Dry or Damp Locations, indoor use only. Specify wet listed (WL) for recessed ceiling applications in indoor and outdoor locations. Lutron Drivers not recommended for outdoor environments below 0°C.

Lumen Maintenance

Reported: L70 at >63,000 hours

Derived from EPA TM-21 calculator. Based on typical conditions, consult factory for additional data.

Reliability

At Focal Point, our products are designed to stand the test of time. Each luminaire is engineered using superior components, manufactured with the utmost care and rigorously tested. Contact us for reliability data.

Warranty

LED System rated for operation in ambient environments up to 25°C. 5-year limited warranty.

TRIM & LED SPECIFICATIONS

LED System

Proprietary array incorporates premium LEDs on a robust platform. May be specified in 2700K, 3000K, 3500K or 4000K, 80+ CRI or 90+ CRI. Color accuracy within 2 SDCM. Aluminum heat sink provides appropriate thermal management.

Aesthetics

Die-formed aluminum reflector reflector fastened to frosted .220" thick acrylic. Available colors include clear or green. Reflector attaches to die-cast, seamless flange and may be removed for field painting. Torsion springs pull trim tight to the ceiling with no visible fasteners within the trim.

PERFORMANCE CHART

Delivered Lumens	System Watts	LPW
1000	15	66
1500	24	62
2000	30	66
2500	38	65
3000	50	60

Based on 3000/3500K, 80 CRI. Clear Diffuse reflector cone. 90 CRI lumen multipliers: 2700K: 0.71, 3000/3500K: 0.83, 4000K: 0.89. Black Multiplier: 0.56. White Multiplier: 1.13. Lumen output may vary +/- 5%. Actual wattage may vary +/- 5%.

HOUSING ORDERING

Housing Series	FLC44D
ID+ 4.5" Square Downlight	FLC44D
Trim Type	
Square Flush	SF
Square Overlap	SO
Lumen Output	
1000 Lumens	1000L
1500 Lumens	1500L
2000 Lumens	2000L
2500 Lumens	2500L
3000 Lumens	3000L
Voltage	
120V	120
277V**	277
Control System & Dimming Level	
0-10V - 1% Dimming	L11
0-10V - 10% Dimming	LD1
Lutron Hi-Lume EcoSystem (LDE1) - 1% Dimming	LH1
Lutron 5-Series EcoSystem (LDE5) - 5% Dimming (2000L & 2500L only)	LU5
DALI - 1% Dimming	D11
DMX - 3-Channel, 0% Dimming	MZ3
Housing Type	T
Thermally Protected, Non-IC	T
Factory Options	
Bar Hangers	BH
Chicago Plenum / National Plenum	CP
6" TechZone Brackets	TZB
TRIM & LED MODULE	
Aperture	LC44
4.5" Square Reflector	LC44
Trim Type	SQ
Square	SQ
Lumen Output	
(Trim & Housing output must match)	
1000 Lumens	1000L
1500 Lumens	1500L
2000 Lumens	2000L
2500 Lumens	2500L
3000 Lumens	3000L
Color Temperature	
2700K, 80+ CRI or 90+ CRI	27K or 927K
3000K, 80+ CRI or 90+ CRI	30K or 930K
3500K, 80+ CRI or 90+ CRI	35K or 935K
4000K, 80+ CRI or 90+ CRI	40K or 940K
Optic	
Solid Lens, Clear	C
Solid Lens, Green Edge Tint	G
Lens with 1.5" Opening, Clear	OC
Lens with 1.5" Opening, Green Edge Tint	OG
Flange Finish	
Black	BK
White	WH
Titanium Silver	TS
Factory Options	
Wet Listed	WL
(Consult factory for 90CRI)	

A complete unit consists of two line items, housing and trim
Example: FLC44D-SQ-1500L-120-LD1-T | LC44-SQ-1500L-35K-G-WH