

ID+ 3.5" Trimless

LED DOWNLIGHT



Solite lens option



clear diffuse



warm diffuse



black painted



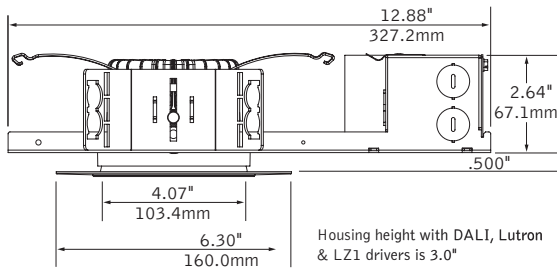
white painted



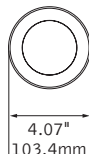
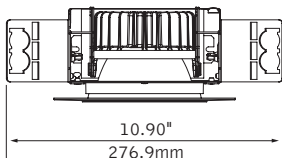
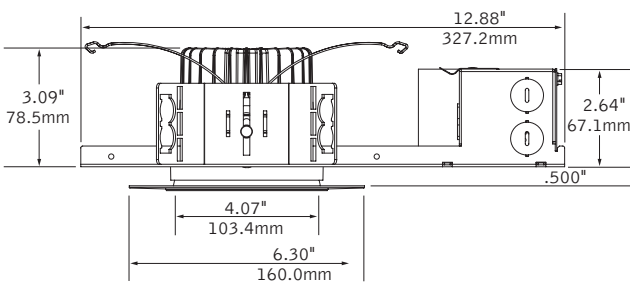
overlap companion

DIMENSIONAL DATA

Very Shallow Housing - 60° and 75° cut-off reflectors



Shallow Housing - 50° cut-off reflector



FEATURES

Less than 2.64" low profile housing available.

ChromaSure: Color consistency resulting in a 2-step MacAdam ellipse across the entire ID+ product line.

Field adjustability of ceiling thickness from 0.5" - 1.5".

50°, 60° and 75° cut-off reflector options available.

Outdoor rating permits use in outdoor covered ceiling applications.

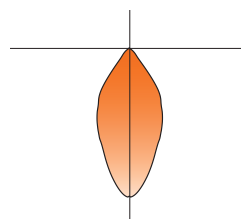
Solite lens with die-cast trim and 70° or 90° beam spread options available.

Solite lens and trim allows for a coordinated aesthetic with companion ID+ 3.5" Adjustable Accent.

PERFORMANCE

PRODUCT OVERVIEW

| | |
|---------------|------------|
| Lumen Output: | 700-1500lm |
| Wattage: | 9-20W |
| LPW: | 79-92 |
| SDCM: | 2 |



Short 60° Cut-off, Narrow Flood, Clear Diffuse, 3500K

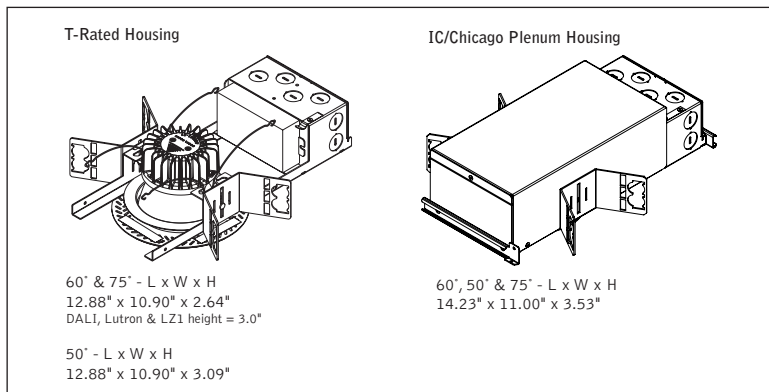
Lumen Output: 1500lm

Total System Watts: 20W



Photometric performance is measured in accordance with IESNA LM-79. Visit focalpointlights.com for complete photometric data. Visit energystar.gov for model specifics.

HOUSING DETAILS



HOUSING SPECIFICATIONS

Construction

Thermally protected housing for new construction applications. Insulation to be kept 3" away from housing. Type IC inherently protected, suitable for direct contact with insulation. Restrictive airflow per ASTM-E283. Butterfly brackets allow mounting to 1/2" emt. Order bar hangers as an accessory. Die-cast aluminum heat sink designed for maximum thermal dissipation. Die-formed housing and integral junction box with (7) 1/2" pry outs. Accommodates ceiling thicknesses up to 0.5" standard, field adjustable up to 1.5" thickness. For thicker ceiling consult factory. Fixture will not exceed 5 lb.

Electrical

Choice of constant current dimming drivers. Power factor > .9 typical. For Emergency Battery option see [overlap companion](#).

Labels

UL and cUL Listed. Suitable for Dry, Damp or Wet Locations, indoor use only. Specify Outdoor rated (OD) for outdoor recessed ceiling applications.

Lumen Maintenance

Reported: L70 at >55,000 hours Calculated: L70 at 420,000 hours
 L90 at >55,000 hours L90 at 109,000 hours
 Derived from EPA TM-21 calculator. Based on typical conditions, consult factory for additional data.

Reliability

At Focal Point, our products are designed to stand the test of time. Each luminaire is engineered using superior components, manufactured with the utmost care and rigorously tested. Contact us for reliability data.

Warranty

LED System rated for operation in ambient environments up to 25°C. 5-year limited warranty. Fixture with Outdoor rated option must be installed in a covered ceiling and is warranted for operation in ambient environments between -20°C to +40°C.

TRIM & LED SPECIFICATIONS

LED System

Proprietary array incorporates premium LEDs on a robust platform. May be specified in 2700K, 3000K, 3500K or 4000K, CRI>80 or >90. Color accuracy within 2 SDCM. Aluminum heat sink provides appropriate thermal management.

Aesthetics

Parabolic reflector cone ensures glare free optics. DNT & DNS reflector is .050 spun aluminum. DSS reflector is die-cast aluminum.

Optics

50-degree, 60-degree or 75-degree cut-off to light source and its image.

| Ordering Code | Cut-Off Degree | Distribution Beam Spread Spacing Criteria | | | | | Housing Depth |
|---------------|----------------|---|------------|------------|------------|------------|---------------|
| | | NFL | FL | WFL | VWFL | SWFL | |
| DNT | 50° | 18° 0.31 | 32° 0.51 | 43° 0.66 | - | - | 3.16" |
| DNS | 60° | 29° 0.47 | 46° 0.67 | 51° 0.73 | - | - | 2.64" |
| DSS | 75° | - | - | - | 69° 1.11 | 94° 1.17 | 2.64" |

PERFORMANCE TABLE - see page 3.

HOUSING ORDERING

| Housing Series | FLC3D |
|--|--------------|
| ID+ 3.5" Round | FLC3D |
| Trim Type | RT |
| Round Trimless | RT |
| Lumen Output | |
| 700 Lumen | 700L |
| 900 Lumen | 900L |
| 1100 Lumen | 1100L |
| 1300 Lumen | 1300L |
| 1500 Lumen | 1500L |
| Voltage | |
| 120V | 120 |
| 277V | 277 |
| Control System & Dimming Level | |
| 0-10V - 0% Dimming | LZ1 |
| 0-10V - 1% Dimming | L11 |
| 0-10V - 10% Dimming | LD1 |
| Forward Phase | LFP |
| (120V only, 900 & 1300 Lumens only.) | |
| Lutron Hi-Lume EcoSystem (LDE1) - 1% Dimming | LH1 |
| (700 & 1500 lumens not available.) | |
| Lutron 5-Series EcoSystem (LDE5) - 5% Dimming | LU5 |
| (1300 Lumens only) | |
| Lutron Hi-Lume - Forward Phase - 1% Dimming | LTE |
| (120V only, 1500 lumens not available.) | |
| DALI - 0% Dimming | DZ1 |
| DALI - 1% Dimming | D11 |
| Housing Type | |
| IC Rated / Airtight | IC |
| (Available options: L11 & LD1: 700, 900 & 1100 Lumens. LFP: 900 & 1300 Lumens.) | |
| Thermally Protected, Non-IC | T |
| Thermally Protected, Non-IC Wood (Wood ceiling installation kit required) | TW |
| (T & TW Housing height = 3.0" for LZ1, LH1, LTE, LUS, D11 & DZ1) | |
| Factory Options | |
| Bar Hangers | BH |
| Chicago Plenum | CP |
| Outdoor Rated | OD |
| (LD1 driver and T-rated housing only. Not available with CP. See dimming performance table on page 3.) | |
| TRIM & LED MODULE | |
| Aperture | LC3 |
| 3.5" Round Reflector | LC3 |
| Trim Type | |
| Round Trimless | RT |
| Round Die-Cast Trimless | RDT |
| Lumen Output | |
| (Trim & housing output must match) | |
| 700 Lumen | 700L |
| 900 Lumen | 900L |
| 1100 Lumen | 1100L |
| 1300 Lumen | 1300L |
| 1500 Lumen | 1500L |
| Color Temperature | |
| 2700K, 80+ CRI or 90+ CRI | 27K or 927K |
| 3000K, 80+ CRI or 90+ CRI | 30K or 930K |
| 3500K, 80+ CRI or 90+ CRI | 35K or 935K |
| 4000K, 80+ CRI or 90+ CRI | 40K or 940K |
| Optic | |
| Tall Cone with 50° cut-off | DNT |
| Short Cone with 60° cut-off | DNS |
| Super Short Cone with Solite Lens 75° cut-off | DSS |
| (Die-cast trim, RDT, with VWFL or SWFL only) | |
| Distribution | |
| Narrow Flood | NFL |
| Flood | FL |
| Wide Flood | WFL |
| Very Wide Flood | VWFL |
| (Die-cast trim, RDT, with DSS Optic only) | |
| Super Wide Flood | SWFL |
| (Die-cast trim, RDT, with DSS Optic only) | |
| Color | |
| Clear Diffuse | CD |
| Warm Diffuse | WD |
| Black | BK |
| White | WH |
| ACCESSORIES | |
| Wood Ceiling Installation Kit | LC3-WOOD-KIT |
| (One kit recommended per 10 downlights) | |



ROUND DOWNLIGHT PERFORMANCE TABLE

| Lumen Output | Delivered Lumens | System Watts | LPW |
|--------------|------------------|--------------|-----|
| 700L | 791 | 9 | 92 |
| 900L | 964 | 11 | 90 |
| 1100L | 1196 | 15 | 79 |
| 1300L | 1392 | 18 | 79 |
| 1500L | 1587 | 20 | 79 |

Based on Trimless, Short Cone, 3500K, 80CRI, Wide Flood, Clear Diffuse.
Delivered lumen output may vary +/- 5%. Actual wattage may vary +/- 5%

OUTDOOR RATED (OD) DRIVER DIMMING PERFORMANCE TABLE

| Lumen Output | Minimum Dimming Level |
|--------------|-----------------------|
| 700L | 37% |
| 900L | 29% |
| 1100L | 23% |
| 1300L | 19% |
| 1500L | 17% |

ROUND DOWNLIGHT LUMEN MULTIPLIER TABLE

Color Temperature & CRI

| Trim Type | Optic | Color Temperature | Multiplier |
|-----------|-------|-----------------------|------------|
| ALL | ALL | 2700K, 80+ CRI [27K] | 0.93 |
| | | 2700K, 90+ CRI [927K] | 0.75 |
| | | 3000K, 80+ CRI [30K] | 0.93 |
| | | 3000K, 90+ CRI [930K] | 0.81 |
| | | 3500K, 80+ CRI [35K] | 1.00 |
| | | 3500K, 90+ CRI [935K] | 0.81 |
| | | 4000K, 80+ CRI [40K] | 1.00 |
| | | 4000K, 90+ CRI [940K] | 0.87 |

Distribution

| Trim Type | Optic | Distribution | Multiplier |
|-------------------------------|--|-------------------------|------------|
| Round Trimless [RT] | Tall Cone with 50° cut-off [DNT] | Narrow Flood [NFL] | 0.99 |
| | | Flood [FL] | 1.01 |
| | | Wide Flood [WFL] | 0.98 |
| | Short Cone with 60° cut-off [DNS] | Narrow Flood [NFL] | 1.02 |
| | | Flood [FL] | 1.05 |
| | | Wide Flood [WFL] | 1.06 |
| Round Overlap [RO] | Tall Cone with 50° cut-off [DNT] | Narrow Flood [NFL] | 0.96 |
| | | Flood [FL] | 0.90 |
| | | Wide Flood [WFL] | 0.96 |
| | Short Cone with 60° cut-off [DNS] | Narrow Flood [NFL] | 1.02 |
| | | Flood [FL] | 1.01 |
| | | Wide Flood [WFL] | 0.95 |
| Round Die-Cast Trimless [RDT] | Super Short Cone with Solite Lens 75° cut-off [DSS] | Very Wide Flood [VWFL] | 0.92 |
| | | Super Wide Flood [SWFL] | 0.85 |
| Round Die-Cast Overlap [RDO] | Super Short Cone with Solite Lens 75° cut-off [DSS] | Very Wide Flood [VWFL] | 0.84 |
| | | Super Wide Flood [SWFL] | 0.79 |

Color

| Trim Type | Optic | Color | Multiplier |
|--|--|--------------------|------------|
| Round Trimless [RT] and Round Overlap [RO] | Tall Cone with 50° cut-off [DNT] and Short Cone with 60° cut-off [DNS] | Clear Diffuse [CD] | 1.00 |
| | | Warm Diffuse [WD] | 1.03 |
| | | White [WH] | 1.16 |
| | | Black [BK] | 0.79 |
| Round Die-Cast Trimless [RDT] and Round Die-Cast Overlap [RDO] | Super Short Cone with Solite Lens 75° cut-off [DSS] | Clear Diffuse [CD] | 1.00 |
| | | Warm Diffuse [WD] | 0.97 |
| | | White [WH] | 1.15 |
| | | Black [BK] | 0.86 |

Multiplier tables are provided to aid with estimation of lumen levels across options. Apply multipliers against ordered Lumen Output to estimate Delivered Lumens. Refer to IES files for most accurate photometric information.

How To Use Lumen Multipliers

Formula: (Lumen Output Value) x (Color Temperature & CRI) x (Distribution) x (Color)

Example: LC3-RT-1100L-935K-DNS-FL-WH

(1100) x (0.81) x (1.05) x (1.16) ≈ 1085 lm (estimated delivered lumens)