

ID+ 3.5"

LED DOWNLIGHT



Solite lens option



clear diffuse



warm diffuse



white painted flange



black painted



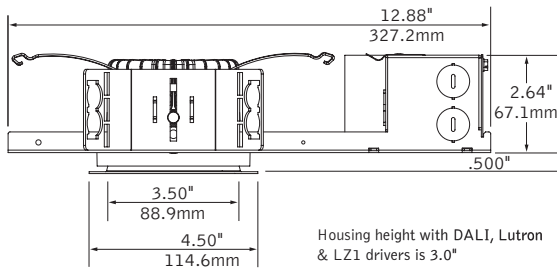
white painted



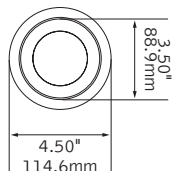
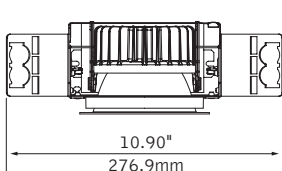
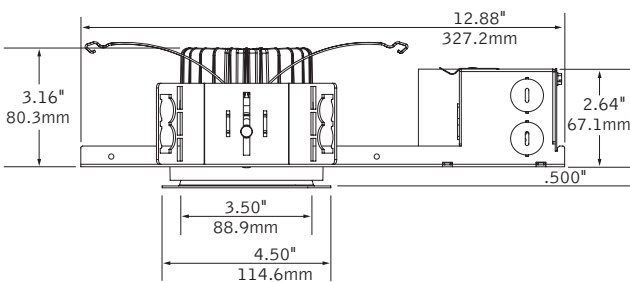
trimless companion

DIMENSIONAL DATA

Very Shallow Housing - 60° and 75° cut-off reflectors



Shallow Housing - 50° cut-off reflector



FEATURES

Less than 2.64" low profile housing available.

ChromaSure: Color consistency resulting in a 2-step MacAdam ellipse across the entire ID+ product line.

Field adjustability of ceiling thickness from 0.5" - 1.5".

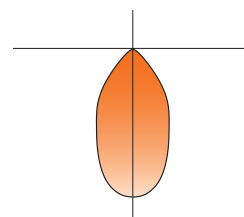
50°, 60° and 75° cut-off reflector options available.

Outdoor rating permits use in outdoor covered ceiling applications.

Solite lens with die-cast trim and 70° or 90° beam spread options available.

Solite lens and trim allows for a coordinated aesthetic with companion ID+ 3.5" Adjustable Accent.

PERFORMANCE



PRODUCT OVERVIEW

Lumen Output:	700-1500lm
Wattage:	9-20W
LPW:	79-92
SDCM:	2

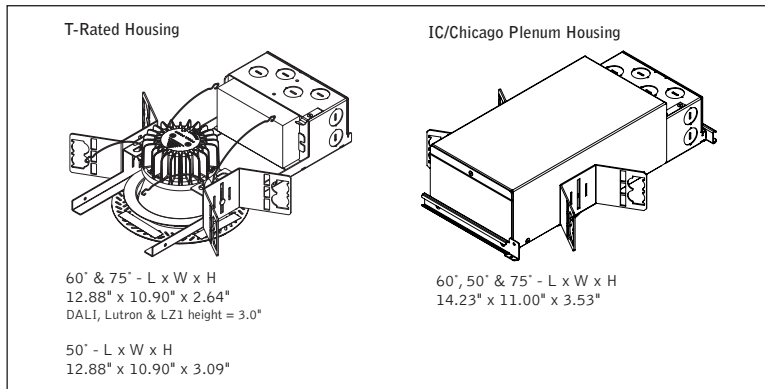
Short 60° Cut-off, Narrow Flood, Clear Diffuse, 3500K

Lumen Output: 1500lm
Total System Watts: 20W



Photometric performance is measured in accordance with IESNA LM-79. Visit focalpointlights.com for complete photometric data. Visit energystar.gov for model specifics.

HOUSING DETAILS



HOUSING SPECIFICATIONS

Construction

Thermally protected housing for new construction applications. Insulation to be kept 3" away from housing. Type IC inherently protected, suitable for direct contact with insulation. Restrictive airflow per ASTM-E283. Butterfly brackets allow mounting to 1/2" emt. Order bar hangers as an accessory. Die-cast aluminum heat sink designed for maximum thermal dissipation. Die-formed housing and integral junction box with (7) 1/2" pry outs. Accommodates ceiling thicknesses up to 0.5" standard, field adjustable up to 1.5" thickness. For thicker ceiling consult factory. Fixture will not exceed 5 lb.

Electrical

Choice of constant current dimming drivers. Power factor > .9 typical.

Emergency

Emergency Battery Pack: Bodine BSL17C-C2. Emergency output —7W for 90 minutes. Maximum mounting height — DNT & DNS optic: 21.4ft. DSS optic: 15.3ft.

Labels

UL and cUL Listed. Suitable for Dry, Damp or Wet Locations, indoor use only. Specify Outdoor rated (OD) for outdoor recessed ceiling applications.

Lumen Maintenance

Reported: L70 at >55,000 hours Calculated: L70 at 420,000 hours
 L90 at >55,000 hours L90 at 109,000 hours
 Derived from EPA TM-21 calculator. Based on typical conditions, consult factory for additional data.

Reliability

At Focal Point, our products are designed to stand the test of time. Each luminaire is engineered using superior components, manufactured with the utmost care and rigorously tested. Contact us for reliability data.

Warranty

LED System rated for operation in ambient environments up to 25°C. 5-year limited warranty. Fixture with Outdoor rated option must be installed in a covered ceiling and is warranted for operation in ambient environments between -20°C to +40°C.

TRIM & LED SPECIFICATIONS

LED System

Proprietary array incorporates premium LEDs on a robust platform. May be specified in 2700K, 3000K, 3500K or 4000K, CRI>80 or >90. Color accuracy within 2 SDCM. Aluminum heat sink provides appropriate thermal management.

Aesthetics

Parabolic reflector cone ensures glare free optics. DNT & DNS reflector is .050 spun aluminum. DSS reflector is die-cast aluminum. Trims are self-flanged. Non-painted trim matches reflector finish. Painted flange may also be specified.

Optics

50-degree, 60-degree or 75-degree cut-off to light source and its image.

Ordering Code	Cut-Off Degree	Distribution Beam Spread Spacing Criteria					Housing Depth
		NFL	FL	WFL	VWFL	SWFL	
DNT	50°	26° 0.43	44° 0.67	59° 0.91	-	-	3.16"
DNS	60°	24° 0.39	44° 0.67	56° 0.81	-	-	2.64"
DSS	75°	-	-	-	70° 0.91	94° 1.22	2.64"

PERFORMANCE TABLE - see page 3.

HOUSING ORDERING

Housing Series	ID+ 3.5" Round	FLC3D	FLC3D
Trim Type	Round Overlap	RO	RO
Lumen Output	700 Lumen	700L	
	900 Lumen	900L	
	1100 Lumen	1100L	
	1300 Lumen	1300L	
	1500 Lumen	1500L	
Voltage	120V	120	
	277V	277	
Control System & Dimming Level	0-10V - 0% Dimming	LZ1	
	0-10V - 1% Dimming	L11	
	0-10V - 10% Dimming	LD1	
	Forward Phase	LFP	
	<small>(120V only, 900 & 1300 Lumens only.)</small>		
Lutron Hi-Lume EcoSystem (LDE1) - 1% Dimming		LH1	
	<small>(700 & 1500 lumens not available.)</small>		
Lutron 5-Series EcoSystem (LDE5) - 5% Dimming		LU5	
	<small>(1300 Lumens only)</small>		
Lutron Hi-Lume - Forward Phase - 1% Dimming		LTE	
	<small>(120V only, 1500 lumens not available.)</small>		
DALI - 0% Dimming		DZ1	
DALI - 1% Dimming		D11	
Housing Type	IC Rated / Airtight	IC	
	<small>(Available options: L11 & LD1: 700, 900 & 1100 Lumens. LFP: 900 & 1300 Lumens.)</small>		
Thermally Protected, Non-IC		T	
	<small>(Housing height = 3.0" for LZ1, L3D, LH1, LTE, LU5, D11 & DZ1)</small>		
Factory Options	Bar Hangers	BH	
	Chicago Plenum	CP	
Emergency Battery -Remote test switch		EMR	
	<small>(Not available with CP or IC. Above Ceiling Access.)</small>		
Outdoor Rated		OD	
	<small>(LD1 driver and T-rated housing only. Not available with CP or EMR. See dimming performance table on page 3.)</small>		
TRIM & LED MODULE			LC3
Aperture	3.5" Round Reflector	LC3	
Trim Type	Round Overlap	RO	
Round Die-Cast Overlap		RDO	
	<small>(DSS, VWFL & SWFL options only)</small>		
Lumen Output	700 Lumen	700L	
	900 Lumen	900L	
	1100 Lumen	1100L	
	1300 Lumen	1300L	
	1500 Lumen	1500L	
Color Temperature	2700K, 80+ CRI or 90+ CRI	27K or 927K	
	3000K, 80+ CRI or 90+ CRI	30K or 930K	
	3500K, 80+ CRI or 90+ CRI	35K or 935K	
	4000K, 80+ CRI or 90+ CRI	40K or 940K	
Optic	Tall Cone with 50° cut-off	DNT	
	Short Cone with 60° cut-off	DNS	
Super Short Cone with Solite Lens 75° cut-off		DSS	
	<small>(Die-cast trim, RDO, with VWFL or SWFL only)</small>		
Distribution	Narrow Flood	NFL	
	Flood	FL	
	Wide Flood	WFL	
Very Wide Flood		VWFL	
	<small>(Die-cast trim, RDO, with DSS Optic only)</small>		
Super Wide Flood		SWFL	
	<small>(Die-cast trim, RDO, with DSS Optic only)</small>		
Color	Clear Diffuse	CD	
	Warm Diffuse	WD	
	Black	BK	
	<small>(Black painted flange only)</small>		
	White	WH	
	<small>(White painted flange only)</small>		
Flange Finish	Non-Painted	NP	
	<small>(Clear and warm diffuse only)</small>		
	Black Painted	BP	
	White Painted	WP	

ROUND DOWNLIGHT PERFORMANCE TABLE

Lumen Output	Delivered Lumens	System Watts	LPW
700L	791	9	92
900L	964	11	90
1100L	1196	15	79
1300L	1392	18	79
1500L	1587	20	79

Based on Trimless, Short Cone, 3500K, 80CRI, Wide Flood, Clear Diffuse.
Delivered lumen output may vary +/- 5%. Actual wattage may vary +/- 5%

OUTDOOR RATED (OD) DRIVER DIMMING PERFORMANCE TABLE

Lumen Output	Minimum Dimming Level
700L	37%
900L	29%
1100L	23%
1300L	19%
1500L	17%

ROUND DOWNLIGHT LUMEN MULTIPLIER TABLE

Color Temperature & CRI

Trim Type	Optic	Color Temperature	Multiplier
ALL	ALL	2700K, 80+ CRI [27K]	0.93
		2700K, 90+ CRI [927K]	0.75
		3000K, 80+ CRI [30K]	0.93
		3000K, 90+ CRI [930K]	0.81
		3500K, 80+ CRI [35K]	1.00
		3500K, 90+ CRI [935K]	0.81
		4000K, 80+ CRI [40K]	1.00
		4000K, 90+ CRI [940K]	0.87

Distribution

Trim Type	Optic	Distribution	Multiplier
Round Trimless [RT]	Tall Cone with 50° cut-off [DNT]	Narrow Flood [NFL]	0.99
		Flood [FL]	1.01
		Wide Flood [WFL]	0.98
	Short Cone with 60° cut-off [DNS]	Narrow Flood [NFL]	1.02
		Flood [FL]	1.05
		Wide Flood [WFL]	1.06
Round Overlap [RO]	Tall Cone with 50° cut-off [DNT]	Narrow Flood [NFL]	0.96
		Flood [FL]	0.90
		Wide Flood [WFL]	0.96
	Short Cone with 60° cut-off [DNS]	Narrow Flood [NFL]	1.02
		Flood [FL]	1.01
		Wide Flood [WFL]	0.95
Round Die-Cast Trimless [RDT]	Super Short Cone with Solite Lens 75° cut-off [DSS]	Very Wide Flood [VWFL]	0.92
		Super Wide Flood [SWFL]	0.85
Round Die-Cast Overlap [RDO]	Super Short Cone with Solite Lens 75° cut-off [DSS]	Very Wide Flood [VWFL]	0.84
		Super Wide Flood [SWFL]	0.79

Color

Trim Type	Optic	Color	Multiplier
Round Trimless [RT] and Round Overlap [RO]	Tall Cone with 50° cut-off [DNT] and Short Cone with 60° cut-off [DNS]	Clear Diffuse [CD]	1.00
		Warm Diffuse [WD]	1.03
		White [WH]	1.16
		Black [BK]	0.79
Round Die-Cast Trimless [RDT] and Round Die-Cast Overlap [RDO]	Super Short Cone with Solite Lens 75° cut-off [DSS]	Clear Diffuse [CD]	1.00
		Warm Diffuse [WD]	0.97
		White [WH]	1.15
		Black [BK]	0.86

Multiplier tables are provided to aid with estimation of lumen levels across options. Apply multipliers against ordered Lumen Output to estimate Delivered Lumens. Refer to IES files for most accurate photometric information.

How To Use Lumen Multipliers

Formula: (Lumen Output Value) x (Color Temperature & CRI) x (Distribution) x (Color)

Example: LC3-RO-1100L-935K-DNS-FL-WH

(1100) x (0.81) x (1.05) x (1.01) ≈ 945 lm (estimated delivered lumens)