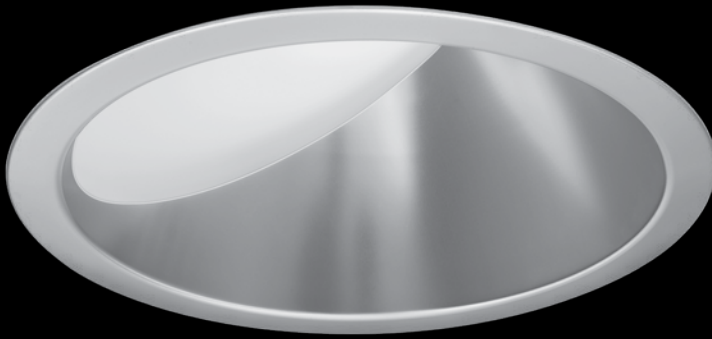


ID+ 6"

LED HIGH CEILING WALL WASH



FOCAL POINT®



non-painted trim

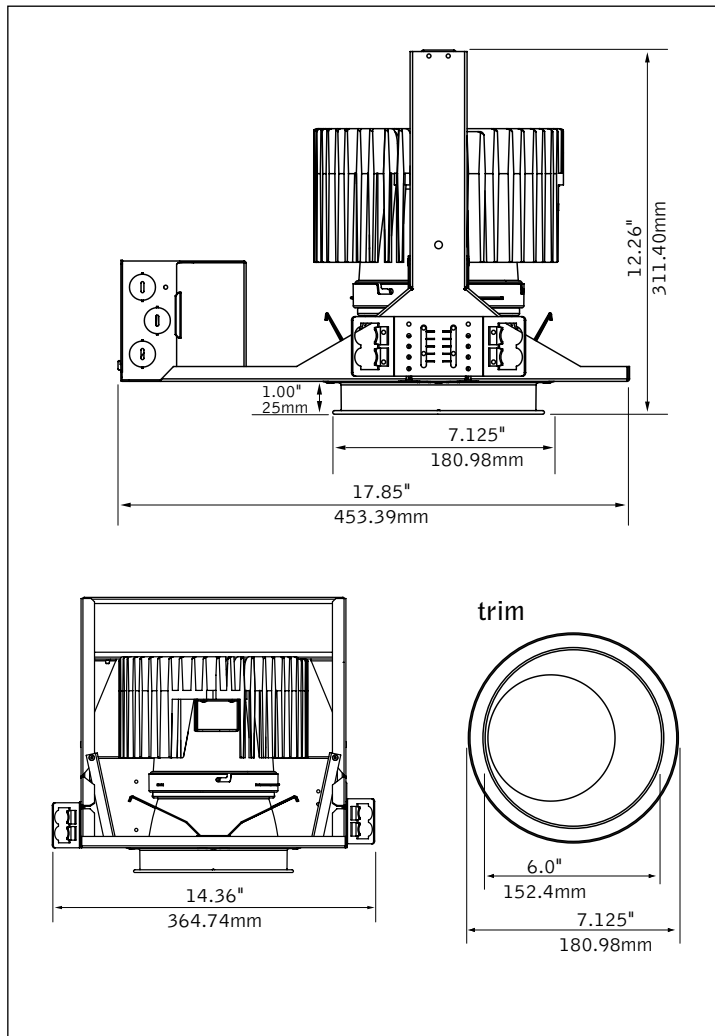


white painted trim



downlight companion

DIMENSIONAL DATA



FEATURES

High ceiling wall wash is ideal for lobbies, atriums and convention centers.

Optical design creates homogenous light source appearance.

Selection of dimming drivers available.

Passive cooling allows silent operation.

Self-flanged Clear Diffuse reflector cone features superior brightness control and 50-degree cutoff to light source and its image.

PERFORMANCE

30° Wall Wash
3500k

Delivered Lumens: 3000lm
Total System Watts: 78.5W

PRODUCT OVERVIEW

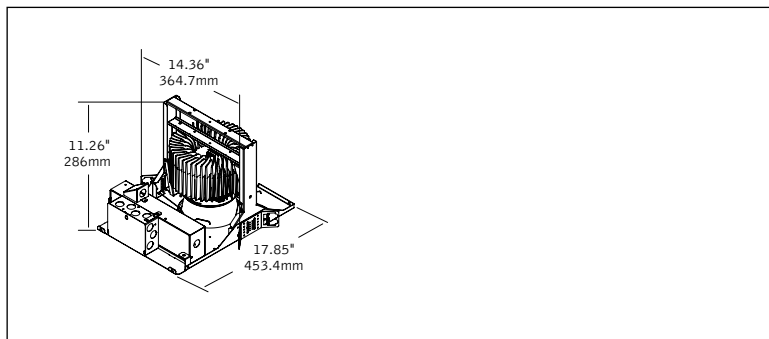
Lumen Output: 2000-3000lm
Wattage: 43-79W
LPW: 38-47
SDCM: 3
Lumen Maintenance: L70 @ 100,000hrs

Photometric performance is measured in accordance with IESNA LM-79. Visit focalpointlights.com for complete photometric data.

fixture:

project:

HOUSING DETAIL



HOUSING SPECIFICATIONS

LED System

Proprietary array incorporates premium LEDs on a robust platform. Aluminum heat sink provides appropriate thermal management.

LED Module

Module may be specified in 3000K, 3500K or 4000K, CRI>80. Color accuracy within 2 SDCM. Cree LED features EasyWhite technology for maximum efficacy, color consistency and optical control.

Construction

Thermally protected housing for new construction applications. Insulation to be kept 3" away from housing. Butterfly brackets allow mounting to 1/2 emt. Die-cast aluminum heat sink designed for maximum thermal dissipation. Die-formed housing and integral junction box with (7) 1/2" pry outs. Accommodates ceiling thicknesses up to 1" standard, field adjustable up to 3" thickness. For thicker ceiling consult factory. 18" O.C. fixture to wall and 36" O.C. fixture to fixture spacing required. Unit weight: 16.3 lbs.

Electrical

Choice of constant current dimming drivers. Power factor > .9 typical.

Emergency Battery

Bodine BSL17-C2. Emergency output—7W for 90 minutes for all available models.

Labels

UL and cUL listed. Suitable for Dry or Damp Locations, indoor use only.

Lumen Maintenance

Calculated: L70 at 100,000 hours Reported: L70 at >37,000 hours
 Derived from EPA TM-21 calculator

Warranty

LED System rated for operation in ambient environments up to 45°C. 5-year limited warranty.

TRIM SPECIFICATIONS

Aesthetics

Parabolic reflector cone ensures glare free optics. Reflector is .050 spun aluminum. Torsion springs pull trim tight to the ceiling with no visible fasteners within the trim. Trims are self-flanged. Non-painted trim matches reflector finish. White painted flange may also be specified.

Optics

50-degree cut-off to light source and its image.

PERFORMANCE CHART

Optic	Delivered Lumens	System Watts	LPW
Wall Wash	2000 Lumens	43	47
	3000 Lumens	79	38

*Tested with 3500K. Clear Diffuse Reflector. Lumen output may vary +/- 5%. Actual wattage may vary +/- 5%

HOUSING ORDERING

Housing Series	ID+ 6" Round	FL6H
Trim Type	Round Overlap	RO
Lumen Output	2000 Lumens	2000L
	3000 Lumens	3000L
Color Temperature	3000K	30K
	3500K	35K
	4000K	40K
Distribution	Wall Wash	WW
Voltage	120V	120
	277V	277
Driver	0-10V - 1% Dimming	L11
	0-10V - 0% Dimming	LZ1
	DALI - 1% Dimming	D11
	DMX/RDM - 1% Dimming	X11
	Lutron A-Series - 1% EcoSystem Digital	L3D
	<small>((2) drivers supplied (2) EcoSystem addresses consumed) (Consult factory for 3-wire control)</small>	
Housing Type	Thermally Protected, Non-IC	T
Factory Options	Chicago Plenum	CP
	Emergency Battery Pack with Remote Test Switch	EMR
	<small>(Above ceiling access only)</small>	
Aperture	6" Round Reflector	L6H
Trim Type	Round	RD
Optic	Wall Wash	WW
Color	Clear Diffuse	CD
Flange Finish	Non-Painted	NP
	White Painted	WP

A complete unit consists of two line items, housing and trim
 Example: FL6H-RO-3000L-30K-WW-120-L11-T | L6H-RD-WW-CD-NP

ID+ 6"

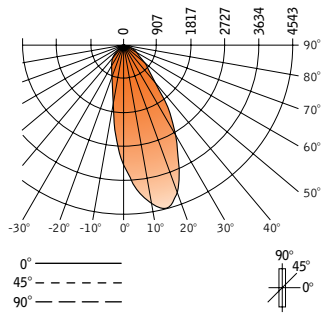
LED HIGH CEILING - WALL WASH

FL6H-RO-3000L-30K-WW-120-L11-T/L6H-RD-WW-CD-NP

Filename: FL6HRO3000L30WW.IES
Test #: 18528.1

Lumens: 2971lm
System Watts: 74W
LPW: 40

CANDLEPOWER DISTRIBUTION

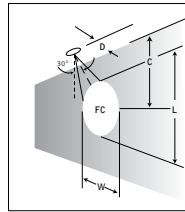


Vertical Angle	Horizontal Angle				
	0°	45°	90°	135°	180°
0°	3234	3234	3234	3234	3234
5°	3852	3765	3213	2675	2396
15°		3753	2322	1446	1187
25°	3507	2550	1165	751	764
35°	2013	1280	567	526	534
45°	825	566	323	257	249
55°	406	291	171	63	22
65°	214	132	58	0	0
75°	65	38	2	0	0
85°	2	0	0	0	0
90°	0	0	0	0	0

LUMEN SUMMARY

Zone	Lumens	% Fixture
0-30°	1778	59.8
0-40°	2355	79.3
0-60°	2868	96.5
0-90°	2971	100.0
Total Luminaire 0-90°	2971	100.0

FOOTCANDLE VALUES



30° aiming angle - vertical surface

D	C	FC	L	W
18"	2.2'	157	3.1'	2.0'
24"	2.8'	91	4.1'	2.6'
30"	3.7'	59	5.1'	3.2'
36"	4.3'	41	6.1'	3.8'

Footcandle results based on AGI32; Reflectances=0/0/0; LLF=1

Go to www.focalpointlights.com for additional photometric data.