

ID+ 6"

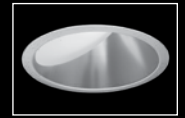
LED HIGH CEILING DOWNLIGHT



non-painted trim

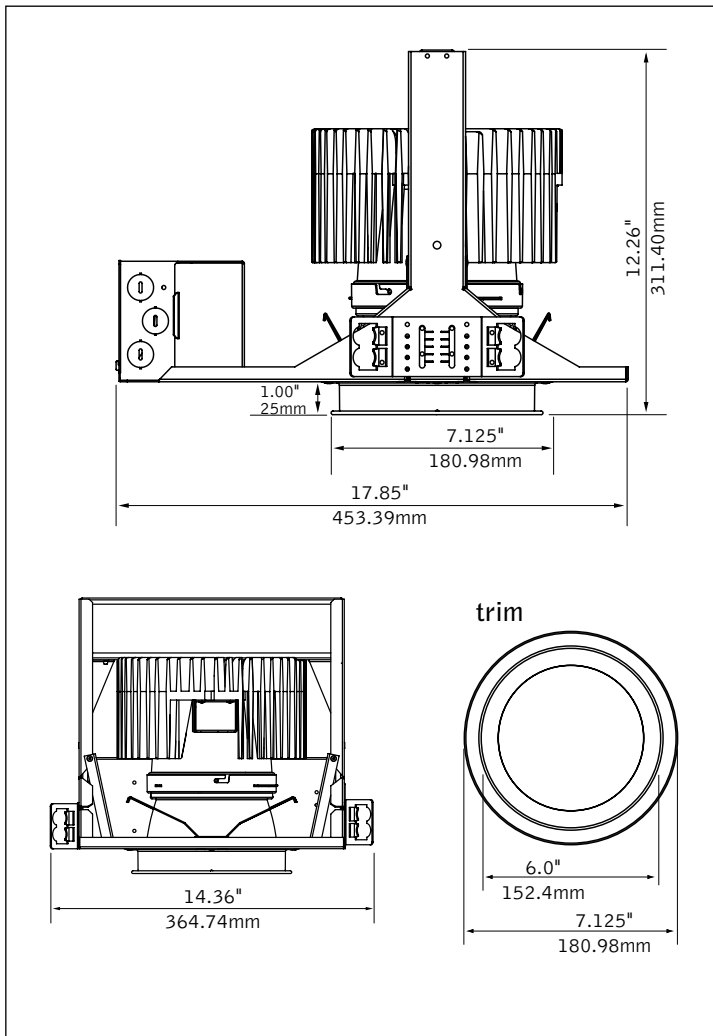


white painted trim



wall wash companion

DIMENSIONAL DATA



FEATURES

High ceiling downlight with a choice of beamspreads is ideal for lobbies, atriums and convention centers.

Optical design creates homogenous light source appearance. Field changeable 35°, 45°, 55° and 65° beams offer design flexibility.

Selection of dimming drivers available.

Passive cooling allows silent operation.

Self-flanged Clear Diffuse reflector cone features superior brightness control and 50-degree cutoff to light source and its image.

Sloped ceiling adaptor available in 10°, 15°, 20°, 25°, 30° and 35° slopes.

PERFORMANCE

Narrow Flood at 0°
3500k

Delivered Lumens: 6000lm

Total System Watts: 79W

PRODUCT OVERVIEW

Lumen Output: 4000-7000lm

Wattage: 49-100W

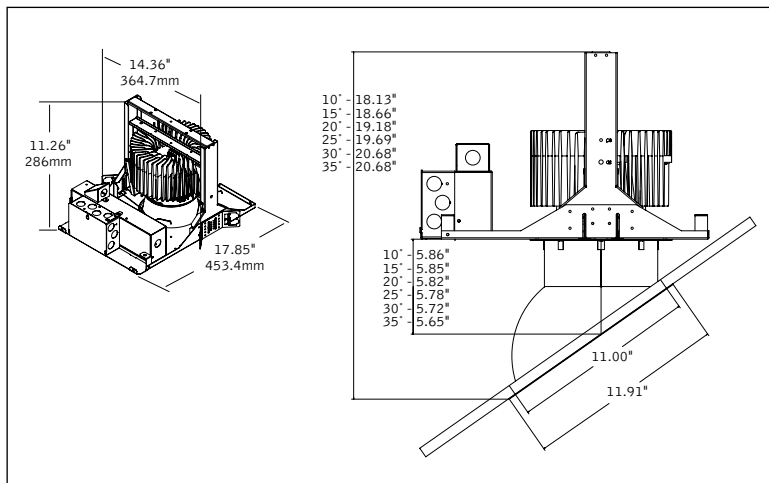
LPW: 66-81

SDCM: 3

Lumen Maintenance: L70 @ 100,000hrs

Photometric performance is measured in accordance with IESNA LM-79. Visit focalpointlights.com for complete photometric data.

HOUSING DETAILS



HOUSING SPECIFICATIONS

LED System

Proprietary array incorporates premium LEDs on a robust platform. Aluminum heat sink provides appropriate thermal management.

LED Module

Module may be specified in 3000K, 3500K or 4000K, CRI>80. Color accuracy within 2 SDCM. Cree LED features EasyWhite technology for maximum efficacy, color consistency and optical control.

Construction

Thermally protected housing for new construction applications. Insulation to be kept 3" away from housing. Butterfly brackets allow mounting to 1/2 emt. Die-cast aluminum heat sink designed for maximum thermal dissipation. Die-formed housing and integral junction box with (7) 1/2" pry outs. Standard accommodates ceiling thicknesses up to 1" standard, field adjustable up to 3" thickness. Sloped Ceiling accommodates ceiling thicknesses up to 1". For thicker ceiling consult factory. 18" O.C. fixture to wall and 36" O.C. fixture to fixture spacing required. Unit weight: 16.3 lbs.

Electrical

Choice of constant current dimming drivers. Power factor > .9 typical.

Emergency Battery

Bodine BSL17-C2. Emergency output—7W for 90 minutes for all available models.

Labels

UL and cUL listed. Suitable for Dry or Damp Locations, indoor use only.

Lumen Maintenance

Calculated: L70 at 100,000 hours Reported: L70 at >37,000 hours
 Derived from EPA TM-21 calculator

Warranty

LED System rated for operation in ambient environments up to 45°C. 5-year limited warranty.

TRIM SPECIFICATIONS

Aesthetics

Parabolic reflector cone ensures glare free optics. Reflector is .050 spun aluminum. Torsion springs pull trim tight to the ceiling with no visible fasteners within the trim. Trims are self-flanged. Non-painted trim matches reflector finish. White painted flange may also be specified. Sloped Ceiling adaptor is .055 spun aluminum self-flanged painted white.

Optics

50-degree cut-off to light source and its image.

PERFORMANCE CHART

See page 3

HOUSING ORDERING

Housing Series	FL6H
ID+ 6" Round	FL6H
Trim Type	RO
Round Overlap	RO
Lumen Output	
4000 Lumens	4000L
5000 Lumens	5000L
6000 Lumens	6000L
<small>(WFL & VWFL distributions not available with L3D.)</small>	
7000 Lumens	7000L
<small>(NFL & FL distributions only. Not available with L3D.)</small>	
Color Temperature	
3000K	30K
3500K	35K
4000K	40K
Distribution	
Narrow Flood	NFL
Flood	FL
Wide Flood	WFL
Very Wide Flood	VWFL
Voltage	
120V	120
277V	277
Driver	
0-10V - 1% Dimming	L11
0-10V - 0% Dimming	LZ1
DALI - 1% Dimming	D11
DMX/RDM - 1% Dimming	X11
Lutron A-Series -	L3D
1% EcoSystem Digital	
<small>(2) drivers supplied (EcoSystem addresses consumed) (Consult factory for 3-wire control)</small>	
Housing Type	T
Thermally Protected, Non-IC	T
Factory Options	
Chicago Plenum	CP
Emergency Battery Pack with Remote Test Switch	EMR
<small>(Above ceiling access only, Not available with Sloped Ceiling Kits)</small>	
TRIM ORDERING	
Aperture	L6H
6" Round Reflector	L6H
Trim Type	RD
Round	RD
Optic	DN
Downlight	DN
Color	CD
Clear Diffuse	CD
Flange Finish	
Non-Painted	NP
White Painted	WP

ACCESSORIES

(Leave blank for standard ceiling applications)

10° Sloped Ceiling Kit	FL6H-10SC
15° Sloped Ceiling Kit	FL6H-15SC
20° Sloped Ceiling Kit	FL6H-20SC
25° Sloped Ceiling Kit	FL6H-25SC
30° Sloped Ceiling Kit	FL6H-30SC
35° Sloped Ceiling Kit	FL6H-35SC

A complete unit consists of two or three line items, housing, trim and optional accessories
 Example: FL6H-RO-6000L-30K-NFL-120-L11-T | L6H-RD-DN-CD-NP | FL6H-25SC

PERFORMANCE CHART

Optic	Delivered Lumens	System Watts	Distribution	Beamspread	Center Beam Candlepower (CBCP)
Downlight	4000 Lumens	49	NFL	35°	10335
		53	FL	45°	5365
		55	WFL	55°	4205
		57	VWFL	65°	3387
	5000 Lumens	62	NFL	35°	12646
		67	FL	45°	6664
		70	WFL	55°	5237
		72	VWFL	65°	4208
	6000 Lumens	79	NFL	35°	14880
		84	FL	45°	8043
		88	WFL	55°	6311
		91	VWFL	65°	5079
	7000 Lumens	98	NFL	35°	17497
		100	FL	45°	9383

*Tested with 3500K, Clear Diffuse Reflector. Lumen output may vary +/- 5%. Actual wattage may vary +/- 5%

ID+ 6"

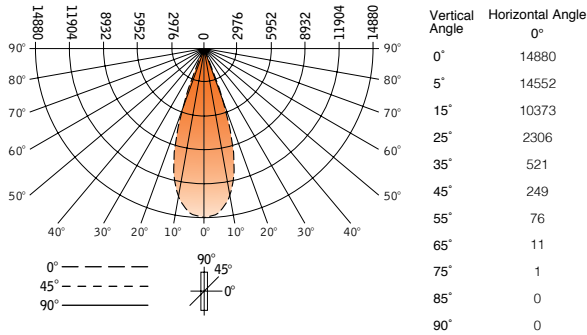
LED HIGH CEILING - NARROW FLOOD

FL6H-RO-6000L-30K-NFL-120-L11-T/L6H-RD-DN-CP-NP

Filename: FL6HRO6000L30KNFL.IES
Test #: 18525.0

Lumens: 5998lm
System Watts: 79W
LPW: 76

CANDLEPOWER DISTRIBUTION



LUMEN SUMMARY

Zone	Lumens	% Fixture	
0-30°	5397	90.0	
0-40°	5724	95.4	
0-60°	5986	99.8	
0-90°	5998	100.0	
Total Luminaire	0-90°	5998	100.0

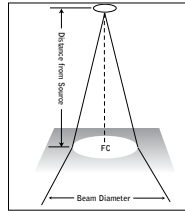
LUMINANCE DATA (CD/M²)

Vertical Angle	0°
45°	19170
55°	7244
65°	1463
75°	205
85°	0

FOOTCANDLE VALUES

0° aiming angle - horizontal surface

Distance from source	Beam Diameter	Center Beam (FC)
12'	7.8'	103.3
18'	11.7'	45.9
24'	15.6'	25.8
30'	19.5'	16.5
36'	23.4'	11.5



Footcandle results based on AGI32; Reflectances=0/0/0; LLF=1

Go to www.focalpointlights.com for additional photometric data.

ID+ 6"

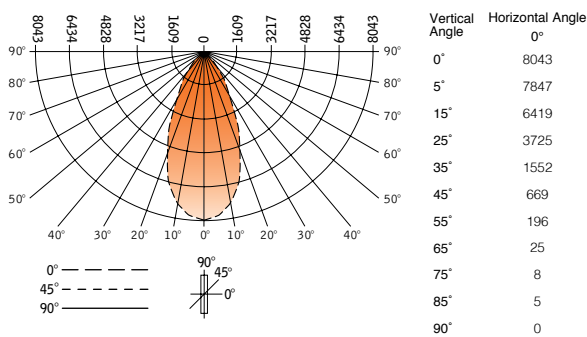
LED HIGH CEILING - FLOOD

FL6H-RO-6000L-30K-FL-120-L11-T/L6H-RD-DN-CD-NP

Filename: FL6HRO6000L30FL.IES
Test #: 18581.0

Lumens: 5999lm
System Watts: 84W
LPW: 71

CANDLEPOWER DISTRIBUTION



LUMEN SUMMARY

Zone	Lumens	% Fixture	
0-30°	4214	70.2	
0-40°	5235	87.3	
0-60°	5955	99.3	
0-90°	5999	100.0	
Total Luminaire	0-90°	5999	100.0

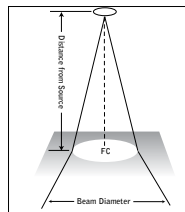
LUMINANCE DATA (CD/M²)

Vertical Angle	0°
45°	51792
55°	18670
65°	3285
75°	1788
85°	2275

FOOTCANDLE VALUES

0° aiming angle - horizontal surface

Distance from source	Beam Diameter	Center Beam (FC)
12'	10.2'	55.9
18'	15.3'	24.8
24'	20.4'	14.0
30'	25.5'	8.9
36'	30.6'	6.2



Footcandle results based on AGI32; Reflectances=0/0/0; LLF=1

Go to www.focalpointlights.com for additional photometric data.

ID+ 6"

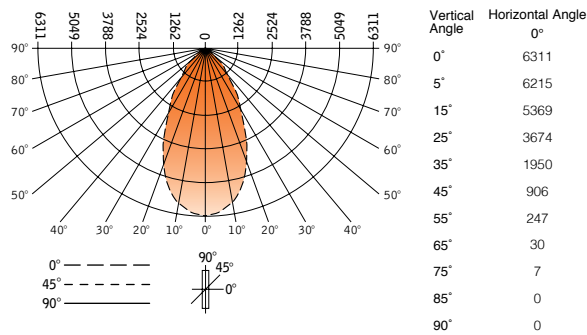
LED HIGH CEILING - WIDE FLOOD

FL6H-RO-6000L-30K-WFL-120-L11-T/L6H-RD-DN-CD-NP

Filename: FL6HRO6000L30WFL.IES
Test #: 18582.0

Lumens: 6002lm
System Watts: 88W
LPW: 68

CANDLEPOWER DISTRIBUTION



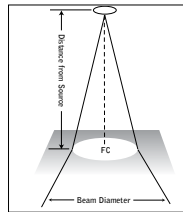
LUMEN SUMMARY

Zone	Lumens	% Fixture
0-30°	3753	62.5
0-40°	4996	83.2
0-60°	5953	99.2
0-90°	6002	100.0
Total Luminaire	0-90°	6002

LUMINANCE DATA (CD/M²)

Vertical Angle	0°
45°	70186
55°	23588
65°	3905
75°	1530
85°	0

FOOTCANDLE VALUES



0° aiming angle - horizontal surface

Distance from source	Beam Diameter	Center Beam (FC)
12'	12.2'	43.8
18'	18.3'	19.5
24'	24.5'	11.0
30'	30.6'	7.0
36'	36.7'	4.9

Footcandle results based on AGI32; Reflectances=0/0/0; LLF=1

Go to www.focalpointlights.com for additional photometric data.

ID+ 6"

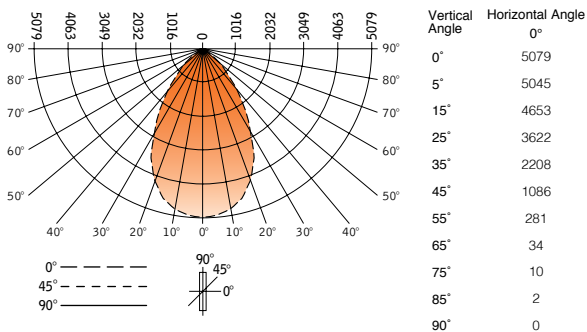
LED HIGH CEILING - VERY WIDE FLOOD

FL6H-RO-6000L-VWFL-30K-120-T/L6H-RD-DN-CD-NP

Filename: FL6HRO6000L30VWFL.IES
Test #: 18527.0

Lumens: 5999lm
System Watts: 91W
LPW: 66

CANDLEPOWER DISTRIBUTION



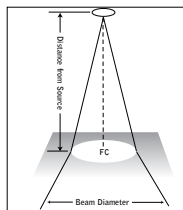
LUMEN SUMMARY

Zone	Lumens	% Fixture
0-30°	3425	57.1
0-40°	4813	80.2
0-60°	5946	99.1
0-90°	5999	100.0
Total Luminaire	0-90°	5999

LUMINANCE DATA (CD/M²)

Vertical Angle	0°
45°	84139
55°	26854
65°	4380
75°	2044
85°	0

FOOTCANDLE VALUES



0° aiming angle - horizontal surface

Distance from source	Beam Diameter	Center Beam (FC)
12'	15.0'	35.3
18'	22.5'	15.7
24'	30.0'	8.8
30'	37.5'	5.6
36'	45.0'	3.9

Footcandle results based on AGI32; Reflectances=0/0/0; LLF=1

Go to www.focalpointlights.com for additional photometric data.