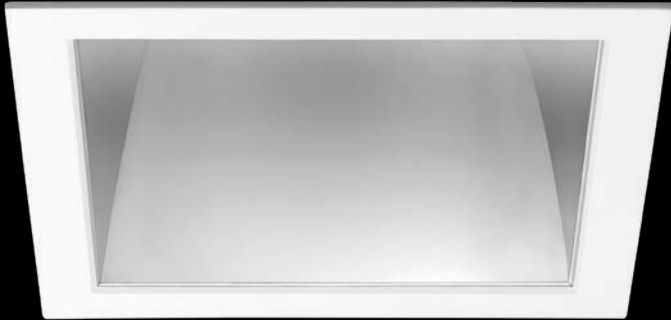


ID+ 6" x 6"

LED HIGH CEILING DOWNLIGHT

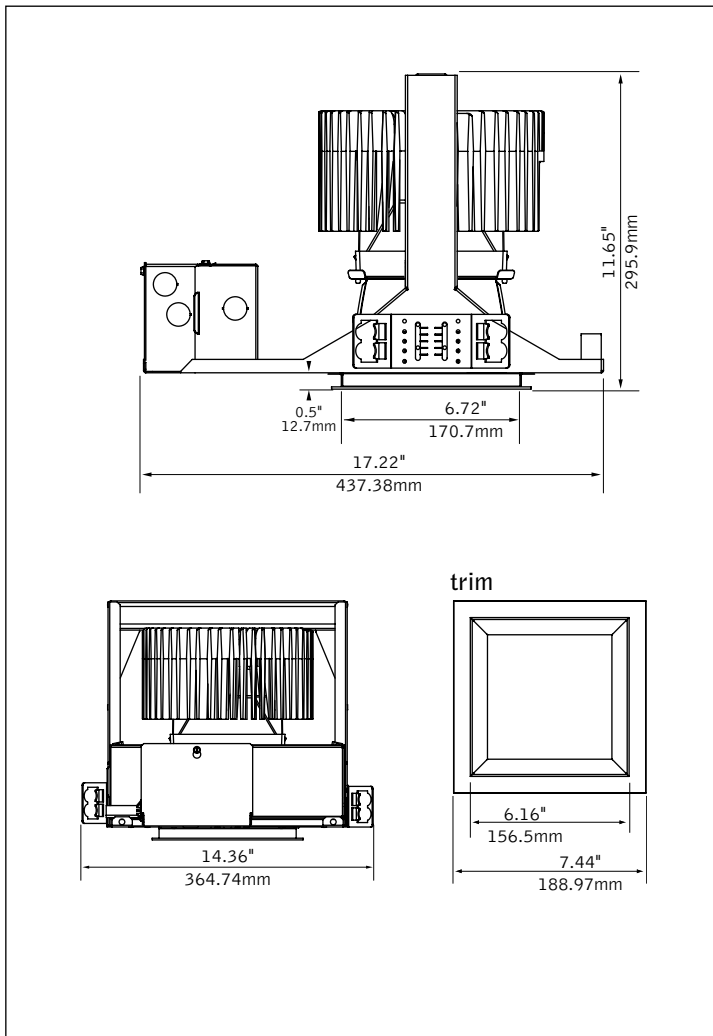


FOCAL POINT®



wall wash companion

DIMENSIONAL DATA



FEATURES

High ceiling downlight with a choice of beamspreads is ideal for lobbies, atriums and convention centers.

Optical design creates homogenous light source appearance. Field changeable 33°, 46°, 55° and 65° beams offer design flexibility.

Selection of dimming drivers available.

Passive cooling allows silent operation.

Clear Diffuse reflector features superior brightness control and 50-degree cutoff to light source and its image.

PERFORMANCE

PRODUCT OVERVIEW

Lumen Output:	4000-6000lm
Wattage:	58-101W
LPW:	56-69
SDCM:	2
Lumen	L90 @
Maintenance:	100,000hrs

Narrow Flood at 0°
3500k

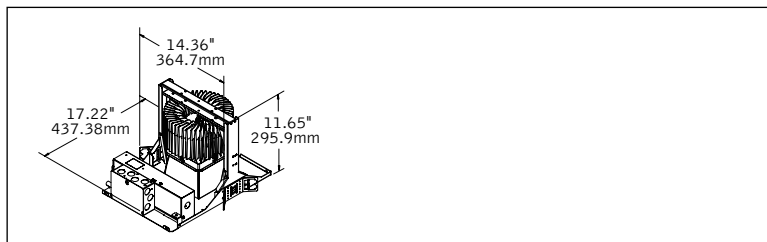
Delivered Lumens: 6000
Total System Watts: 95W

Photometric performance is measured in accordance with IESNA LM-79.
Visit focalpointlights.com for complete photometric data.

fixture:

project:

HOUSING DETAIL



HOUSING SPECIFICATIONS

LED System

Proprietary array incorporates premium LEDs on a robust platform. Aluminum heat sink provides appropriate thermal management.

LED Module

Module may be specified in 3000K, 3500K or 4000K, CRI>80. Color accuracy within 2 SDCM. Cree LED features EasyWhite technology for maximum efficacy, color consistency and optical control.

Construction

Thermally protected housing for new construction applications. Insulation to be kept 3" away from housing. Butterfly brackets allow mounting to ½ emt. Die-cast aluminum heat sink designed for maximum thermal dissipation. Die-formed housing and integral junction box with (7) 1/2" pry outs. Accommodates ceiling thicknesses up to 1" standard, field adjustable up to 3" thickness. For thicker ceiling consult factory. 18" O.C. fixture to wall and 36" O.C. fixture to fixture spacing required.

Electrical

Choice of constant current dimming drivers. Power factor > .9 typical.

Emergency Battery

Bodine BSL17-C2. Emergency output—7W for 90 minutes for all available models.

Labels

UL and cUL listed. Suitable for Dry or Damp Locations, indoor use only.

Lumen Maintenance

Calculated: L90 at 100,000 hours Reported: L90 at >37,000 hours
Derived from EPA TM-21 calculator

Warranty

LED System rated for operation in ambient environments up to 45°C. 5-year limited warranty.

TRIM SPECIFICATIONS

Aesthetics

Parabolic reflector ensures glare free optics. Torsion springs pull trim tight to the ceiling with no visible fasteners within the trim. One piece die-cast construction creates seamless integration with reflector eliminating mitered corners. Die-cast flange maintains tight fit of reflector corners. SmartLock™ clip allows for quick removal and re-assembly of trim components for field painting.

Optics

50-degree cut-off to light source and its image.

PERFORMANCE CHART

See page 3

HOUSING ORDERING

Housing Series	ID+ 6" Square	FL66H	FL66H
Trim Type	Square Overlap	SO	SO
Lumen Output	4000 Lumens	4000L	
	5000 Lumens	5000L	
	6000 Lumens	6000L	
<small>(NFL & FL distributions only. Not available with L3D.)</small>			
Color Temperature	3000K	30K	
	3500K	35K	
	4000K	40K	
Distribution	Narrow Flood	NFL	
	Flood	FL	
	Wide Flood	WFL	
	<small>(4000L & 5000L only)</small>		
	Very Wide Flood	VWFL	
	<small>(4000L & 5000L only, 5000L not available with L3D)</small>		
Voltage	120V	120	
	277V	277	
Driver	0-10V - 1% Dimming	L11	
	0-10V - 0% Dimming	LZ1	
	DALI - 1% Dimming	D11	
	DMX/RDM - 1% Dimming	X11	
	Lutron A-Series - 1% EcoSystem Digital	L3D	
	<small>((2) drivers supplied (2) EcoSystem addresses consumed) (Consult factory for 3-wire control)</small>		
Housing Type	Thermally Protected, Non-IC	T	T
Factory Options	Chicago Plenum	CP	
	Emergency Battery Pack with Remote Test Switch	EMR	
	<small>(Above ceiling access only)</small>		
TRIM ORDERING			
Aperture	6" Square Reflector	L66H	L66H
Trim Type	Square	SQ	SQ
Optic	Downlight	DN	DN
Color	Clear Diffuse	CD	CD
Flange Finish	White	WH	
	Black	BK	
	Titanium Silver	TS	
	Aluminum Raw	AL	

A complete unit consists of two line items, housing and trim
Example: FL66H-SO-4000L-30K-NFL-120-L11-T | L66H-SQ-DN-CD-WH

PERFORMANCE CHART

Optic	Delivered Lumens	System Watts	Distribution	Beamspread	Center Beam Candlepower (CBCP)
Downlight	4000 Lumens	58	NFL	33°	11139
		64	FL	46°	5905
		66	WFL	55°	4479
		69	VWFL	65°	3512
	5000 Lumens	75	NFL	33°	13961
		84	FL	46°	7402
		86	WFL	55°	5595
		90	VWFL	65°	4394
	6000 Lumens	95	NFL	33°	17199
		101	FL	46°	8883

*Tested with 3500K, Clear Diffuse Reflector. Lumen output may vary +/- 5%. Actual wattage may vary +/- 5%

ID+ 6" x 6"

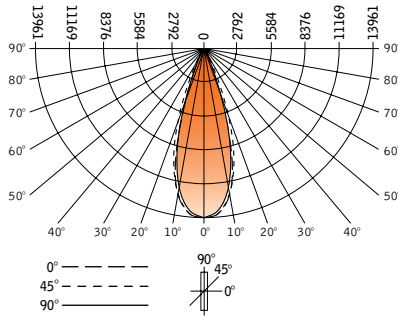
LED HIGH CEILING - NARROW FLOOD

FL66H-5000L-35K-NFL-LD1-120V-SO-T / L66H-SQ-DN-CD-WH

Filename: FL66HSQ5000L35KNFL.IES
Test #: 18461.1

Lumens: 4991lm
System Watts: 74.8W
LPW: 67

CANDLEPOWER DISTRIBUTION



Vertical Angle	Horizontal Angle				
	0°	22.5°	45°	67.5°	90°
0°	13961	13961	13961	13961	13961
5°	13659	13577	13623	13536	13442
15°	8616	8800	9469	8570	8154
25°	1180	1620	2187	1305	1237
35°	401	348	274	356	409
45°	215	168	130	178	215
55°	105	78	70	83	106
65°	36	28	25	29	38
75°	13	9	9	11	12
85°	2	2	1	2	2
90°	0	0	0	0	0

LUMEN SUMMARY

Zone	Lumens	% Fixture
0-30°	4523	90.6
0-40°	4750	95.0
0-60°	4949	99.2
0-90°	4991	100.0
Total Luminaire 0-180°	4991	100.0

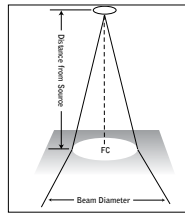
LUMINANCE DATA (CD/M²)

Vertical Angle	Horizontal Angle		
	0°	45°	90°
45°	12966	7839	12966
55°	7840	5227	7901
65°	3629	2557	3794
75°	2155	1482	2020
85°	800	400	800

FOOTCANDLE VALUES

0° aiming angle - horizontal surface

Distance from source	Beam Diameter	Center Beam (FC)
12'	7.0	97.0
18'	10.6	43.1
24'	14.1	24.2
30'	17.6	15.5
36'	21.1	10.8



Footcandle results based on AGI32; Reflectances=0/0/0; LLF=1

Go to www.focalpointlights.com for additional photometric data.

ID+ 6" x 6"

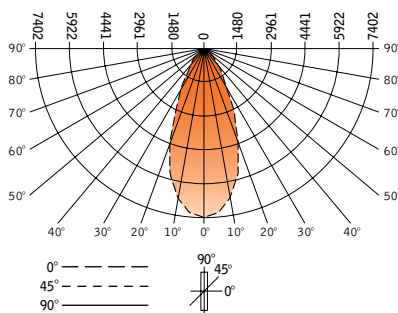
LED HIGH CEILING - FLOOD

FL66H-5000L-35K-FL-LD1-120V-SO-T / L66H-SQ-DN-CD-WH

Filename: FL66HSQ5000L35KFL.IES
Test #: 18458.0

Lumens: 5000lm
System Watts: 83W
LPW: 60

CANDLEPOWER DISTRIBUTION



Vertical Angle	Horizontal Angle				
	0°	22.5°	45°	67.5°	90°
0°	7402	7402	7402	7402	7402
5°	7246	7240	7234	7236	7229
15°	5714	5718	5702	5749	5723
25°	2916	3281	3037	3091	3116
35°	1172	1102	994	1133	1240
45°	527	470	387	464	567
55°	187	157	133	158	187
65°	60	46	40	50	54
75°	18	14	14	14	18
85°	8	8	8	8	8
90°	0	0	0	0	0

LUMEN SUMMARY

Zone	Lumens	% Fixture
0-30°	3671	73.4
0-40°	4409	88.2
0-60°	4928	98.6
0-90°	5000	100.0
Total Luminaire 0-180°	5000	100.0

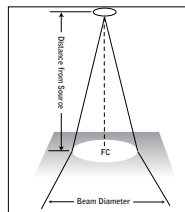
LUMINANCE DATA (CD/M²)

Vertical Angle	Horizontal Angle		
	0°	45°	90°
45°	32029	23564	34469
55°	14008	9965	14008
65°	6124	4083	5486
75°	2917	2292	2917
85°	1239	617	617

FOOTCANDLE VALUES

0° aiming angle - horizontal surface

Distance from source	Beam Diameter	Center Beam (FC)
12'	10.2	51.4
18'	15.2	22.8
24'	20.3	12.9
30'	25.4	8.2
36'	30.5	5.7



Footcandle results based on AGI32; Reflectances=0/0/0; LLF=1

Go to www.focalpointlights.com for additional photometric data.

ID+ 6" x 6"

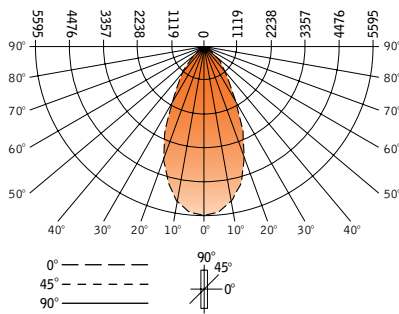
LED HIGH CEILING - WIDE FLOOD

FL66H-5000L-35K-WFL-LD1-120V-SO-T / L66H-SQ-DN-CD-WH

Filename: FL66HSQ5000L35KWFL.IES
Test #: 18459.0

Lumens: 5000lm
System Watts: 84W
LPW: 60

CANDLEPOWER DISTRIBUTION



Vertical Angle	Horizontal Angle				
	0°	22.5°	45°	67.5°	90°
0°	5595	5595	5595	5595	5595
5°	5522	5512	5512	5499	5512
15°	4669	4663	4666	4629	4709
25°	3033	3080	3067	3133	3183
35°	1521	1460	1385	1599	1666
45°	729	618	547	713	806
55°	239	185	174	209	246
65°	70	57	52	62	70
75°	20	19	16	20	20
85°	0	0	0	0	0
90°	0	0	0	0	0

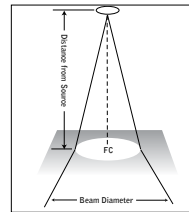
LUMEN SUMMARY

Zone	Lumens	% Fixture
0-30°	3224	64.5
0-40°	4196	83.9
0-60°	4912	98.2
0-90°	5000	100.0
Total Luminaire 0-180°	5000	100.0

LUMINANCE DATA (CD/M²)

Vertical Angle	Horizontal Angle		
	0°	45°	90°
45°	44377	33283	49012
55°	17892	13021	18455
65°	7120	5340	7120
75°	3322	2699	3322
85°	0	0	0

FOOTCANDLE VALUES



0° aiming angle - horizontal surface

Distance from source	Beam Diameter	Center Beam (FC)
12'	12.4	38.9
18'	18.5	17.3
24'	54.7	9.7
30'	30.9	6.2
36'	37.1	4.3

Footcandle results based on AGI32; Reflectances=0/0/0; LLF=1

Go to www.focalpointlights.com for additional photometric data.

ID+ 6" x 6"

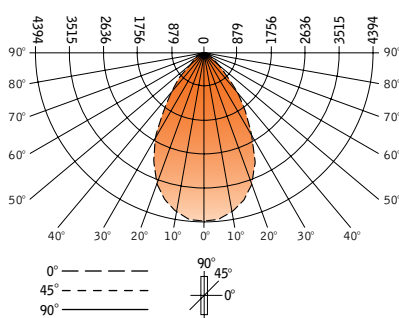
LED HIGH CEILING - VERY WIDE FLOOD

FL66H-5000L-35K-VWF-LD1-120V-SO-T / L66H-SQ-DN-CD-WH

Filename: FL66HSQ5000L35KVWFL.IES
Test #: 18460.0

Lumens: 5000lm
System Watts: 90W
LPW: 56

CANDLEPOWER DISTRIBUTION



Vertical Angle	Horizontal Angle				
	0°	22.5°	45°	67.5°	90°
0°	4394	4394	4394	4394	4394
5°	4361	4359	4356	4358	4355
15°	3974	3971	3940	3940	3956
25°	3145	3120	3014	3040	3139
35°	1887	1793	1732	1747	1902
45°	908	821	694	792	873
55°	259	228	209	219	265
65°	78	66	60	64	81
75°	21	19	18	20	24
85°	3	1	3	3	4
90°	0	0	0	0	0

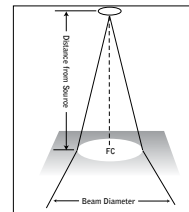
LUMEN SUMMARY

Zone	Lumens	% Fixture
0-30°	2919	58.4
0-40°	4051	81.0
0-60°	4900	98.0
0-90°	5000	100.0
Total Luminaire 0-180°	5000	100.0

LUMINANCE DATA (CD/M²)

Vertical Angle	Horizontal Angle		
	0°	45°	90°
45°	55255	42241	53124
55°	19422	15669	19892
65°	7895	6112	8277
75°	3535	2912	3951
85°	1234	1234	1851

FOOTCANDLE VALUES



0° aiming angle - horizontal surface

Distance from source	Beam Diameter	Center Beam (FC)
12'	15.4	30.5
18'	23.1	13.6
24'	30.8	7.6
30'	38.5	4.9
36'	46.2	3.4

Footcandle results based on AGI32; Reflectances=0/0/0; LLF=1

Go to www.focalpointlights.com for additional photometric data.