

# Equation™ 2 1x1

LED

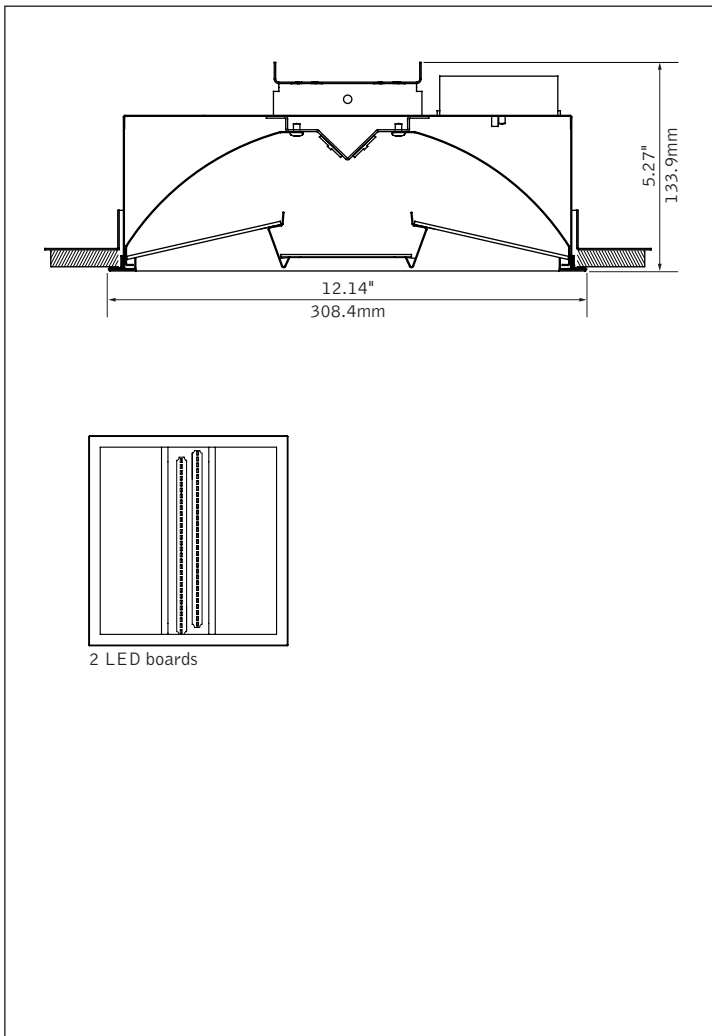


opal acrylic lens



MicroGlow lens

## DIMENSIONAL DATA



## FEATURES

Equation™ 2 blends sleek aesthetics with uniform diffuse illumination.

Center diffuser features MicroGlow prismatic lens for brightness control and visual comfort. Opal acrylic center lens may also be specified.

Premium LEDs operate efficiently on a robust module platform to achieve excellent thermal management and reliable operation.

## PERFORMANCE

PRODUCT OVERVIEW	
Lumen Output:	1000-1500lm
Wattage:	12-19W
LPW:	79-83
SDCM:	3

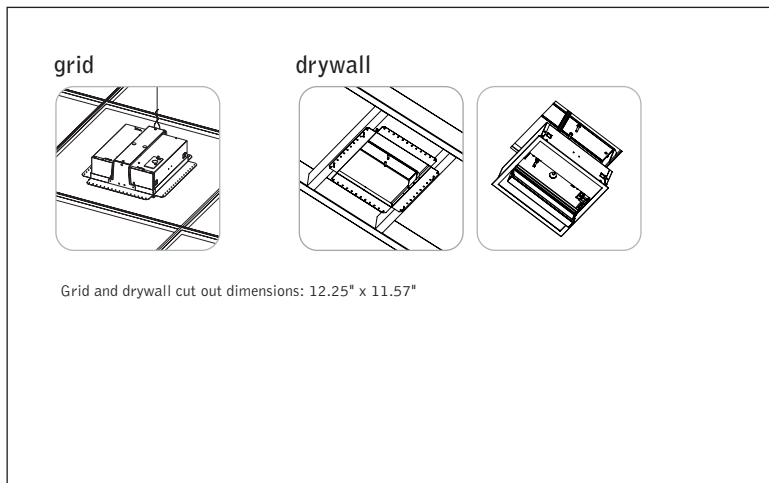
Opal Acrylic Lens  
**Delivered Lumens: 1000lm**  
**Total System Watts: 12W**

Photometric performance is measured in accordance with IESNA LM-79. Visit focalpointlights.com for complete photometric data.

fixture:

project:

**DETAILS**



**SPECIFICATIONS**

**LED System**

Proprietary linear LED module incorporates premium LEDs on a robust platform to achieve excellent thermal management. LEDs are placed to promote a uniform appearance. Available in 2700K, 3000K, 3500K or 4000K with CRI>80 or CRI>90, 3SDCM. Contact factory for additional color temperature and CRI options. LED modules and drivers are replaceable from below.

**Construction**

One-piece 24 Ga. steel housing. Two-piece 24 Ga. steel reflectors. 24 Ga. steel ends form finishing housing. Housing ships with universal 24 Ga. galvanized steel mounting yoke for grid or drywall ceiling. Weight: 9 lbs.

**Optic**

24 Ga. steel reflectors finished in matte satin white powder coat. .080" thick frosted white acrylic diffusers. Center shielding options include .080" thick opal acrylic lens or MicroGlow prismatic lens with optical filter overlay.

**Electrical**

Standard 120-277V driver includes 0-10V analog dimming. Power factor > .9. Optional DALI or Lutron EcoSystem drivers available.

**Labels**

UL and cUL listed. Suitable for Dry or Damp Locations, indoor use only.

**Finish**

Polyester powder coat applied over a multi-stage pre-treatment.

**Lumen Maintenance**

Reported: L80 at 60,000 hours  
(Derived from EPA TM-21 calculator. Based on typical conditions, consult factory for additional data.)

**Reliability**

At Focal Point, our products are designed to stand the test of time. Each luminaire is engineered using superior components, manufactured with the utmost care and rigorously tested. Contact us for reliability data.

**Warranty**

LED system rated for operation in ambient environments up to 25°C. 5-year limited warranty.

**PERFORMANCE CHART**

Delivered Lumens	Tested System Watts	LPW
1000	12	83
1500	19	79

Based on 3500K, 80 CRI. Lumen multipliers: Preferred Light = 0.65, 90+ CRI = 0.87. Lumen output may vary +/- 5%. Actual wattage may vary +/- 5%.

**ORDERING**

<b>Luminaire Series</b>	Equation 2	<b>FEQ2</b>
<b>Nominal Size</b>	1' x 1'	<b>11</b>
<b>Shielding</b>	Opal Acrylic Lens	AC
	MicroGlow Prismatic Lens	MG
<b>Lumen Output</b>	1000 Lumens	1000L
	1500 Lumens	1500L
<b>Color Temperature</b>	2700K, 80+ CRI or 90+ CRI	27K or 927K
	3000K, 80+ CRI or 90+ CRI	30K or 930K
	3500K, 80+ CRI or 90+ CRI	35K or 935K
	4000K, 80+ CRI or 90+ CRI	40K or 940K
<b>Circuits</b>	Single Circuit	<b>1C</b>
<b>Voltage</b>	UNV 120/277 Volt	<b>UNV</b>
<b>Control System &amp; Dimming Level</b>	0-10V - 10% Dimming	LD1
	0-10V - 1% Dimming	L11
	DALI - 1% Dimming	D11
<b>Mounting</b>	Universal	<b>U</b>
<b>Factory Options</b>	Chicago Plenum	CP
	6' New York City Flex Whip (120V)	FN1
	6' New York City Flex Whip (277V)	FN2
	6' Flex Whip	FW
	<small>(Sensor options available—consult factory)</small>	
<b>Finish</b>	Matte White Housing	<b>WH</b>