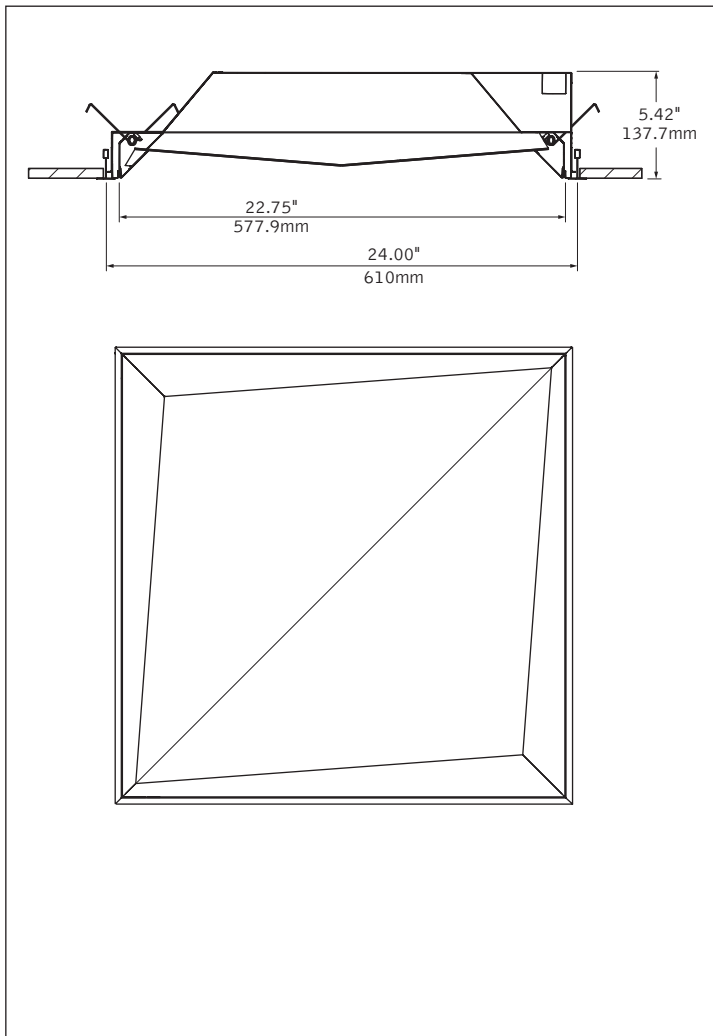


Facetta 2x2

LED



DIMENSIONAL DATA



FEATURES

Architectural recessed LED luminaire with faceted lens.

Faceted lens allows for use in clusters to create unique architectural patterns.

A one-piece, hinged bezel assembly is easily removed for ease of maintenance.

Standard Right Light levels from 1,000 to 4,000 lumens.

Dimming options include DALI, 0-10V and Lutron EcoSystem.


Connected Solutions: Integrates with wired and wireless building lighting control systems.

Preferred Light: Lighting for better color rendition and human preference.

PERFORMANCE

PRODUCT OVERVIEW	
Lumen Output:	1000-4000lm
Wattage:	9-36W
LPW:	114-122
SDCM:	3

Delivered Lumens: 3000lm
Total System Watts: 26W

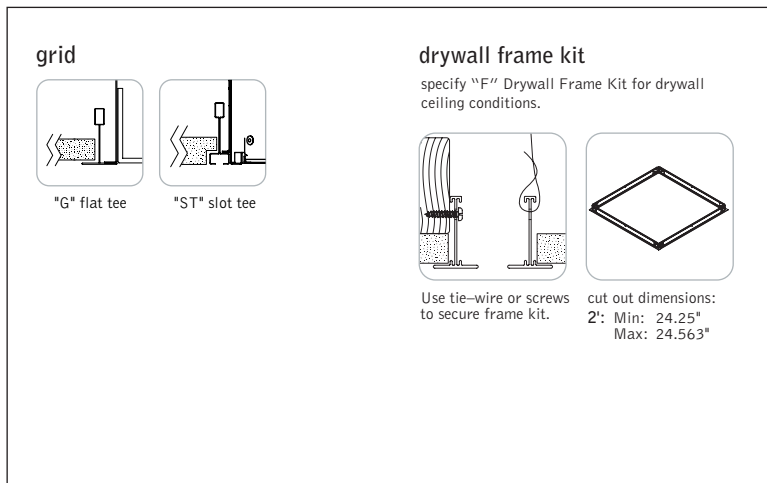


Photometric performance is measured in accordance with IESNA LM-79. Visit focalpointlights.com for complete photometric data. Visit designlights.org/QPL for model specifics.

fixture:

project:

DETAILS



SPECIFICATIONS

LED System

Proprietary linear LED module incorporates premium LEDs on a robust platform to achieve excellent thermal management. LEDs are placed to promote a uniform appearance. Available in 3000K, 3500K or 4000K with CRI>80. 0-10V dimming driver standard. LED modules and drivers are replaceable from below. Color accuracy <3 SDCM.

Construction

24 Ga. steel housing. Bottom access 24 Ga. steel driver compartment. Positional brackets supplied as standard. Weight: 14.9lbs.

Optic

20 Ga. steel reflectors finished in matte satin white powder coat. .060" thick frosted acrylic lens.

Electrical

Standard 120-277V driver includes 0-10V analog dimming, 100% - 10% range. Power factor > .9.

Emergency

Bodine BSL310-CAN. Emergency output—10 watts for 90 minutes. Maximum mounting height: 24.7ft. Top access only.

Labels

UL and cUL listed. Suitable for Dry or Damp Locations, indoor use only.

Finish

Polyester powder coat applied over a multi-stage pre-treatment.

Lumen Maintenance

Reported: L70 at 42,000 hours Calculated: L70 at 115,000 hours
Derived from EPA TM-21 calculator. Based on typical conditions, consult factory for additional data.

Reliability

At Focal Point, our products are designed to stand the test of time. Each luminaire is engineered using superior components, manufactured with the utmost care and rigorously tested. Contact us for reliability data.

Lifetime and warranty

LED system rated for operation in ambient environments up to 25°C. 5-year limited warranty.

PERFORMANCE CHART

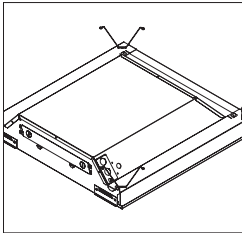
Delivered Lumens	Tested System Watts	LPW
1000	9	114
2000	17	122
2500	21	122
3000	26	121
3500	31	119
4000	36	117

Lumen output may vary +/- 5%. Actual wattage may vary +/- 5%. Preferred Light lumen multiplier = 0.65.

ORDERING

Luminaire Series	Facetta	FCT
Nominal Size	2' x 2'	22
Shielding	Frosted Lens	FL
Lumen Output	1000 Lumens	1000L
	2000 Lumens	2000L
	2500 Lumens	2500L
	3000 Lumens	3000L
	3500 Lumens	3500L
	4000 Lumens	4000L
Color Temperature	2700K	27K
	3000K	30K
	3500K	35K
	4000K	40K
	3500K Preferred Light	P35K
Circuits	Single Circuit	1C
Voltage	UNV 120/277 Volt	UNV
	347 Volt	347
<small>(Transformer required for all drivers except LD1. Transformer access above ceiling only. LD1 not available with 1000 Lumens. Not available with SD5.)</small>		
Control System & Dimming Level	0-10V - 10% Dimming	LD1
	0-10V - 1% Dimming	L11
	Lutron Hi-Lume EcoSystem (LDE1) - 1% Dimming	LH1
	Lutron 5-Series EcoSystem (LDE5) - 5% Dimming	LU5
<small>(Not available with 1000 Lumens)</small>		
	DALI - 1% Dimming	D11
	Step Dimming	SD5
<small>(120/277 only. 3000, 3500 & 4000 Lumens only.)</small>		
	Acuity nLight - 1% Dimming	NLT1
<small>(Not available with CP.)</small>		
	Enlighted Smart Sensor - 1% Dimming	ENL1
<small>(Remote mounted sensor)</small>		
	Osram Connected Lighting Module for ENCELIUM systems - 1% Dimming	CLM1
<small>(Compatible with Osram ENCELIUM and ENCELIUM EDGE systems only)</small>		
	Osram Connected Lighting Module for ZigBee Wireless Networks - 1% Dimming	CLMZ1
<small>(Not compatible with Osram ENCELIUM systems)</small>		
	Wattstopper DLM - 1% Dimming	DLM1
Mounting	Drywall Frame Kit	F
<small>(Not available with CLM1, CLMZ1, DLM1, ENL1 or NLT1)</small>		
	Grid	G
	Slot Tee	ST
Factory Options	Chicago Plenum	CP
	Emergency Battery	EM
<small>(120/277V only. Above ceiling access only.)</small>		
	6' New York City Flex Whip (120V)	FNY1
	6' New York City Flex Whip (277V)	FNY2
	6' Flex Whip	FW
Finish	Matte White Housing	WH

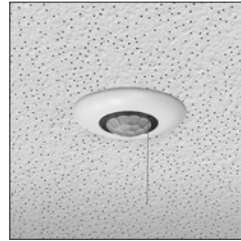
Focal Point provides flexibility in meeting the needs of each project by integrating with several building lighting control systems. A variety of sensors, drivers and other components can be specified that allow the luminaires to communicate with wired and wireless networks. All zoning can be digitally reconfigured through the application software. Daylight harvesting, occupancy sensing, integration with HVAC systems, and individual controls enable the monitoring and modulating of light levels and temperature in order to save energy, reduce costs and maximize occupants' comfort. All Connected Solutions luminaires require a compatible building control system.†



nLight® provides a two-way wired digital lighting system allowing for on/off and dimming functionality, occupancy sensing, and multi-zone daylight harvesting.

Acuity nLight - 1% Dimming (NLT1)
Acuity Model #nEPS-60-IO

CAT-5 Cable provided by others. Serial labels will be provided on outside of luminaires and control unit.



Enlighted smart sensor allows for occupancy sensing, daylight harvesting, energy usage, temperature and light level control. Communicates wirelessly with the Enlighted network.

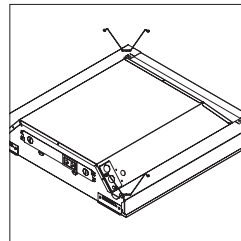
Enlighted Smart Sensor - 1% Dimming (ENL1)
Enlighted Model #SU-4E-01



Connected Lighting Module (CLM) enables each luminaire to be independently controlled and configured. Communicates wirelessly with Daintree Networks®, Osram ENCELIUM®, Osram ENCELIUM EDGE™, and other networks using the ZigBee® HA communication protocol to allow for on/off and dimming functionality, occupancy sensing and multi-zone daylight harvesting.

Osram CLM - 1% Dimming (CLM1 & CLMZ1)
Osram Model #ZBHA-CLM DIM

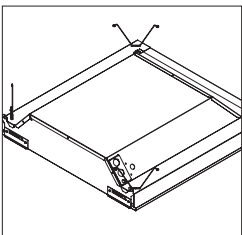
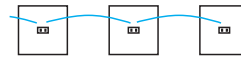
Serial labels will be provided on outside of luminaires and control unit.



A Digital Lighting Management (DLM) system that provides two-way wired communication between networked luminaires and control system to allow for on/off and dimming functionality, occupancy sensing and multi-zone daylight harvesting.

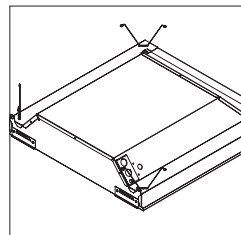
Wattstopper DLM - 1% Dimming (DLM1)
Wattstopper Model #LMFC-011

CAT-5 Cable provided by others. Serial labels will be provided on outside of luminaires and control unit.



A two-way digital network that enables on/off and dimming functionality, occupancy sensing, and multi-zone daylight harvesting working with Quantum®, Energi Savr Node™, and Energi TriPak® using EcoSystem® communication protocol.

Lutron Hi-Lume EcoSystem - 1% Dimming (LH1)
Lutron Model #LDE1
Lutron 5-Series EcoSystem - 5% Dimming (LU5)
Lutron Model #LDE5



A two-way digital network that enables on/off and dimming functionality, occupancy sensing, and multi-zone daylight harvesting. Communicates with Züm wireless and SpaceBuilder working with Züm hub scheduling or FUSION management.

DALI - 1% Dimming (D11)
0-10V - 1% Dimming (L11)

Note: 0-10V is not a digital network but is compatible with Creston Züm™ system.

CONNECTED SOLUTIONS DETAILS

Connected Solution	Model #	Protocol	Compatible Networks*	Occupancy	Daylight	Temperature Reporting	Communication to Luminaire	Drivers
Acuity nLight (NLT1)	nEPS-60-IO**	nLight	nLight	Enabled	Enabled	No	Wired	eldoLED ECOdrive , eldoLED SOLOdrive
Crestron (D11, L11)	Specified Driver	DALI 0-10V	Crestron Züm Wireless & SpaceBuilder	Enabled	Enabled	No	Wired	eldoLED ECOdrive (DALI) , Philips Xitanium (0-10V)
Enlighted Smart Sensor (ENL1)	SU-4E-01**	Enlighted RF	Enlighted	Integrated	Integrated	Yes	Wireless	Osram Optotronic , Philips SimpleSet
Legrand Wattstopper DLM (DLM1)	LMFC-011**	DLM	DLM	Enabled	Enabled	No	Wired	Osram Optotronic , Philips SimpleSet
Lutron EcoSystem (LH1 & LU5)	LDE1,** LDE5**	EcoSystem	Quantum, Energi Savr Node, Energi TriPak	Enabled	Enabled	No	Wired	Lutron Hi-Lume Lutron 5-Series
Osram CLM for ENCELIUM systems (CLM1)	ZBHA-CLM**	ZigBee HA	Osram ENCELIUM & ENCELIUM EDGE	Enabled	Enabled	No	Wireless	Osram Optotronic
Osram CLM for ZigBee Wireless Networks (CLMZ1)	ZBHA-CLM**	ZigBee HA	Daintree Networks & open ZigBee Networks	Enabled	Enabled	No	Wireless	Osram Optotronic

*Not all compatible networks may be listed. **For performance data and additional control system details please visit the connected solutions manufacturer websites. Primary drivers are listed in bold. To specify a particular driver please consult factory. †Controls systems supplied by others.