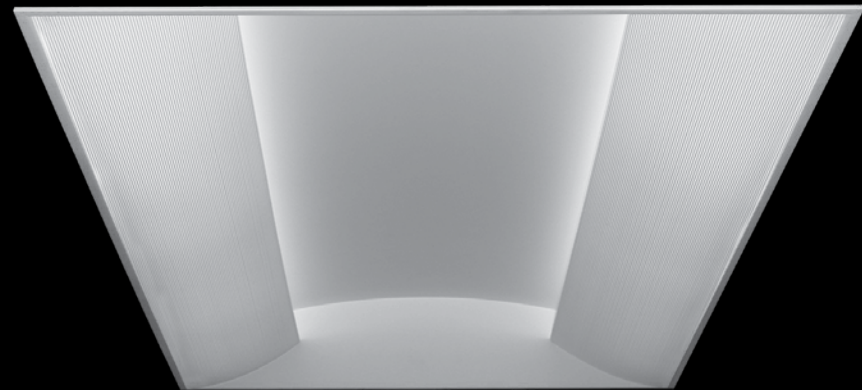


# Skylite® 2x4

FLUORESCENT



## DIMENSIONAL DATA

24.00"  
609.6mm

5.50"  
139.7mm

**lamping options**

T8 LAMPS

T5/T5HO LAMPS

## FEATURES

- 2'x4' recessed indirect with perforated side baskets.
- High reflectance, low gloss Matte White finish controls glare.
- Perforated lamp shields swing down for easy relamping.
- All luminaire combinations may be continuously row mounted.
- Skylite® provides high angle uniform distribution ideal for general illumination.

## PERFORMANCE

**PRODUCT OVERVIEW**

Lumen Output: 4062-11700lm

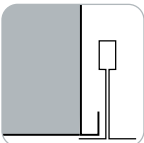
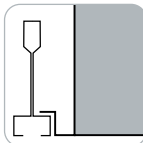
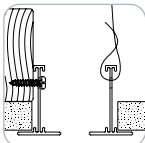
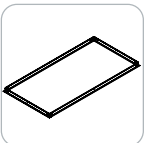
Wattage: 62-236W

Lamping: T5, T5HO, T8

2-Lamp T8  
**69% Efficient**  
**1310 cd @ 10°**

Visit [focalpointlights.com](http://focalpointlights.com) for complete photometric data.

**MOUNTING INFORMATION**

<p><b>grid</b></p> <p>specify "G" for flat 9/16" and 15/16" tee or "ST" for 9/16" slot tee grid types.</p>		<p><b>drywall frame kit</b></p> <p>specify "F" Drywall Frame Kit for drywall ceiling conditions.</p>	
			
<p>"G" flat tee</p> <p>Luminaires cannot be installed in T-bar ceiling systems over 1.5" high in T8 lamp configurations.</p>	<p>"ST" slot tee</p>	<p>Use tie-wire or screws to secure frame kit.</p>	<p>cut out dimensions:</p> <p>2': Min: 24.25" Max: 24.563"</p> <p>4': Min: 48.25" Max: 48.563"</p>

**SPECIFICATIONS**

**Construction**

One-piece 20 Ga. steel reflector and housing. 22 Ga. perforated shields with white acrylic lens insert. Shields are secured by spring latches that allow for easy relamping. Unit weight: 38 lbs.

**Optic**

One-piece 20 Ga. steel reflector finished in Matte Satin White powder coat.

**Electrical**

Electronic ballasts are thermally protected and have a Class "P" rating. Optional dimming ballasts available. Consult factory for dimming specifications and availability.

**Labels**

UL and cUL listed.

**Finish**

Polyester powder coat applied over a 5-stage pre-treatment.

**ORDERING**

<b>Luminaire Series</b>	<b>FBX</b>
Skylite	FBX
<b>Nominal Size</b>	<b>24</b>
2' x 4'	24
<b>Distribution</b>	<b>B</b>
Bi-Directional	B
<b>Lamp Quantity</b>	
Two Lamp	2
Four Lamp	4
<b>Lamp Type</b>	
T8	T8
T5	T5
T5HO	T5HO
<b>Ballast</b>	
Electronic Program Start <10% THD	S
0-10V	D7
Lutron 1% 3-wire	DH
Lutron 1% H-Series	DK
<b>Voltage</b>	
120 Volt	120
277 Volt	277
347 Volt	347
(Consult factory for dimming options)	
120/277 Volt	UNV
(Cannot be specified with EM option)	
<b>Mounting</b>	
<b>Drywall Frame Kit</b>	F
(Cut out dimensions: Min: 24.25"/Max: 24.563" Min: 48.25"/Max: 48.563")	
Grid	G
Slot Tee	ST
(Consult factory for availability)	
Surface Mount	SM
<b>Shielding</b>	<b>PS</b>
Perforated Shield	PS
<b>Factory Options</b>	
Air Return	AR
Chicago Plenum	CP
Dust Cover	DC
Emergency Battery Pack*	EM
Positional Clip	EQ
HLR/GLR Fuse	FU
6' New York City Flex Whip	FNY
6' Flex Whip	FW
Include 3000K Lamp*	L830
Include 3500K Lamp*	L835
Include 4100K Lamp*	L841
Separate Circuit*	SC
<b>Finish</b>	<b>WH</b>
Matte White	WH

# Skylite® 2x4

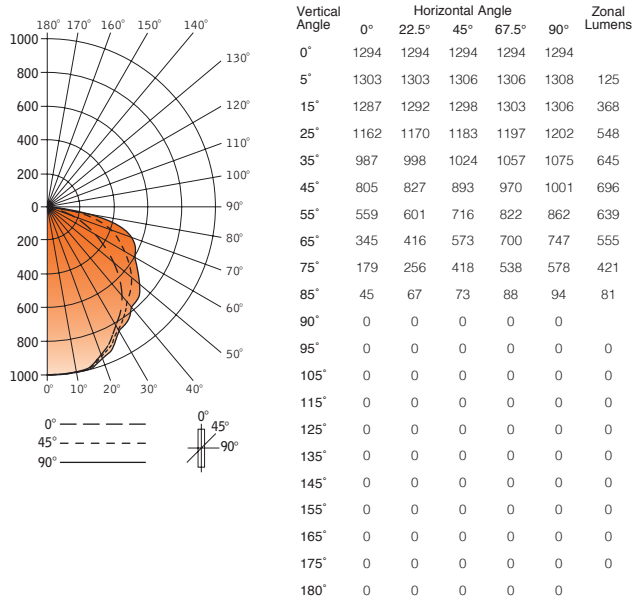
FLUORESCENT

## FBX-24-B-2-T8-E-120-G-PS-WH

Filename: FBX242T8.IES  
 Test #: 13445.0

Lumens: 4077lm  
 Efficiency 69%

### CANDLEPOWER DISTRIBUTION



### LUMEN SUMMARY

Zone	Lumens	% Lamp	% Fixture
0-30°	1040	17.6	25.5
0-40°	1685	28.6	41.3
0-60°	3020	51.2	74.1
0-90°	4077	69.1	100.0
<b>Total Luminaire 0-180°</b>	<b>4077</b>	<b>69</b>	<b>100.0</b>

### LUMINANCE DATA (cd/M²)

Vertical Angle	0°	45°	90°
45°	1620	1797	2014
55°	1387	1776	2138
65°	1162	1929	2515
75°	984	2298	3178
85°	735	1192	1535

### CO-EFFICIENTS OF UTILIZATION

Floor Ceiling Wall	80				70			20 50		30		10		00
	70	50	30	10	70	50	10	50	10	50	10	50	10	00
RCR 0	82	82	82	82	80	80	80	77	77	74	74	71	71	69
1	75	72	69	66	73	70	65	67	63	65	61	62	59	58
2	68	63	58	54	66	61	53	59	52	57	51	54	50	48
3	62	55	49	45	61	54	44	52	44	50	43	48	42	41
4	57	49	43	38	55	48	38	46	37	44	37	43	36	35
5	52	43	37	32	50	42	32	41	31	39	31	38	31	29
6	48	38	32	27	46	38	27	36	27	35	27	34	27	25
7	44	34	28	24	43	34	24	33	24	32	23	31	23	22
8	40	31	25	21	39	30	21	29	20	28	20	28	20	19
9	37	28	22	18	36	27	18	26	18	26	17	25	17	16
10	35	25	19	16	34	25	16	24	16	23	15	23	15	14

Numbers indicate percentage values of reflectivity.

Go to [www.focalpointlights.com](http://www.focalpointlights.com) for additional photometric data.