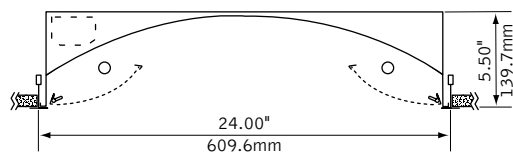


# Skylite® 2x2

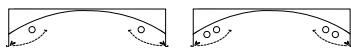
FLUORESCENT



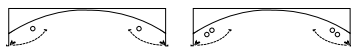
## DIMENSIONAL DATA



### lamping options



T8 LAMPS



T5/T5HO LAMPS

## FEATURES

2'x2' recessed indirect with perforated side baskets.

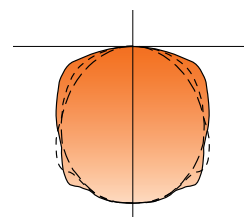
High reflectance, low gloss Matte White finish controls glare.

Perforated lamp shields swing down for easy relamping.

All luminaire combinations may be continuously row mounted.

Skylite® provides high angle uniform distribution ideal for general illumination.

## PERFORMANCE



2-Lamp T5HO  
**63% Efficient**  
**847 cd @ 25°**

### PRODUCT OVERVIEW

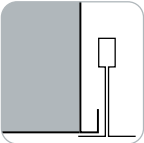
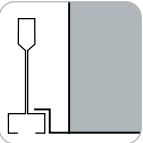
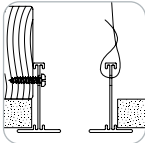
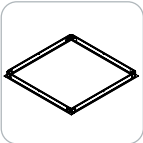
Lumen Output: 1711-4288lm  
 Wattage: 32-102W  
 Lamping: T5, T5HO

Visit [focalpointlights.com](http://focalpointlights.com) for complete photometric data.

fixture:

project:

## MOUNTING INFORMATION

<p><b>grid</b></p> <p>specify "G" for flat 9/16" and 15/16" tee or "ST" for 9/16" slot tee grid types.</p>		<p><b>drywall frame kit</b></p> <p>specify "F" Drywall Frame Kit for drywall ceiling conditions.</p>	
			
<p>"G" flat tee</p> <p>Luminaires cannot be installed in T-bar ceiling systems over 1.5".</p>	<p>"ST" slot tee</p>	<p>Use tie-wire or screws to secure frame kit.</p>	<p>cut out dimensions: 2': Min: 24.25" Max: 24.563"</p>

## SPECIFICATIONS

### Construction

One-piece 20 Ga. steel reflector and housing. 22 Ga. perforated shields with white acrylic lens insert. Shields are secured by spring latches that allow for easy relamping. Unit weight: 20 lbs.

### Optic

One-piece 20 Ga. steel reflector finished in Matte Satin White powder coat.

### Electrical

Electronic ballasts are thermally protected and have a Class "P" rating. Optional dimming ballasts available. Consult factory for dimming specifications and availability.

### Labels

UL and cUL listed.

### Finish

Polyester powder coat applied over a 5-stage pre-treatment.

## ORDERING

<b>Luminaire Series</b>		<b>FBX</b>
Skylite	FBX	
<b>Nominal Size</b>		<b>22</b>
2' x 2'	22	
<b>Distribution</b>		<b>B</b>
Bi-Directional	B	
<b>Lamp Quantity</b>		
Two Lamp	2	
Four Lamp	4	
<b>Lamp Type</b>		
T8	T8	
T5	T5	
T5HO	T5HO	
<b>Ballast</b>		
Electronic Program Start <10% THD	S	
0-10V	D7	
Lutron 1% 3-wire	DH	
Lutron 1% H-Series	DK	
<b>Voltage</b>		
120 Volt	120	
277 Volt	277	
347 Volt	347	
(Consult factory for dimming options)		
120/277 Volt	UNV	
(Cannot be specified with EM option)		
<b>Mounting</b>		
Drywall Frame Kit	F	
(Cut out dimensions: Min: 24.25"/Max: 24.563")		
Grid	G	
Slot Tee	ST	
Surface Mount	SM	
<b>Shielding</b>		<b>PS</b>
Perforated Shield	PS	
<b>Factory Options</b>		
Air Return	AR	
Chicago Plenum	CP	
Dust Cover	DC	
Emergency Battery Pack*	EM	
Positional Clip	EQ	
HLR/GLR Fuse	FU	
6' New York City Flex Whip	FNY	
6' Flex Whip	FW	
Include 3000K Lamp*	L830	
Include 3500K Lamp*	L835	
Include 4100K Lamp*	L841	
Separate Circuit*	SC	
<b>Finish</b>		<b>WH</b>
Matte White	WH	

# Skylite® 2x2

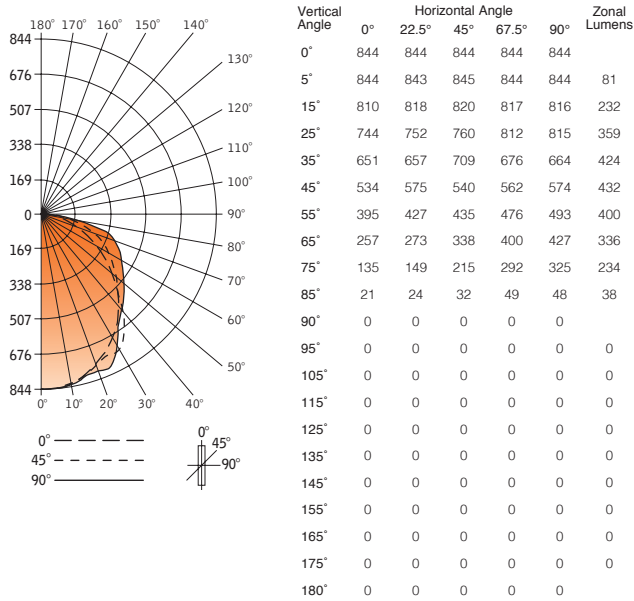
FLUORESCENT

## FBX-22-B-2-T5HO-E-120-G-PS-CR-WH

Filename: FBX22B2T5HOPS.IES  
 Test #: 11669.0

Lumens: 2000lm  
 Efficiency: 63%

### CANDLEPOWER DISTRIBUTION



### LUMEN SUMMARY

Zone	Lumens	% Lamp	% Fixture
0-30°	671	16.8	26.5
0-40°	1095	27.4	43.2
0-60°	1927	48.2	76.0
0-90°	2535	63.4	100.0
<b>Total Luminaire 0-180°</b>	<b>2535</b>	<b>63.4</b>	<b>100.0</b>

### LUMINANCE DATA (cd/m²)

Vertical Angle	0°	45°	90°
45°	2196	2220	2360
55°	2002	2205	2499
65°	1768	2325	2938
75°	1517	2415	3651
85°	701	1068	1601

### CO-EFFICIENTS OF UTILIZATION

Floor Ceiling Wall	80				70			20 50		30		10		00
	70	50	30	10	70	50	10	50	10	50	10	50	10	00
RCR 0	75	75	75	75	74	74	74	70	70	67	67	65	65	63
1	69	66	64	61	68	65	60	62	58	60	57	57	55	54
2	63	58	54	50	61	57	50	55	48	52	47	51	46	45
3	58	51	46	42	56	50	42	48	41	47	40	45	39	38
4	53	45	40	36	51	44	35	43	35	41	34	40	34	33
5	48	40	34	30	47	39	30	38	29	37	29	35	29	27
6	44	36	30	26	43	35	26	34	26	33	25	32	25	24
7	41	32	26	23	40	32	22	31	22	30	22	29	22	21
8	37	29	23	19	36	28	19	27	19	27	19	26	19	18
9	35	26	20	17	34	25	17	25	17	24	17	23	16	15
10	32	23	18	15	31	23	15	22	15	22	15	21	15	13

Numbers indicate percentage values of reflectivity.

Go to [www.focalpointlights.com](http://www.focalpointlights.com) for additional photometric data.