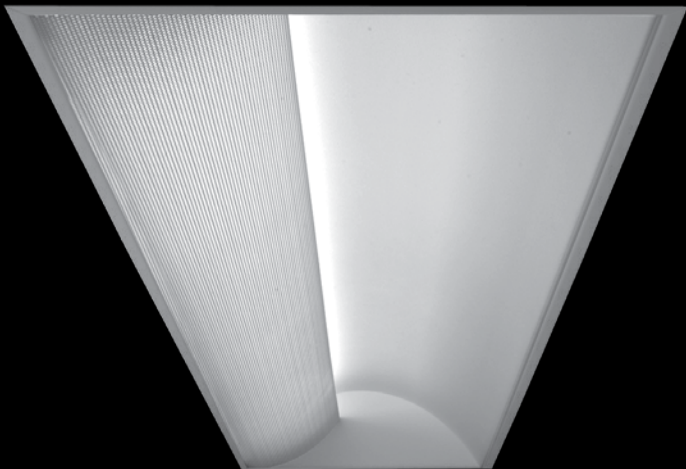
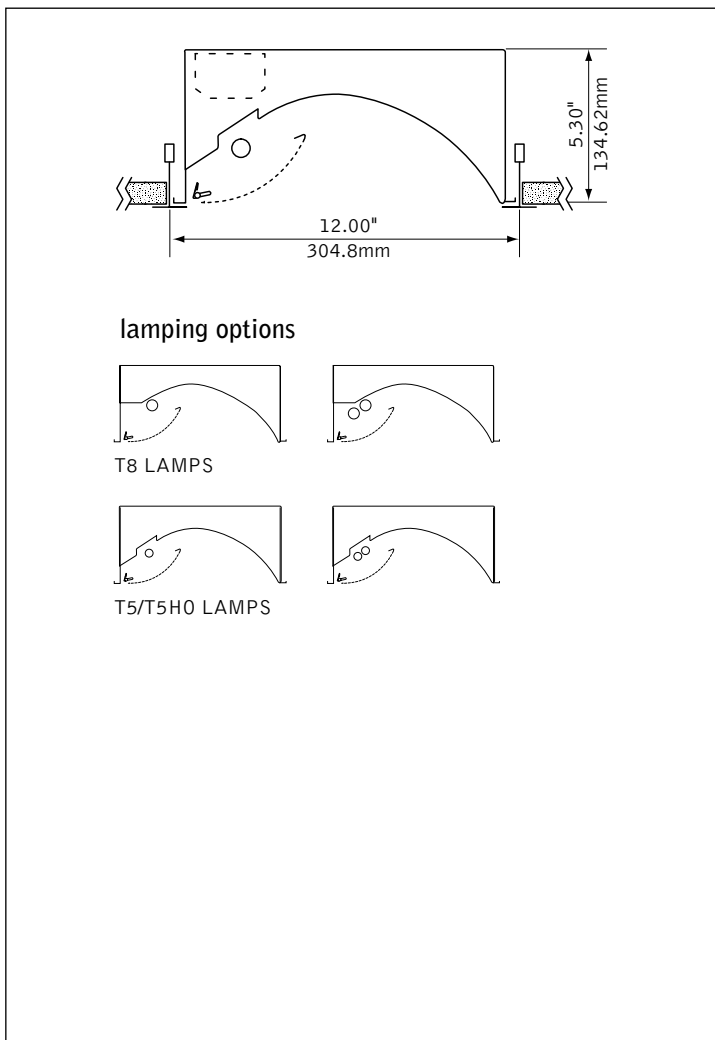


# Skylite® 1x4

FLUORESCENT ASYMMETRIC



## DIMENSIONAL DATA



## FEATURES

- 1'x4' recessed asymmetric indirect with perforated side basket.
- High reflectance, low gloss Matte White finish controls glare.
- Perforated lamp shield swings down for easy relamping.
- All luminaire combinations may be continuously row mounted.
- Asymmetric distribution illuminates corridors, conference rooms or any area where high angle vertical illumination is desired.

## PERFORMANCE

**PRODUCT OVERVIEW**

Lumen Output: 1786-6160lm  
 Wattage: 62-120W  
 Lamping: T5, T5HO, T8

1-Lamp T5HO  
 62% Efficient  
 1243 cd @ 25°

Visit [focalpointlights.com](http://focalpointlights.com) for complete photometric data.

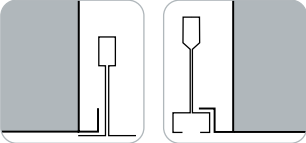
fixture:

project:

**MOUNTING INFORMATION**

**grid**

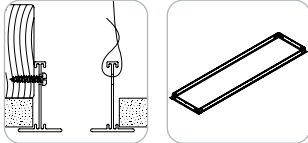
specify "G" for flat 9/16" and 15/16" tee or "ST" for 9/16" slot tee grid types.



"G" flat tee  
Luminaires cannot be installed in T-bar ceiling systems over 1.5" high in T8 lamp configurations.

**drywall frame kit**

specify "F" Drywall Frame Kit for drywall ceiling conditions.



Use tie-wire or screws to secure frame kit.

cut out dimensions:  
1': Min: 12.25"  
Max: 12.563"  
4': Min: 48.25"  
Max: 48.563"

**SPECIFICATIONS**

**Construction**

One-piece 20 Ga. steel reflector and housing. 22 Ga. perforated shields with white acrylic lens insert. Shield is secured by spring latches that allow for easy relamping. Unit weight: 18 lbs.

**Optic**

One-piece 20 Ga. steel reflector finished in Matte Satin White powder coat.

**Electrical**

Electronic ballasts are thermally protected and have a Class "P" rating. Optional dimming ballasts available. Consult factory for dimming specifications and availability.

**Labels**

UL and cUL listed.

**Finish**

Polyester powder coat applied over a 5-stage pre-treatment.

**ORDERING**

<b>Luminaire Series</b>	<b>Skylite</b>	<b>FBX</b>
	Skylite	FBX
<b>Nominal Size</b>	<b>1' x 4'</b>	<b>14</b>
	1' x 4'	14
<b>Distribution</b>	<b>Asymmetric</b>	<b>W</b>
	Asymmetric	W
<b>Lamp Quantity</b>	<b>One Lamp</b>	<b>1</b>
	Two Lamp	2
<b>Lamp Type</b>	<b>T8</b>	<b>T8</b>
	T5	T5
	T5HO	T5HO
<b>Ballast</b>	<b>Electronic Program Start &lt;10% THD</b>	<b>S</b>
	0-10V	D7
	Lutron 1% 3-wire	DH
	Lutron 1% H-Series	DK
<b>Voltage</b>	<b>120 Volt</b>	<b>120</b>
	277 Volt	277
	347 Volt	347
	<small>(Consult factory for dimming options)</small>	
	<b>120/277 Volt</b>	<b>UNV</b>
	<small>(Cannot be specified with 1-lamp T5HO dimming or EM option)</small>	
<b>Mounting</b>	<b>Drywall Frame Kit</b>	<b>F</b>
	<small>(Cut out dimensions: Min: 12.25"/Max: 12.563" Min: 48.25"/Max 48.563")</small>	
	Grid	G
	Slot Tee	ST
<b>Shielding</b>	<b>Perforated Shield</b>	<b>PS</b>
	Perforated Shield	PS
<b>Factory Options</b>	<b>Air Return</b>	<b>AR</b>
	Chicago Plenum	CP
	Dust Cover	DC
	Emergency Battery Pack*	EM
	Positional Clip	EQ
	HLR/GLR Fuse	FU
	6' New York City Flex Whip	FNY
	6' Flex Whip	FW
	Include 3000K Lamp*	L830
	Include 3500K Lamp*	L835
	Include 4100K Lamp*	L841
	Separate Circuit*	SC
<b>Finish</b>	<b>Matte White</b>	<b>WH</b>
	Matte White	WH

# Skylite® 1x4

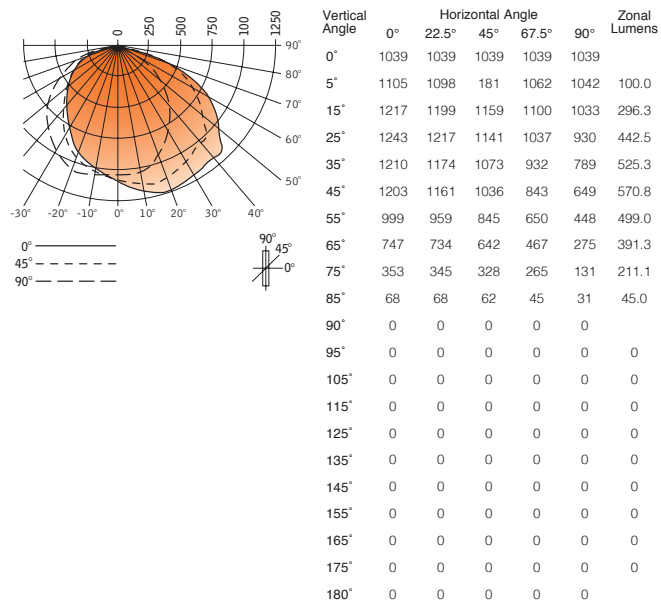
FLUORESCENT ASYMMETRIC

## FBX-14-W-1-T5HO-E-120-G-PS-WH

Filename: FBX14W1T5HPS.IES  
 Test #: 12535.0

Lumens: 3081lm  
 Efficiency: 62%

### CANDLEPOWER DISTRIBUTION



### LUMEN SUMMARY

Zone	Lumens	% Lamp	% Fixture
0-30°	839	16.8	27.2
0-40°	1364	27.3	44.3
0-60°	2434	48.7	79.0
0-90°	3081	61.6	100.0
<b>Total Luminaire 0-180°</b>	<b>3081</b>	<b>61.6</b>	<b>100.0</b>

Go to [www.focalpointlights.com](http://www.focalpointlights.com) for additional photometric data.